



PR1301US

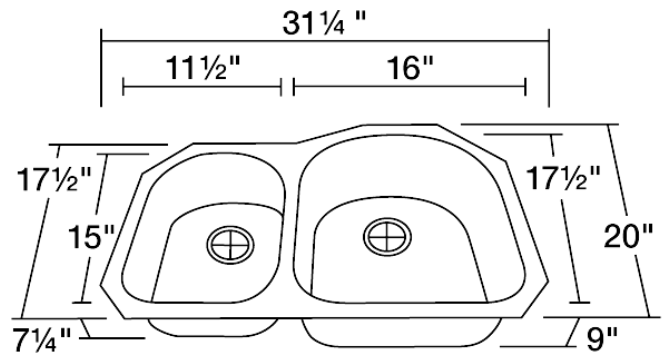
Stainless Steel Kitchen Sink

We are proud to introduce a new line of stainless steel kitchen sinks that have been made in the USA. This new collection of kitchen sinks is made from 300-series stainless steel. The surface has a brushed satin finish to help mask small scratches that occur over time and keep your sink looking beautiful for years. The overall dimensions of the PR1301US are 31 1/4" x 20" x 9" and a 33" minimum cabinet size is required. This sink contains a 3 1/2" offset drain and comes with sound-dampening pads. As always, our stainless steel sinks are covered under a limited lifetime warranty for as long as you own the sink.

Tech Specs

- 18-Gauge Steel
- Certified High-Quality 300 Series Stainless Steel
- Brushed Satin Finish
- Offset Drain
- Thick Sound Dampener Rubber Pad
- One-Piece Construction
- Cardboard Cutout Template Included
- Installation Hardware Included
- Lifetime Warranty

Dimensions



Accessories Available

