



P516

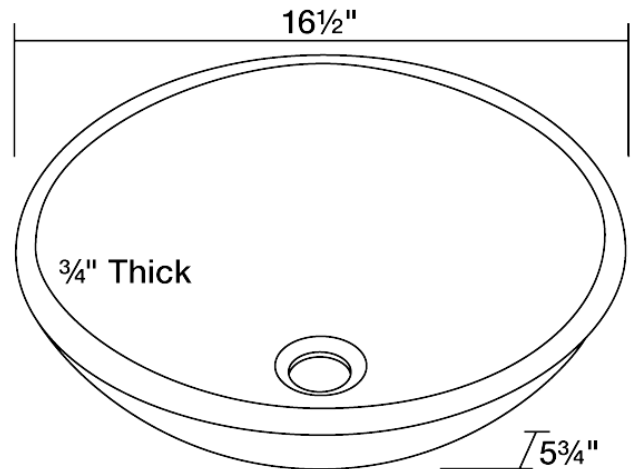
Hand Painted Glass Vessel Sink

The P516 hand painted glass vessel sink is manufactured using fully tempered glass. This allows for higher temperatures to come in contact with your sink without any damage. Glass is more sanitary than other materials because it is non-porous, will not absorb stains or odors and is easy to clean. This classic bowl-shaped vessel has been hand-painted with red and orange hues with a black band around the rim to add a touch of elegance to a sink that is sure to stand out in any bathroom. A matching glass waterfall faucet is available to correspond with this sink. The overall dimensions for the P516 are 16 1/2" x 16 1/2" x 5 3/4" and an 18" minimum cabinet size is required. As always, our glass sinks are covered under a limited lifetime warranty for as long as you own the sink.

Tech Specs

- Tempered Glass
- Lifetime Warranty
- Hand-Painted Glass Sink

Dimensions



Accessories Available

