



P229

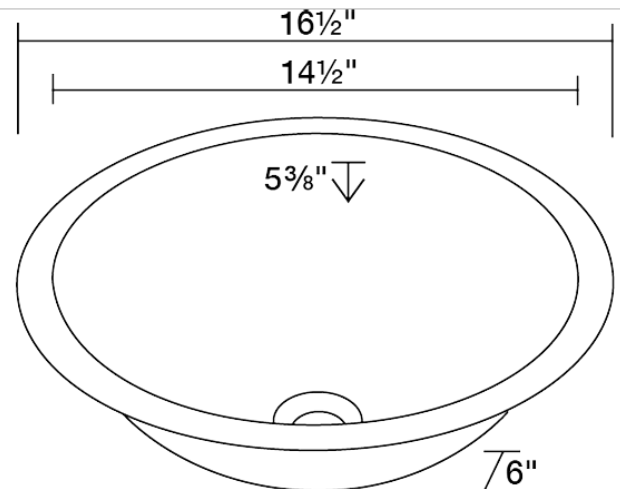
Single Bowl Copper Bathroom Sink

The P229 single bowl undermount, topmount or vessel sink is made from 99% pure-mined copper. It is comprised using one piece construction, giving you a very strong and durable copper sink. The polished finish adds a refined look to the sink; and since copper is naturally anti-bacterial and stain resistant, it is great for busy households that benefit from low-maintenance materials. The overall dimensions of the P229 are 16 1/2" x 16 1/2" x 6" with a centered drain and a required 18" minimum cabinet size. The hand-crafted copper details are sure to add warmth and richness to any decor.

Tech Specs

- Undermount, Topmount, or Vessel Installation
- Center Drain
- One-Piece Construction
- Naturally Antibacterial
- Cardboard Cutout Template Included
- Installation Hardware Included
- Lifetime Warranty

Dimensions



*Due to the handmade nature of this sink, dimensions may vary up to ~1/4"

Accessories Available

