

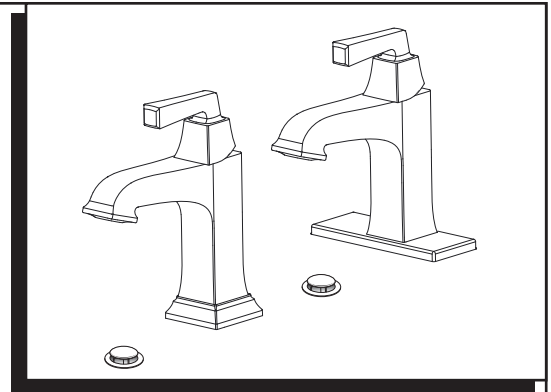
INSTALLATION INSTRUCTIONS

Town Square® S Monoblock Lavatory Faucet With Push Drain

7455.107
7455.114
7455.117

Thank you for selecting American Standard...
the benchmark of fine quality for over 140 years.

To ensure that your installation proceeds smoothly-please read these instructions carefully before you begin.



Certified to comply with ANSI A112.18.1M

RECOMMENDED TOOLS



Screwdriver



Channel Locks

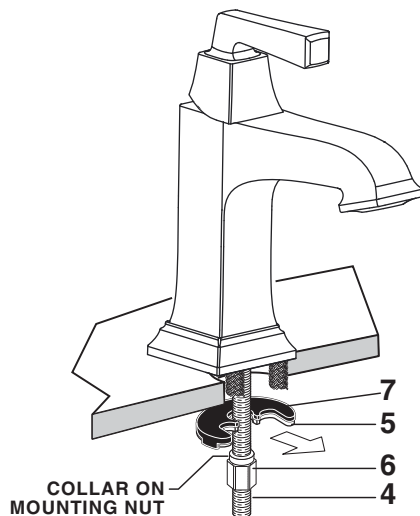
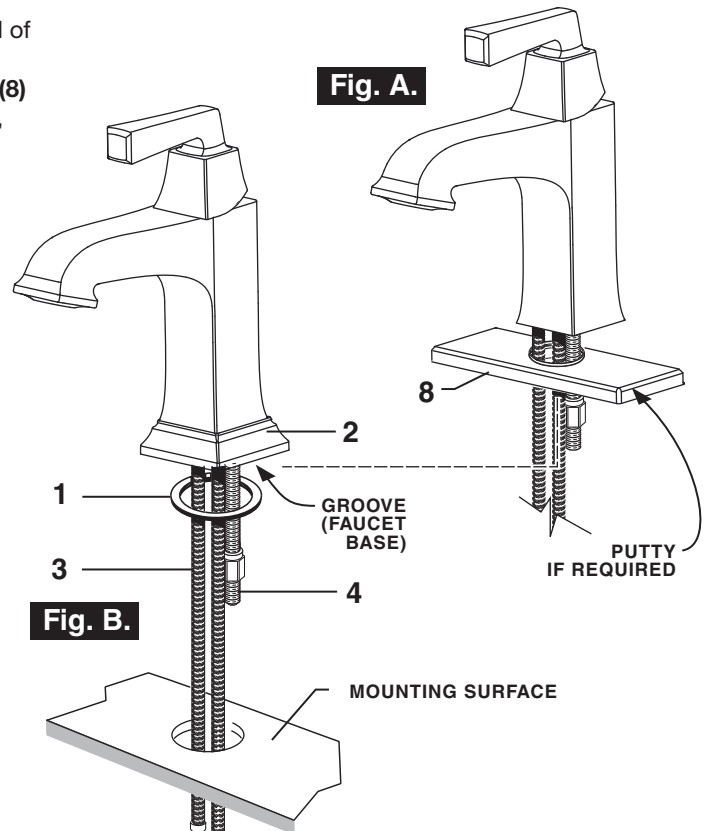


Adjustable Wrench

1 INSTALL FAUCET

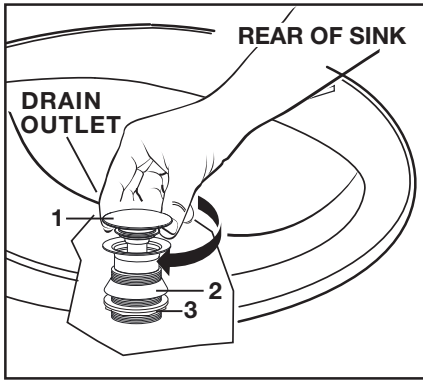
CAUTION Turn off hot and cold water supplies before beginning.

- **Installation with ESCUTCHEON PLATE:** Apply a light bead of plumbers putty to underside of ESCUTCHEON PLATE (8) if mounting surface is uneven. Place ESCUTCHEON PLATE (8) onto sink or mounting surface. Feed FAUCET SUPPLIES (3), MOUNTING STUD (4) through ESCUTCHEON PLATE and PUTTY PLATE and mounting hole of lavatory or mounting surface. **Fig. A.**
- **Installation less ESCUTCHEON PLATE:** Seat SEAL (1) into under side of FAUCET BASE (2).
- Feed FAUCET SUPPLIES (3), MOUNTING STUD (4) through the mounting hole of lavatory or mounting surface. **Fig. B.**



- From below, push GASKET (7) and RETAINING WASHER (5) onto MOUNTING STUD (4). Secure Faucet with MOUNTING NUT (6), pulling faucet to front of sink, so SUPPLIES (3) rests against mounting hole. Before final tightening, make sure collar on MOUNTING NUT (6) is seated into RETAINING WASHER (5). **Fig. C .**
- Adjust Faucet so that it is centered. Tighten MOUNTING NUT (6) to complete faucet mounting.

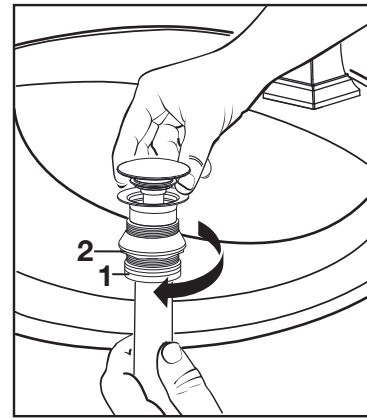
2 INSTALL DRAIN FROM BELOW FIXTURE



- Install DRAIN (1) by dropping it from the top of the sink.
- From under side of SINK install GASKET (2) and MOUNTING NUT (3).

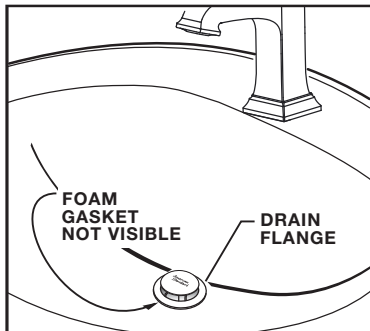
Note: Plumber's putty or caulk is recommended.

3



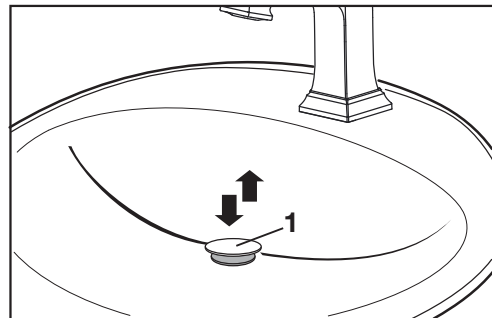
- Thread TAIL PIECE NUT (1) clockwise onto DRAIN BODY (2).

4 FLANGE GASKET AND POP-UP KNOB



- Check DRAIN FLANGE in SINK to ensure that FOAM GASKET (3) is fully compressed and not visible.

5 CHECK OPERATION OF POP-UP



- Operate DRAIN STOPPER (1) to verify that it opens and closes.

6 MAKE WATER SUPPLY AND WASTE CONNECTIONS

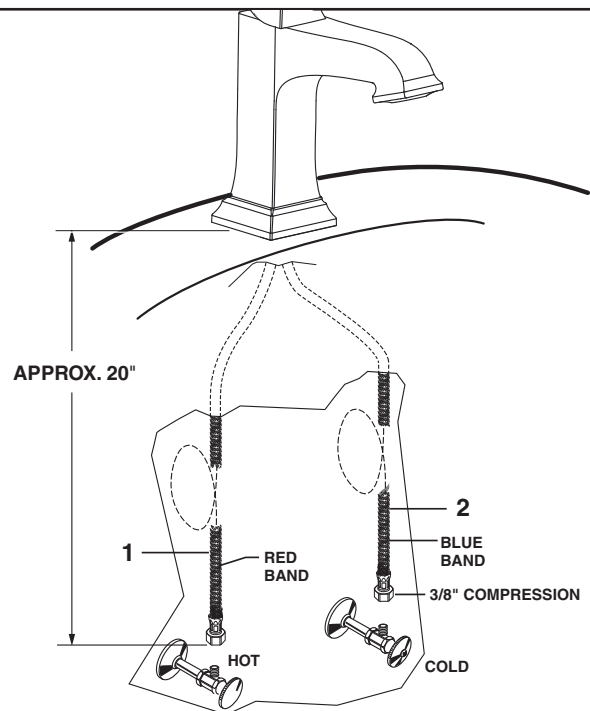
- Connect FLEXIBLE SUPPLIES (1, 2) directly to wall supplies. Connection on fitting supplies are 3/8" compression. Connect left SUPPLY (1) to Hot (Marked with a Red Band) and right supply to COLD (2) wall supply.

- Faucet supplies are 20" long from faucet base.

Note: If additional supply length is required, installer must purchase additional parts separately.

Important: If SUPPLY HOSES (1, 2) are to long, loop as illustrated to avoid kinking.

- Connect 1-1/4" O.D. tailpiece on POP-UP DRAIN to waste outlet.

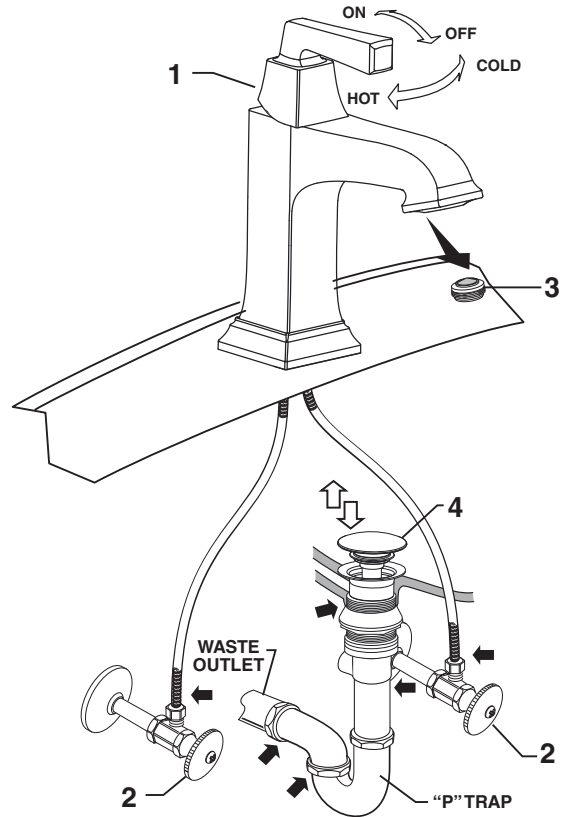


7 TEST INSTALLED FITTING

- With HANDLE (1) in OFF position, turn on WATER SUPPLIES (2) and check all connections for leaks.
- Remove AERATOR (3).
- Operate HANDLE (1) to flush water lines thoroughly.
- Replace AERATOR (3).

CHECK DRAIN CONNECTIONS

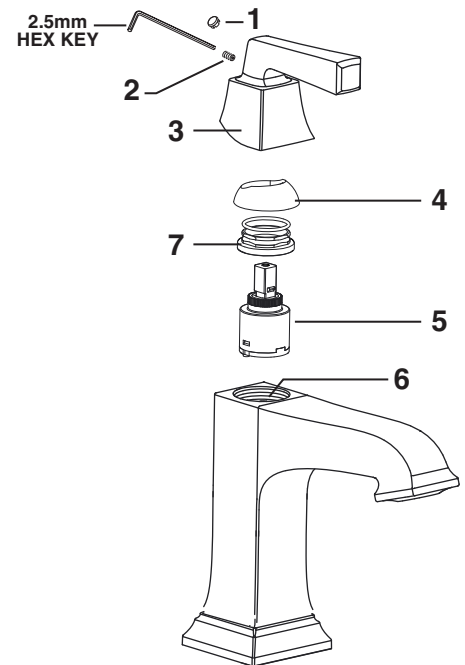
- Fill lavatory with water. Check that DRAIN STOPPER (4) makes a good seal and retains water in SINK.
- Release DRAIN STOPPER (4) down and check all drain connections and "P" trap for leaks. Tighten if necessary.



8 SERVICE

CAUTION Turn off hot and cold water supplies before beginning.

- To remove or replace cartridge:
 - Turn valve to OFF position.
 - Pull out INDEX (1).
 - Loosen SET SCREW (2). Pull off HANDLE (3).
 - Pull off CAP (4).
 - Remove the CARTRIDGE NUT (7).
 - Pull out CARTRIDGE (5).
 - Inspect CARTRIDGE (5) for debris and clean if necessary.
 - Clean MANIFOLD (6) and rinse clean.
 - Reinstall CARTRIDGE (5) onto MANIFOLD (6).
 - Reinstall CAP (4) and HANDLE ASSEMBLY (3).
- If spout drips, operate handle several times from OFF to ON and HOT to COLD position. Do not force



9 CARE INSTRUCTIONS:

- DO:** SIMPLY RINSE THE PRODUCT CLEAN WITH CLEAR WATER. DRY WITH A SOFT COTTON FLANNEL CLOTH.
- DO NOT:** DO NOT CLEAN THE PRODUCT WITH SOAPS, ACID, POLISH, ABRASIVES, HARSH CLEANERS, OR A CLOTH WITH A COARSE SURFACE.

American Standard

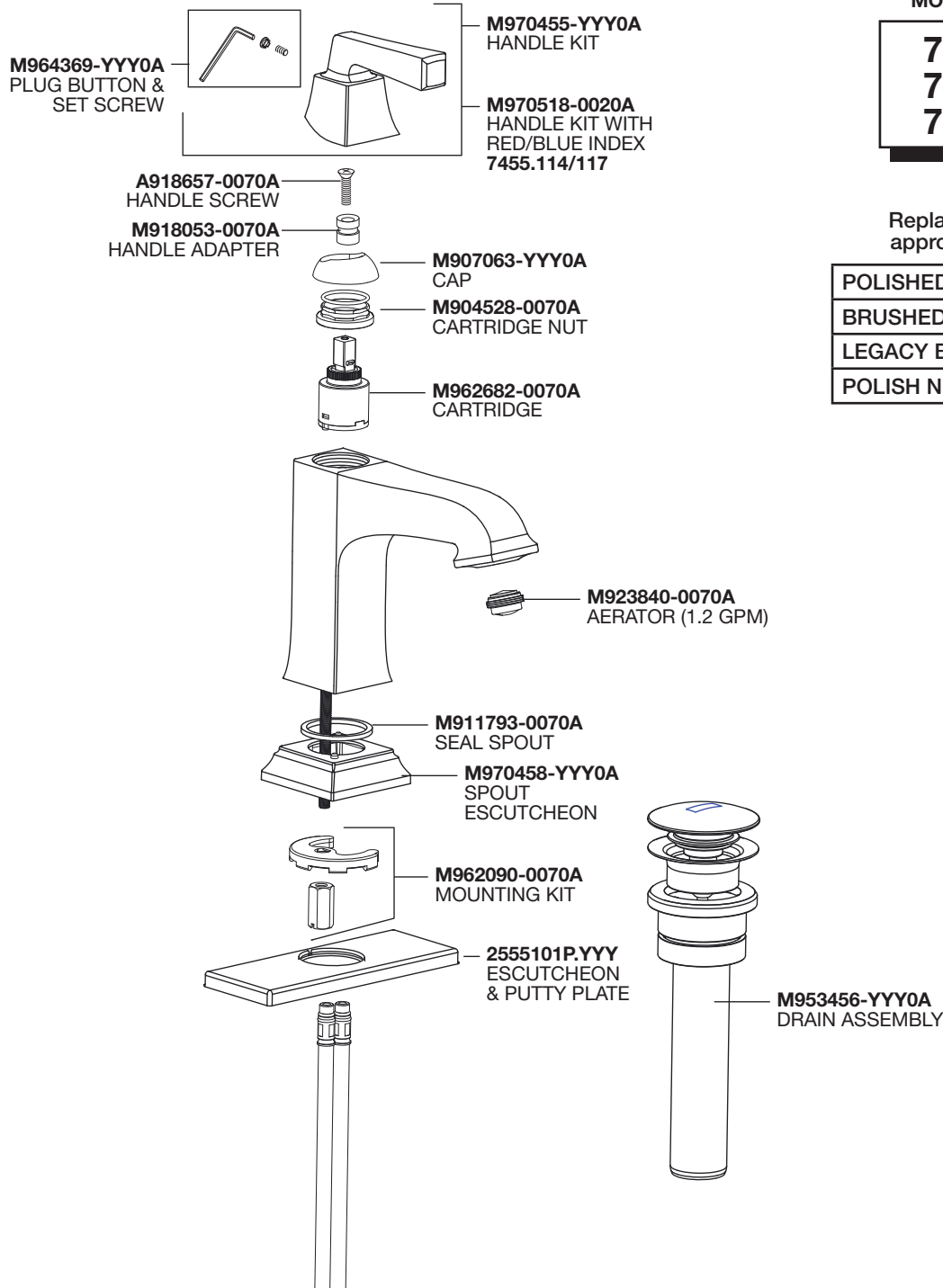
Town Square® S Monoblock Lavatory Faucet With Push Drain

MODEL NUMBERS

7455.107
7455.114
7455.117

Replace the "YYY" with appropriate finish code

POLISHED CHROME	002
BRUSHED NICKEL	295
LEGACY BRONZE	278
POLISH NICKEL	013



PART OF LIXIL

HOT LINE FOR HELP

For toll-free information and answers to your questions, call:
1 (800) 442-1902

Mon. - Fri. 8:00 a.m. to 8:00 p.m. EST

Saturday 10:00 a.m. to 4:00 p.m. EST

IN CANADA 1-800-387-0369

(TORONTO 1-905-306-1093)

Weekdays 8:00 a.m. to 7:00 p.m. EST

IN MEXICO 01-800-839-1200

