

American Standard

INSTALLATION INSTRUCTIONS

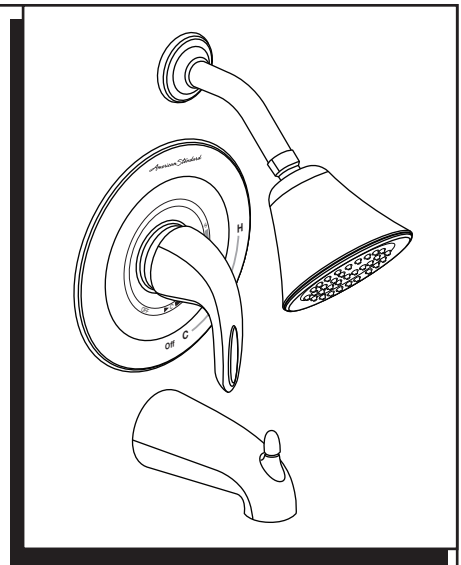
Reliant 3[®] Pressure Balancing Bath and Shower Trim Kit

Thank you for selecting American Standard... the benchmark of fine quality for over 140 years.

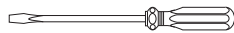
To ensure that your installation proceeds smoothly-please read these instructions carefully before you begin.

For use with shower heads rated at 4.9 L/min (1.3 gpm) or higher.

TU385500
TU385500WD
TU385501
TU385501XH
TU385501WDXH
TU385502
TU385502WD
TU385502WDXH

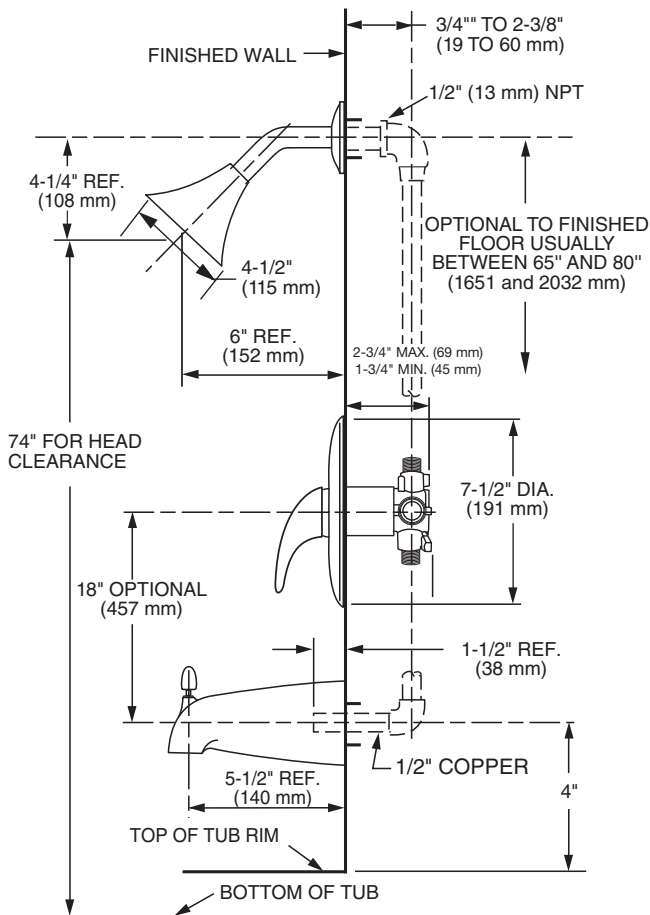


RECOMMENDED TOOLS



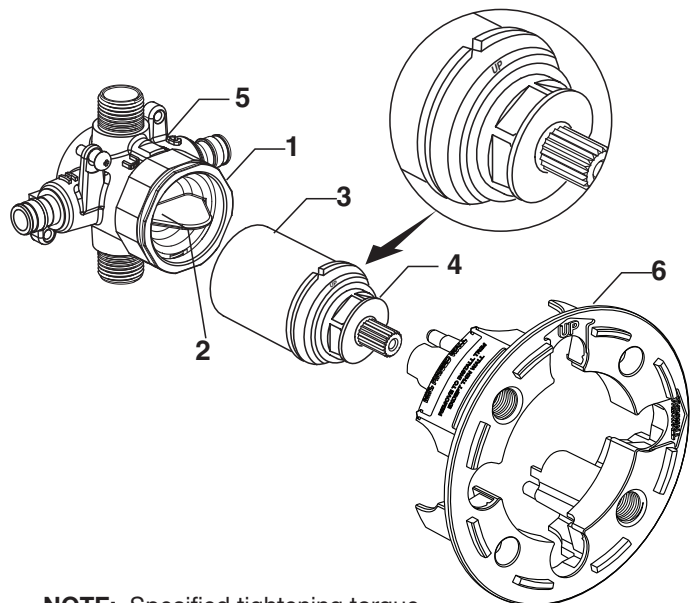
ROUGHING-IN DIMENSIONS

- To assure proper positioning in relation to wall. Note roughing-in dimensions.



1 CARTRIDGE INSTALLATION

- Remove **PLASTER GUARD (6)** (Keep it installed for thin wall Installation).
- Remove **BONNET NUT (1)** by unthreading it Counter clockwise. Remove test **CAP (2)**.
- Remove **PROTECTIVE HOUSING (3)** from **CARTRIDGE (4)**. Install with "UP" text on top.
- Reinstall **BONNET NUT (1)** onto **VALVE BODY (5)** and tighten firmly with 12 Nm or 9 lbs/ft.



NOTE: Specified tightening torque of **BONNET NUT (1)** is critical to assure sealing function.

2 STANDARD WALL INSTALLATION

- **Figure 1.** Remove plaster guard from valve. Push CAP (1) over VALVE CARTRIDGE (2) until seated against stop.
- **Figure 2.** Push ESCUTCHEON (3) onto CAP (1) and attach to valve body with LONG SCREWS (4).

THIN WALL INSTALLATION

- **Figure 1a.** Push CAP (1) over VALVE CARTRIDGE (2) until seated against stop.
- **Figure 2a.** Push ESCUTCHEON (3) onto CAP (1) and attach to valve body with LONG SCREWS (4).

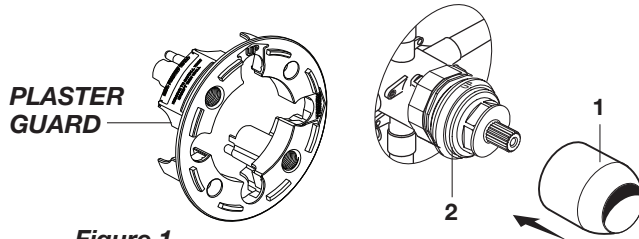


Figure 1.

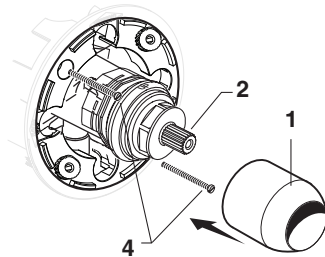


Figure 1a.

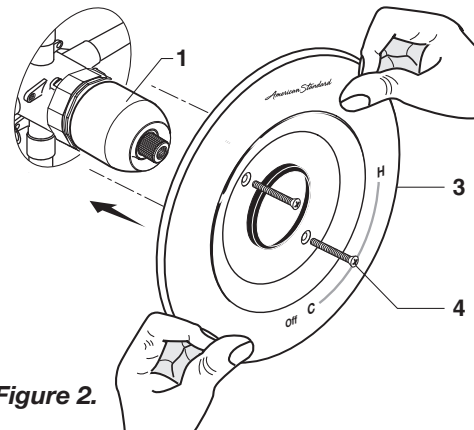


Figure 2.

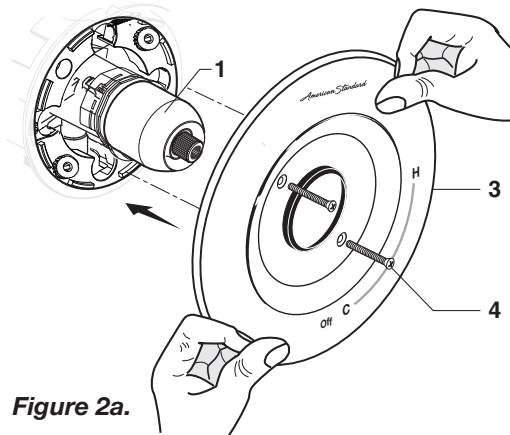
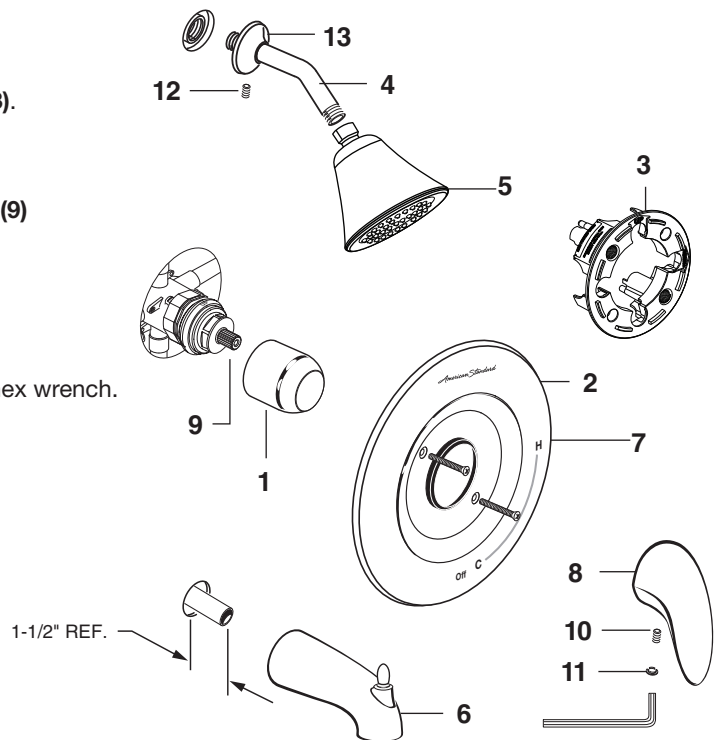


Figure 2a.

3 INSTALL TUB SPOUT, SHOWER HEAD, SHOWER ARM WITH FLANGE AND HANDLE

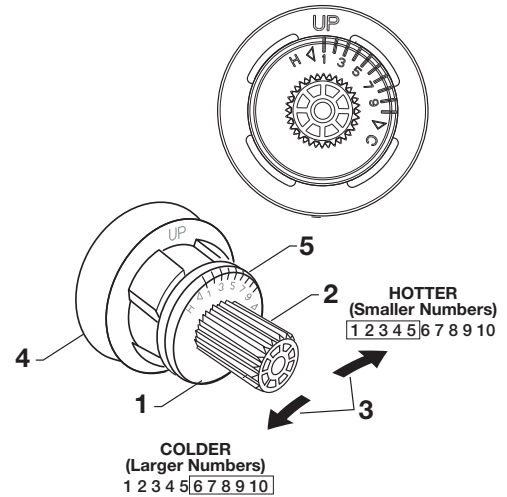
CAUTION Protect finish on SHOWER HEAD and TUB SPOUT when installing.

- When finished tiling the wall, remove PLASTER GUARD (3). Push on CAP (1).
- Mount ESCUTCHEON (2) and with SCREWS (7).
- Install HANDLE (8) by pushing it onto CARTRIDGE STEM (9) and tightening SET SCREW (10) from below with 2.5mm Hex Wrench supplied. Insert INDEX BUTTON (11).
- Remove cap from tub supply and plug from shower pipe.
- Install SHOWER ARM (4) and FLANGE (13).
- Tighten SET SCREW (12) onto FLANGE (13) using 5/64" hex wrench.
- Install SHOWER HEAD (5) onto SHOWER ARM (4).
- Install DIVERTER SPOUT (6).



4 ADJUST HOT LIMIT STOP

- By restricting HANDLE rotation and limiting the amount of hot water allowed to mix with the cold, the HOT LIMIT SAFETY STOP (1) reduces risk of accidental scalding. To set the maximum hot water temperature of your faucet valve, adjust the setting on the HOT LIMIT SAFETY STOP (1).
- Turn CARTRIDGE STEM (2) to the OFF position (coldest setting) before making adjustment to HOT LIMIT STOP (1). Pull forward and rotate counterclockwise one number to limit hot water temperature. Use NUMBERS (5) on CARTRIDGE (4) on HOT LIMIT STOP (1) for indication.



5 SERVICE

TO GAIN ACCESS TO VALVE FOR SERVICING

CAUTION Turn off hot and cold water supplies before beginning.

- Remove HANDLE (see step 3 and reverse).
- Remove ESCUTCHEON and CARTRIDGE CAP (see step 1 and reverse).

VALVE LEAKS WHEN SHUT OFF

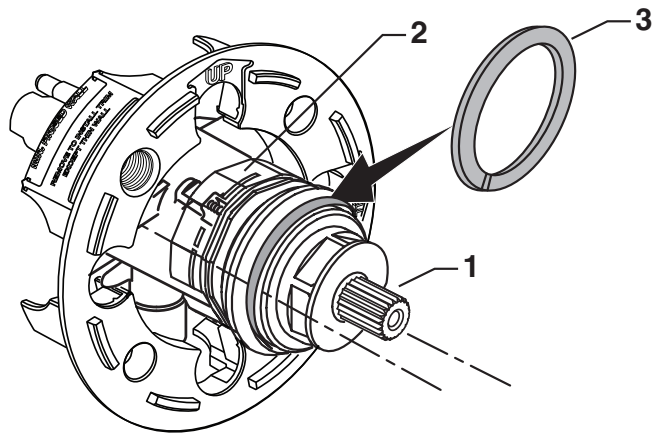
- Remove CARTRIDGE, see STEP 1 and STEP 2 and REVERSE process.
- Clean SEALS on the side of CARTRIDGE. Clean inside sealing surface of VALVE BODY.
- Re-assemble CARTRIDGE. Install trim. Turn on water supply and check for leaks.

REPLACING CARTRIDGE

- To remove CARTRIDGE (1), install split WASHER (3) between the ridge on the cartridge and the bonnet nut (only supplied with replacement cartridge) as shown.
- Proceed to unthread BONNET NUT (2) counter clockwise.
Note: CARTRIDGE (1) should be pulling out while unthreading BONNET NUT (2).
- Upon removal of the old Cartridge, install a new cartridge and secure it with BONNET NUT (Hand tighten).

BACK TO BACK INSTALLATION

- **NOTE:** Must purchase specialized back to back cartridge. (Part number M970640-0070A)
- Remove CARTRIDGE (1) as detailed in steps above.
- Install back to back cartridge.



6 CARE INSTRUCTIONS:

DO: SIMPLY RINSE THE PRODUCT CLEAN WITH CLEAR WATER. DRY WITH A SOFT COTTON FLANNEL CLOTH.

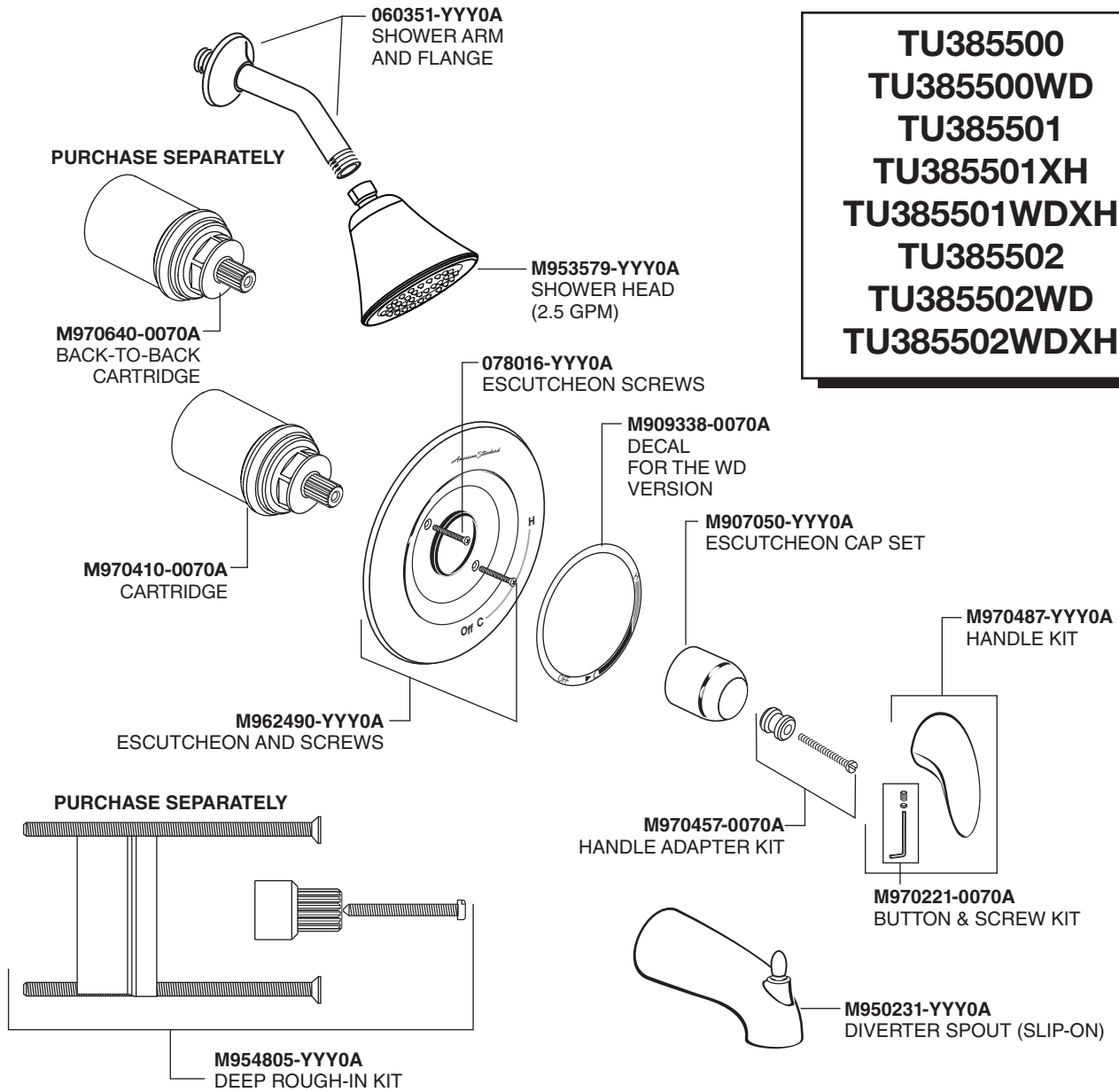
DO NOT: DO NOT CLEAN THE PRODUCT WITH SOAPS, ACID, POLISH, ABRASIVES, HARSH CLEANERS, OR A CLOTH WITH A COARSE SURFACE.

American Standard

Reliant 3[®]
Pressure Balancing
Bath and Shower
Trim Kit

MODEL NUMBER

TU385500
TU385500WD
TU385501
TU385501XH
TU385501WDXH
TU385502
TU385502WD
TU385502WDXH



Replace the "YYY" with
 appropriate finish code

POLISHED CHROME	002
BRUSHED NICKEL	295

PART OF **LIXIL**

HOT LINE FOR HELP

For toll-free information and answers to your questions, call:
 1 (800) 442-1902

Mon. - Fri. 8:00 a.m. to 8:00 p.m. EST
 Saturday 10:00 a.m. to 4:00 p.m. EST

IN CANADA 1-800-387-0369
 (TORONTO 1-905-306-1093)

Weekdays 8:00 a.m. to 7:00 p.m. EST

IN MEXICO 01-800-839-1200

