

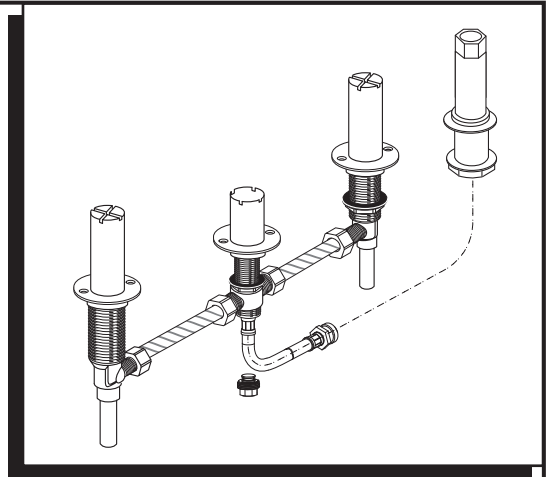
# INSTALLATION INSTRUCTIONS

## Flash™ Deck Mount Tub Systems Rough Valve Kit

**R900**  
**R910**

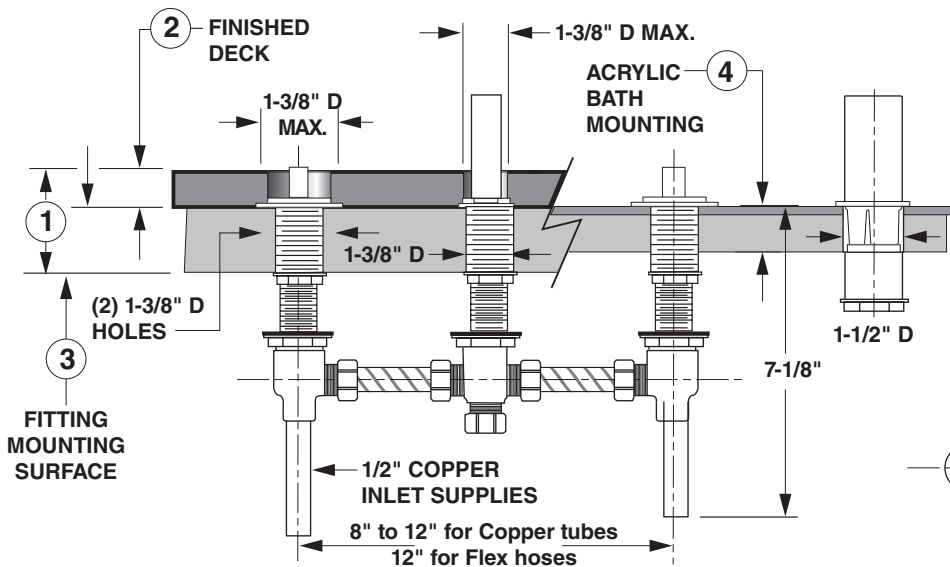
Thank you for selecting American-Standard... the benchmark of fine quality for over 140 years.

To ensure that your installation proceeds smoothly-please read these instructions carefully before you begin.



Certified to comply with ANSI A112.18.1  
U.S. Patent No. D403,750

### 1 ROUGHING-IN

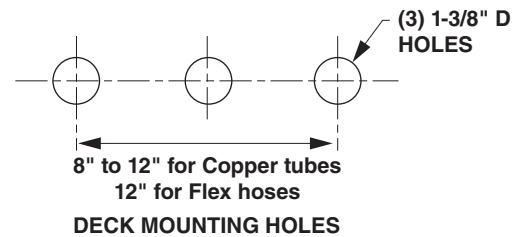


**1. DECK THICKNESS**  
TOTAL DECK THICKNESS  
UP TO 2-1/2"

**2. FINISHED DECK**  
FINISHED DECK VARIABILITY  
ACCOMMODATES DECKING  
MATERIAL (TILE, MARBLE,  
CORIAN®...) TO 1" THICK

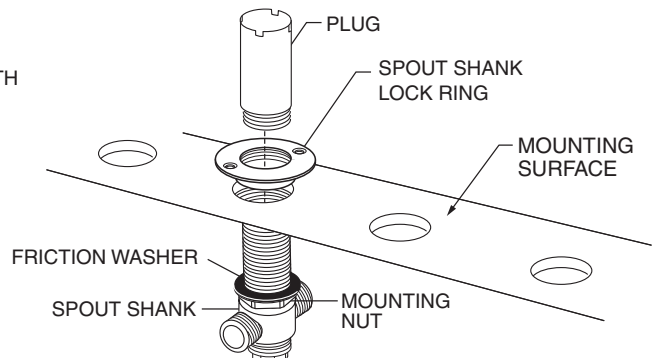
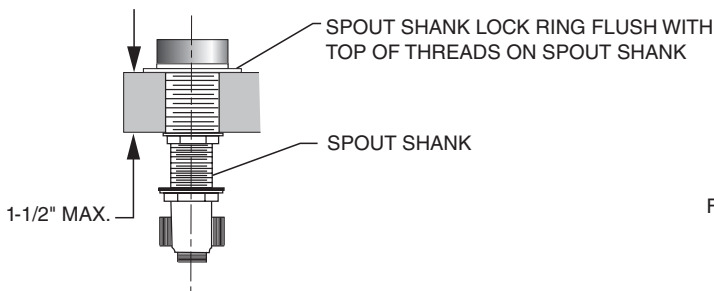
**3. FITTING MOUNTING SURFACE**  
ADJUSTABILITY, TO 1-1/2" THICK

**4. ACRYLIC BATHS**  
ADJUSTABILITY, TO 1-1/2" THICK



### 2 MOUNT SPOUT SHANK

- Drill holes in mounting deck as shown on STEP 1. The maximum allowable deck thickness is 1-1/2".
- Unthread PLUG from SPOUT SHANK.
- Insert the SPOUT SHANK through the mounting deck from below. Assemble the SPOUT SHANK LOCK RING so it is flush with the top of the threads on the SHANK.
- Tighten SPOUT SHANK MOUNTING NUT securely.
- Thread PLUG into SPOUT SHANK.



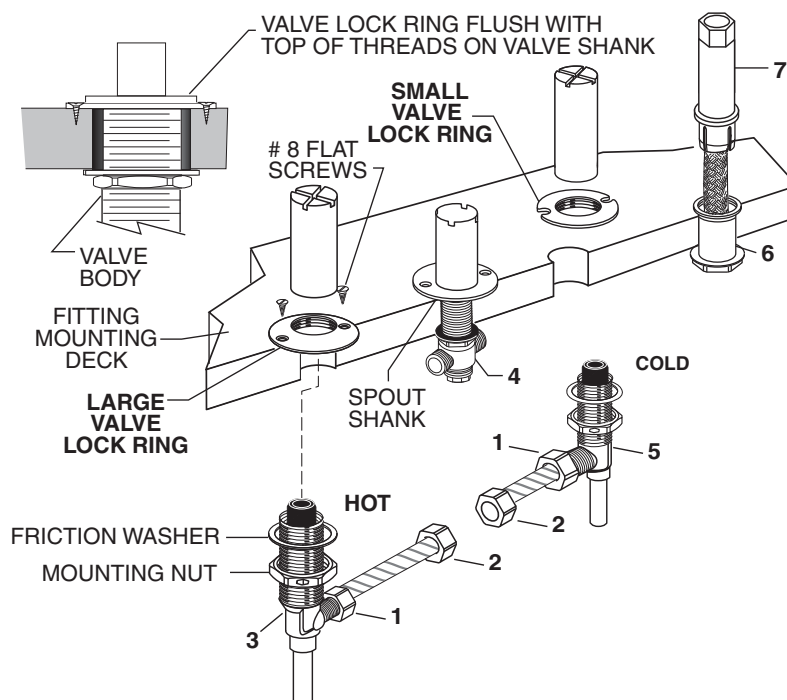
### 3 MOUNT SIDE VALVE BODIES

**NOTE: For unfinished surface use larger VALVE LOCK RING.**

**NOTE: For finished surface use small VALVE LOCK RING.**

Larger VALVE LOCK RING can be used on finished surface for Colony Pro, Quentin, Estate, Fitzgerald, and Studio S.

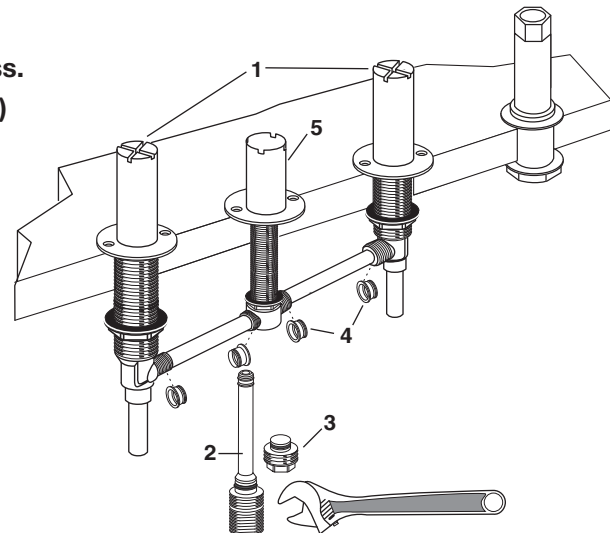
- Insert the HOT and COLD VALVE BODIES through the mounting deck from below. The HOT VALVE BODY is marked with a red label. Assemble the VALVE LOCK RINGS so they are flush with the top of the VALVE BODIES.
- Tighten the VALVE BODY mounting nuts securely.
- Fasten the VALVE LOCK RINGS to the unfinished surface with #8 flat screws (Not provided)
- Thread HOSE CONNECTOR (1) onto VALVE BODY (3, 5). Thread HOSE CONNECTOR (2) onto TEE (4). Tighten HOSE CONNECTOR (1) and (2) firmly.  
**Note: Hoses have different thread ends. Make sure to connect the fine thread to the Hot/cold valve bodies.**
- Insert HAND SHOWER SHANK (6) through mounting deck from top and secure it with MOUNTING NUT.
- Install HOSE and PLUG (7) from above deck.



### 3a FOR COPPER TUBE INSTALLATION (not supplied)

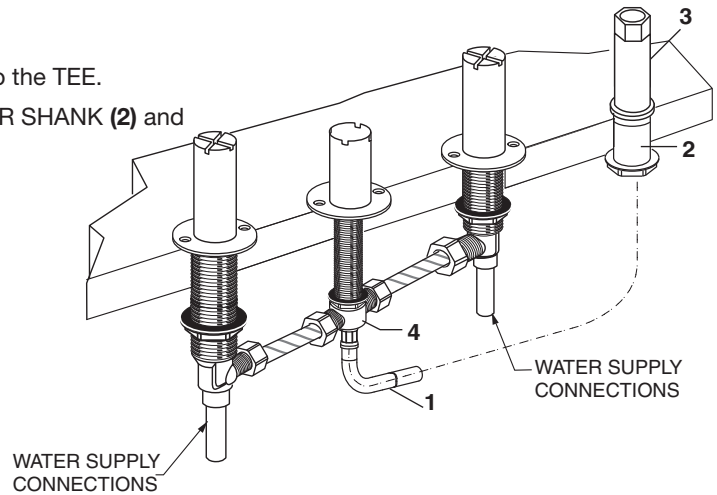
**NOTE: Remove cartridge to protect from brazing process.**

- Remove SLEEVES (1) from the SIDE VALVES and PLUG (5) from spout shank.
- Remove CARTRIDGES from the Side Valves (Follow instruction in Step 5 to remove Cartridges )
- Remove VALVE PIPE (2) if installing (R910) or remove VALVE PLUG (3) if Installing (R900)
- Take INSERTS (4) out from SIDE VALVES and TEE.
- Cut copper tubes as needed and braze joints.



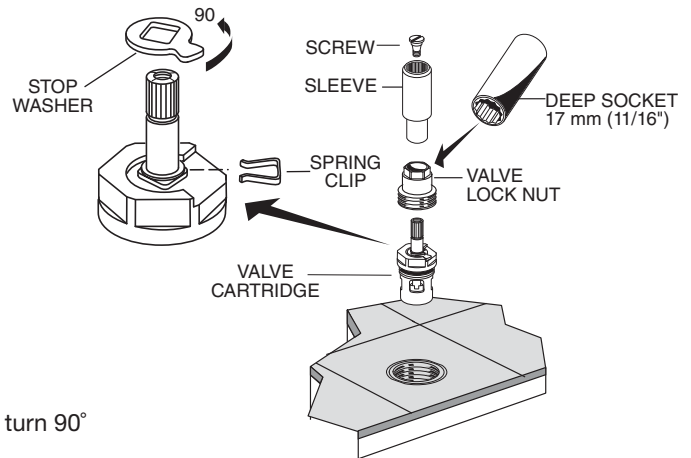
## 4 MAKING CONNECTIONS

- Connect the water supply lines to the VALVE BODY.  
For R910 installation, install HAND SHOWER HOSE (1) to the TEE.
- Insert HAND SHOWER HOSE (1) through HAND SHOWER SHANK (2) and thread HAND SHOWER HOSE (1) into TEE (4).
- Place HOSE PLUG (3) into HAND SHOWER SHANK (2).



## 5 SERVICE – TO CHANGE THE DIRECTION OF HANDLE ROTATION

- Turn off the water supplies.
- Turn HANDLE to the off position and remove HANDLE.
- Unthread SCREW from CARTRIDGE.
- Remove the SLEEVE from the CARTRIDGE.
- Unscrew the VALVE LOCK NUT and remove. (17 mm deep socket is required)
- Remove the CARTRIDGE.
- Remove the SPRING CLIP.
- Remove the STOP WASHER. Turn it 90° and replace.
- Replace the SPRING CLIP.
- Reverse the above steps to reassembly the components.
- If the spout drips, operate the handles several times from the off to the on position. Do not force - the handles only turn 90°

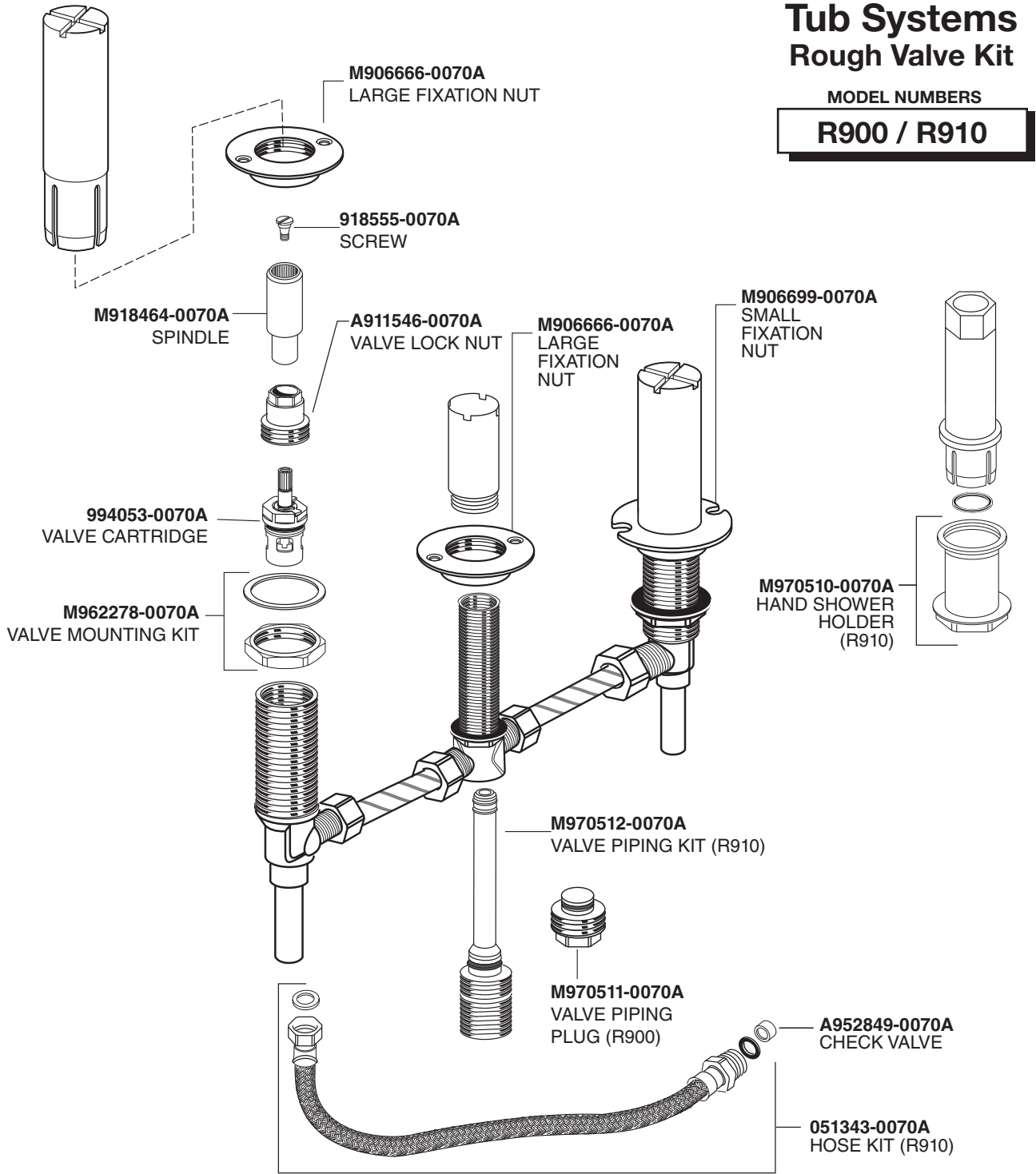


# American Standard

## Flash™ Deck Mount Tub Systems Rough Valve Kit

MODEL NUMBERS

**R900 / R910**



### HOT LINE FOR HELP

For toll-free information and answers to your questions, call:  
1 (800) 442-1902

Weekdays 8:00 a.m. to 6:00 p.m. EST

IN CANADA 1-800-387-0369

(TORONTO 1-905-306-1093)

Weekdays 8:00 a.m. to 7:00 p.m. EST

IN MEXICO 01-800-839-1200



PART OF **LIXIL**