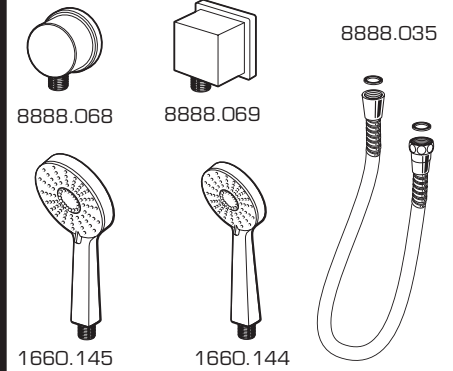


SHOWER SYSTEM ACCESSORIES

8888.068
8888.069
1660.145
1660.144
8888.035



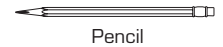
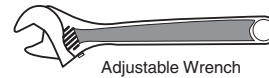
Thank you for selecting American-Standard...the benchmark of fine quality for over 100 years.

To ensure that your installation proceeds smoothly—please read these instructions carefully before you begin.

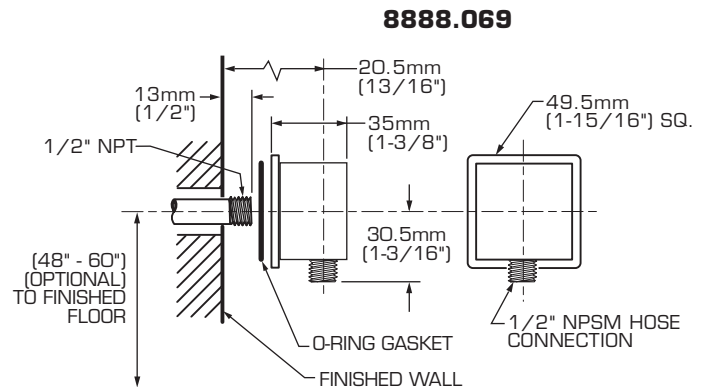
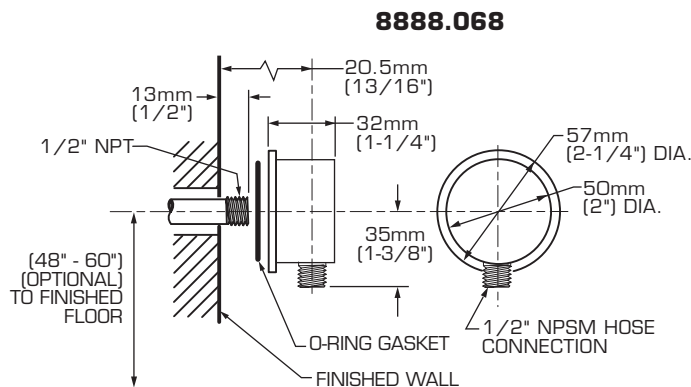
Certified to comply with ANSI A112.18.1

M965269

Recommended Tools & Materials

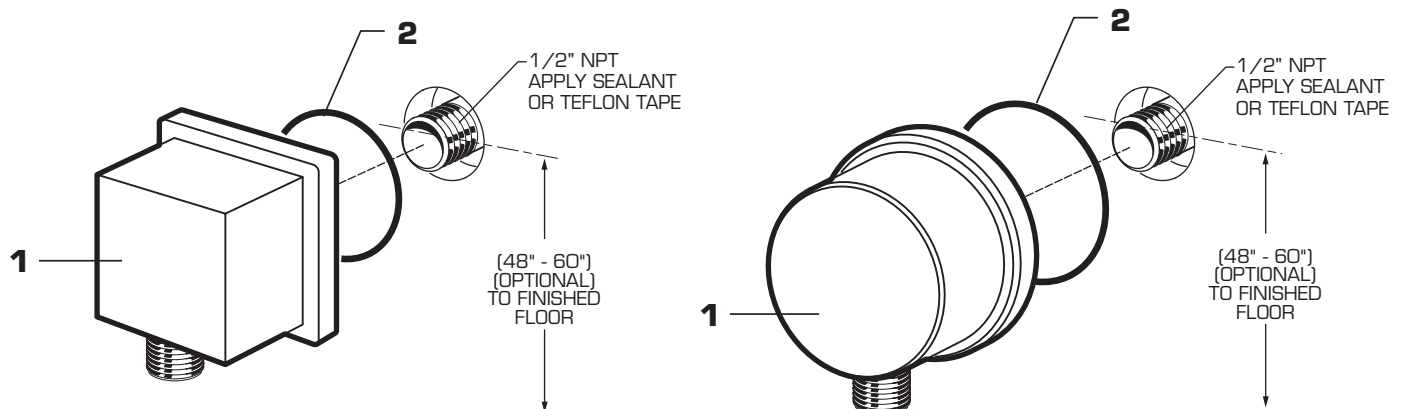


ROUGHING-IN DIMENSIONS



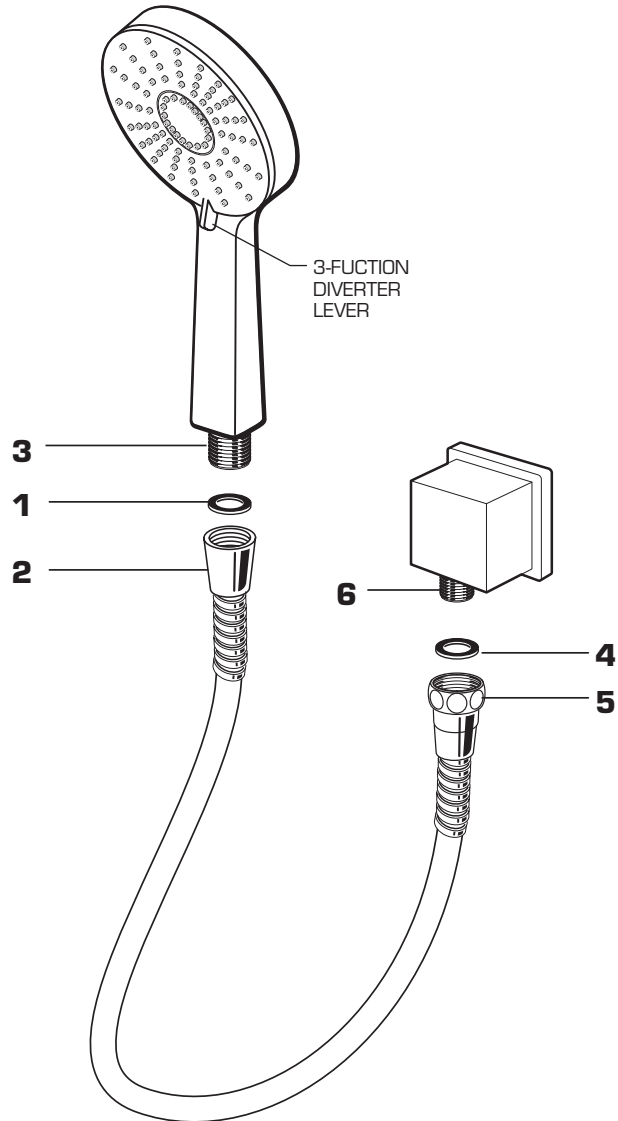
1 INSTALL WALL SUPPLY **CAUTION** Turn off hot and cold water supplies before beginning.

- WALL SUPPLY **(1)** is 1/2" NPT. *See rough-in above for detailed information.*
- Install O-RING **(2)** onto back of WALL SUPPLY **(1)**.
- Apply sealant or teflon tape to threads of 1/2" NPT supply nipple. Tighten ELBOW **(1)** onto the inlet pipe nipple with a smooth jaw wrench. WALL SUPPLY **(1)** should be tight against finished wall.



2 INSTALL HOSE AND HAND SHOWER TO WALL SUPPLY (8888.031 & 8888.032)

- Install SEAL (1) into SPRAY HOSE END (2) and connect HAND SHOWER (3) to SPRAY HOSE END (2). Hand tighten.
- Install SEAL (4) into HOSE END (5). Connect HOSE END (5) to WALL SUPPLY (6). Tighten with adjustable wrench. Do not over tighten.
- Turn on water and test HAND SHOWER (3).



3 CARE INSTRUCTIONS:

DO: SIMPLY RINSE THE PRODUCT CLEAN WITH CLEAR WATER. DRY WITH A SOFT COTTON FLANNEL CLOTH.

DO NOT: DO NOT CLEAN THE PRODUCT WITH SOAPS, ACID, POLISH, ABRASIVES, HARSH CLEANERS, OR A CLOTH WITH A COARSE SURFACE.



HOT LINE FOR HELP
For toll-free information and answers to your questions, call:
1-800 442-1902
Weekdays 8:00 a.m. to 8:00 p.m. EST
IN MEXICO 01-800-839-1200
IN CANADA 1-800-387-0369 (TORONTO 1-905-306-1093)
Weekdays 8:00 a.m. to 7:00 p.m. EST

Product names listed herein are trademarks of American Standard Inc.
© AS America, Inc. 2012

M965269