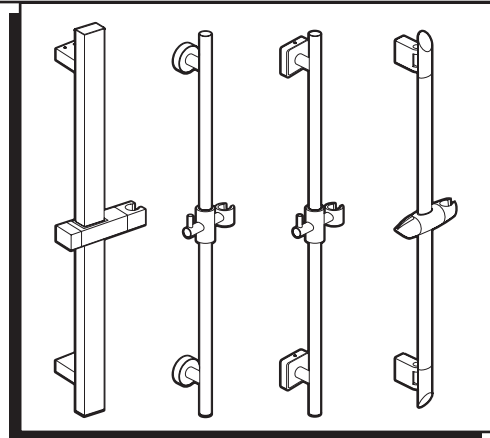


American Standard

SHOWER BAR KITS

Installation Instructions

1660 SERIES



Certified to comply with ANSI A112.18.1
M965259 REV. 1.1

Thank you for selecting American-Standard...the benchmark of fine quality for over 100 years.

To ensure that your installation proceeds smoothly—please read these instructions carefully before you begin.

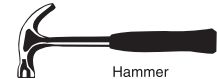
Recommended Tools & Materials



Tape Measure



Sealing Tape

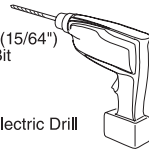


Hammer



Phillips Screwdriver

6mm (15/64")
Drill Bit



Electric Drill

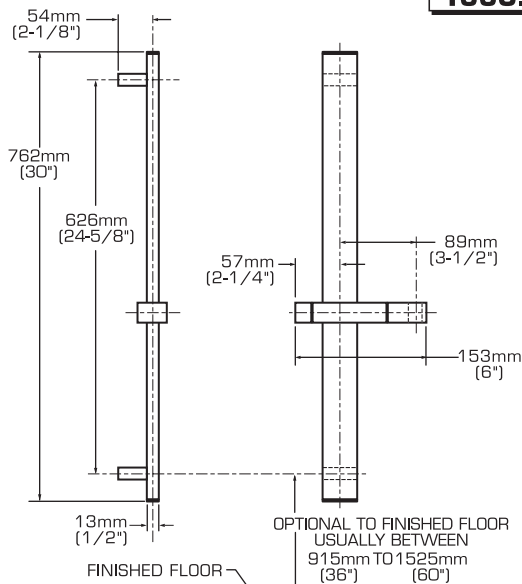
CARE INSTRUCTIONS:

DO: SIMPLY RINSE THE PRODUCT CLEAN WITH CLEAR WATER. DRY WITH A SOFT COTTON FLANNEL CLOTH.

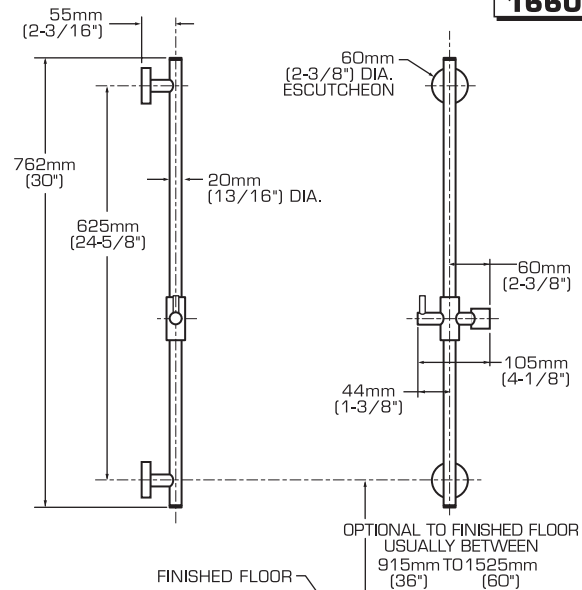
DO NOT: DO NOT CLEAN THE PRODUCT WITH SOAPS, ACID, POLISH, ABRASIVES, HARSH CLEANERS, OR A CLOTH WITH A COARSE SURFACE.

ROUGHING-IN DIMENSIONS

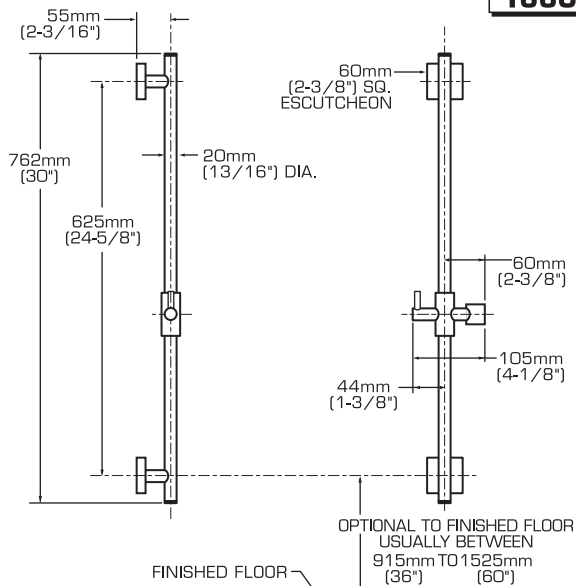
1660.230



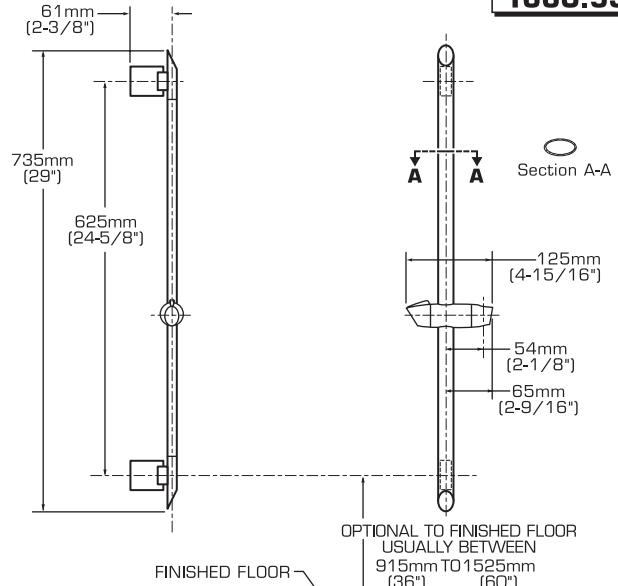
1660.330



1660.433



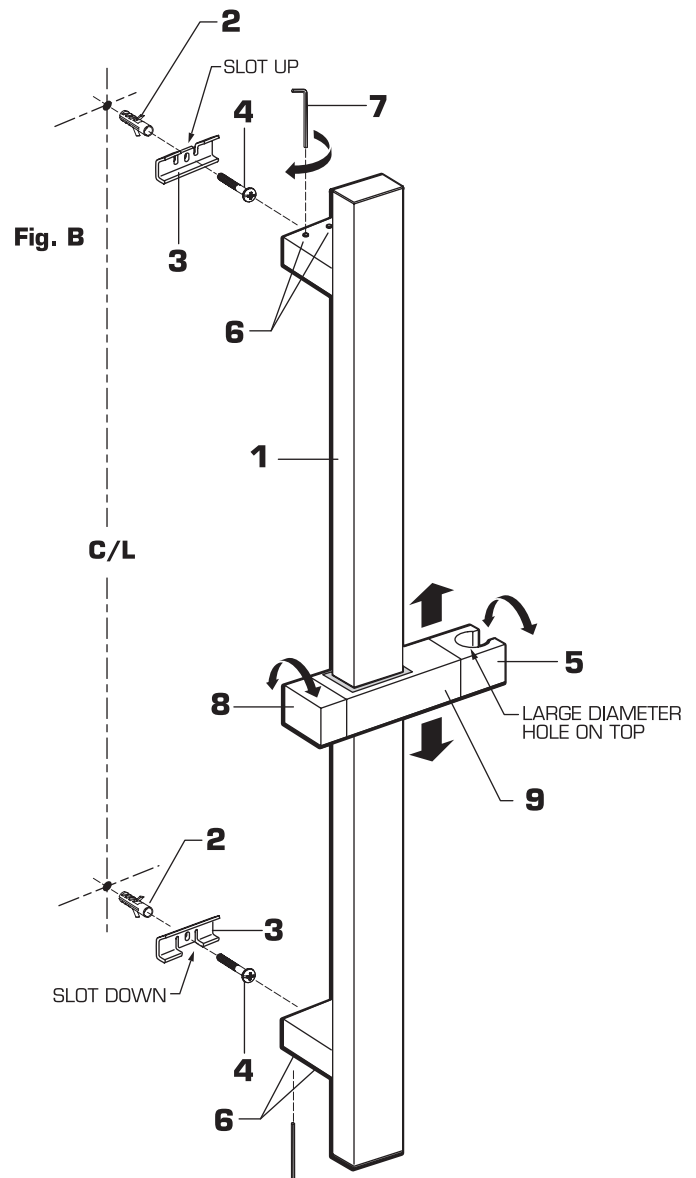
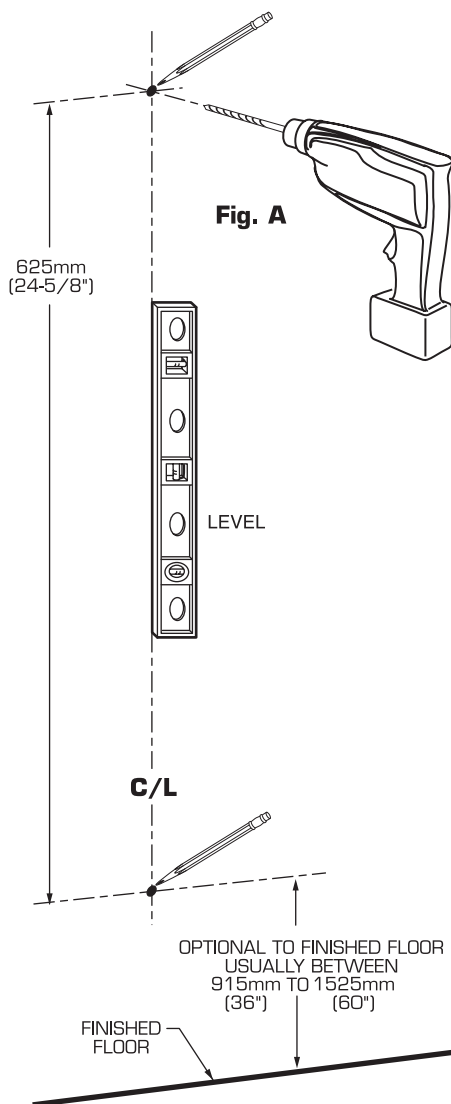
1660.530



1

INSTALLATION INSTRUCTIONS FOR 1660.230

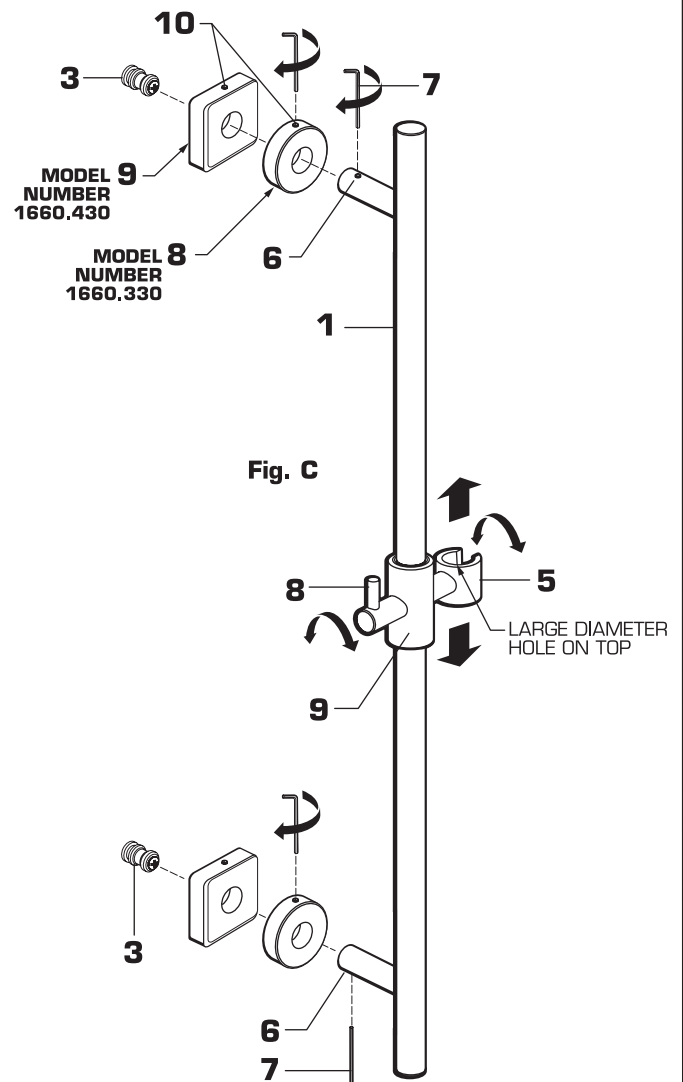
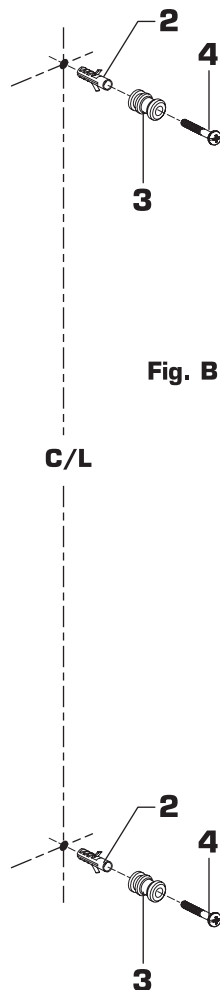
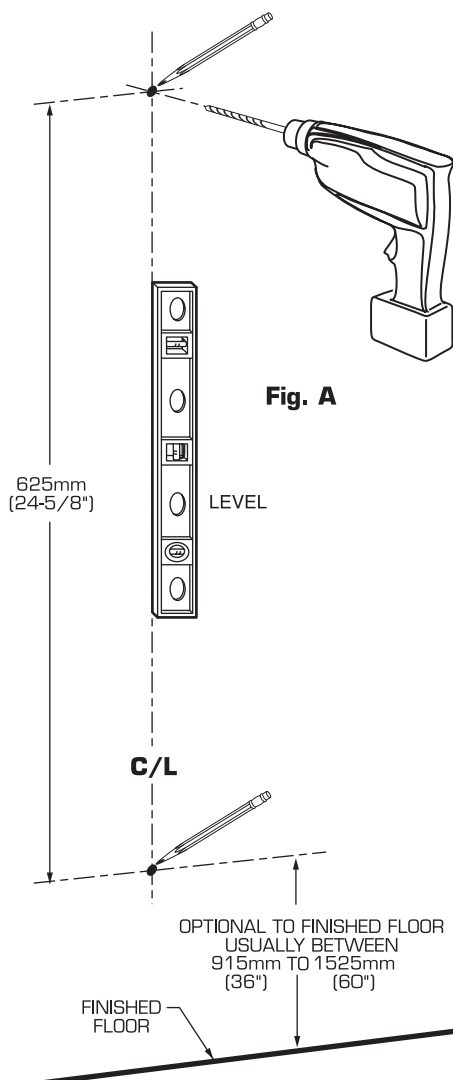
- The SLIDE BAR (1) works best when secured to the wall studs or cross brace using the WOOD SCREWS. If a mounting into the studs is not possible, use appropriate wall fasteners to secure the installation.
- Mark a vertical *center line* in the location you wish to install the SLIDE BAR (1). **NOTE: The height from the finished floor is optional. See rough-in drawing for suggested dimensions.**
- Determine desired height from the finished floor to the lower support and mark a horizontal center line. Measure up 625mm (24-5/8") and mark another horizontal center line marking the location of the two mounting holes to be drilled. **Fig. A.**
- Using 15/64" diameter drill. Drill two mounting holes 1-1/4" max. deep. **Fig. A.**
- Install the two ANCHORS (2) provided into the mounting holes. Use a hammer to lightly tap ANCHORS (2) into place. Make sure they are installed flush against the finished wall. **Fig. B.**
- Place the MOUNTING BRACKET (3) over the ANCHORS (2) and secure the MOUNTING BRACKET (3) with the SCREWS (4) provided. The top MOUNTING BRACKET (3) should have the slot facing up and lower MOUNTING BRACKET (3) should have the slot facing down. See illustration. **Fig. B.**
- Align and install the SLIDE BAR (1) onto the MOUNTING BRACKETS (3). **Important: Make sure the larger diameter hole in the HOLDER END (5) is on top. Rotate HOLDER END (5) 180° if it is not.** If SLIDE BAR (1) cannot be installed loosen MOUNTING BRACKETS (3) adjust, tighten and re-install SLIDE BAR (1). **Fig. B.**
- Hold SLIDE BAR (1) against finished wall. Tighten the four SET SCREWS (6) with the HEX WRENCH (7) supplied with SLIDE BAR (1). **Fig. B.**
- Check operation of SLIDE BAR (1) by rotating HAND SHOWER HOLDER KNOB (8) and moving HAND SHOWER HOLDER (9) up and down. Rotate KNOB (8) back to lock HAND SHOWER HOLDER (9). **Fig. B.**



1

INSTALLATION INSTRUCTIONS FOR 1660.330 & 1660.433

- The SLIDE BAR (1) works best when secured to the wall studs or cross brace using the WOOD SCREWS. If a mounting into the studs is not possible, use appropriate wall fasteners provided to secure the installation.
- Mark a vertical *center line* in the location you wish to install the SLIDE BAR (1). **NOTE: The height from the finished floor is optional. See rough-in drawing for suggested dimensions.**
- Determine desired height from the finished floor to the lower support and mark a horizontal center line. Measure up 625mm (24-5/8") and mark another horizontal center line marking the location of the two mounting holes to be drilled. **Fig. A.**
- Using 15/64" diameter drill. Drill two mounting holes 1-1/4" max. deep. **Fig. A.**
- Install the two ANCHORS (2) provided into the mounting holes. Use a hammer to lightly tap ANCHORS (2) into place. Make sure they are installed flush against the finished wall. **Fig. B.**
- Place the MOUNTING POSTS (3) over the ANCHORS (2) and secure with SCREWS (4) provided. **Fig. B.**
- Slide ROUND ESCUTCHEONS (8) or SQUARE ESCUTCHEONS (9) onto SLIDE BAR (1). **Fig. C.**
- Align and install the SLIDE BAR (1) onto the MOUNTING POSTS (3). **Important: Make sure the larger diameter hole in the SPRAY HOLDER END (5) is on top. Rotate HOLDER END (5) 180° if it is not. Fig. C.**
- Hold SLIDE BAR (1) against finished wall. Tighten the two SET SCREWS (6) with the HEX WRENCH (7) supplied with SLIDE BAR (1). Hold the Escutcheons (8 or 9) flush against the finished wall and tighten SET SCREW (10) with HEX WRENCH (7). **Fig. C.**
- Check operation of SLIDE BAR (1) by rotating HAND SHOWER HOLDER KNOB (8) and moving SLIDER (9) up and down. Rotate KNOB back to lock SLIDER (9). **Fig. C.**



1

INSTALLATION INSTRUCTIONS FOR 1660.530

- The SLIDE BAR (1) works best when secured to the wall studs or cross brace using the WOOD SCREWS. If a mounting into the studs is not possible, use appropriate wall fasteners to secure the installation.
- Mark a vertical *center line* in the location you wish to install the SLIDE BAR (1). **NOTE: The height from the finished floor is optional. See rough-in drawing for suggested dimensions.**
- Determine desired height from the finished floor to the lower support and mark a horizontal center line. Measure up 625 mm (24-5/8") and mark another horizontal center line marking the location of the two mounting holes to be drilled. **Fig. A.**
- Using 15/64" diameter drill. Drill two mounting holes 1-1/4" max. deep. **Fig. A.**
- Remove SCREWS (2) from the top and bottom SWIVEL MOUNTS (3). Pull off the SWIVEL MOUNTS (3) from the SLIDE BAR (1). **Fig. B.**
- Install the two ANCHORS (4) provided into the mounting holes. Use a hammer to lightly tap ANCHORS (4) into place. Make sure they are installed flush against the finished wall. **Fig. C.**
- Place the SWIVEL MOUNTS (3) over the ANCHORS (4) and secure with SCREWS (5) provided. **Fig. C.**
- Align and install the SLIDE BAR (1) onto the SWIVEL MOUNTS (3). **Important: Make sure the larger diameter hole in the HOLDER END (6) is on top. Rotate HOLDER END (6) 180° if it is not.** If SLIDE BAR (1) cannot be installed loosen SWIVEL MOUNTS (3) adjust, tighten and re-install SLIDE BAR (1). **Fig. D.**
- Install SCREWS (2). Do not over tighten. Slide bar (1) should rotate side to side with some resistance. Insert the four END CAPS (7) into the SWIVEL MOUNTS (3). **Fig. C.**
- Check operation of SLIDE BAR (1) by rotating HAND SHOWER HOLDER KNOB (8) and moving SLIDER (9) up and down. Rotate KNOB back to lock SLIDER (9).

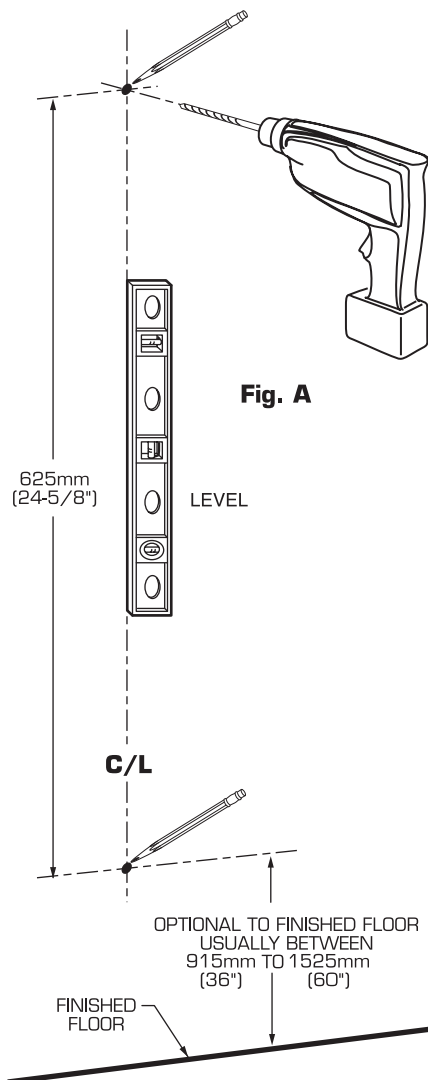


Fig. A

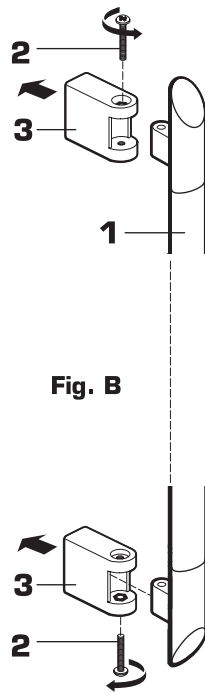


Fig. B

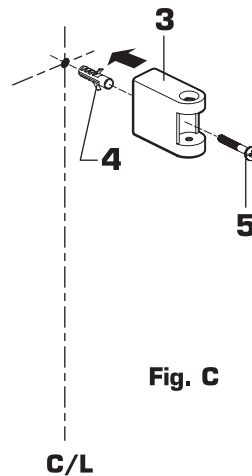
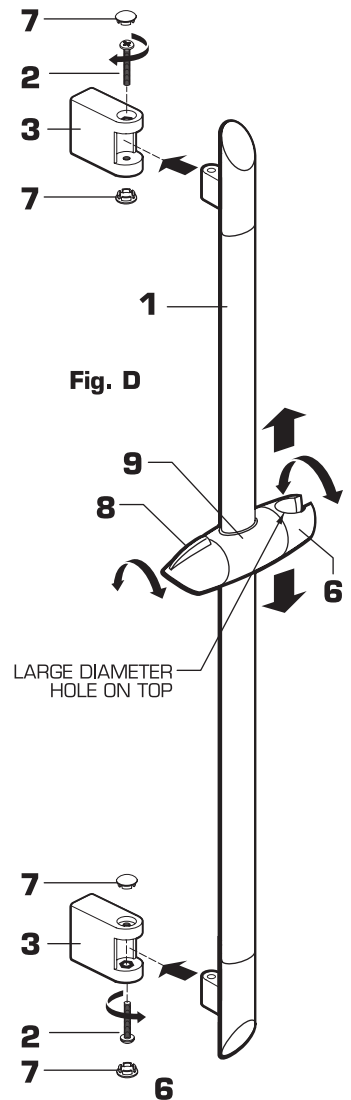
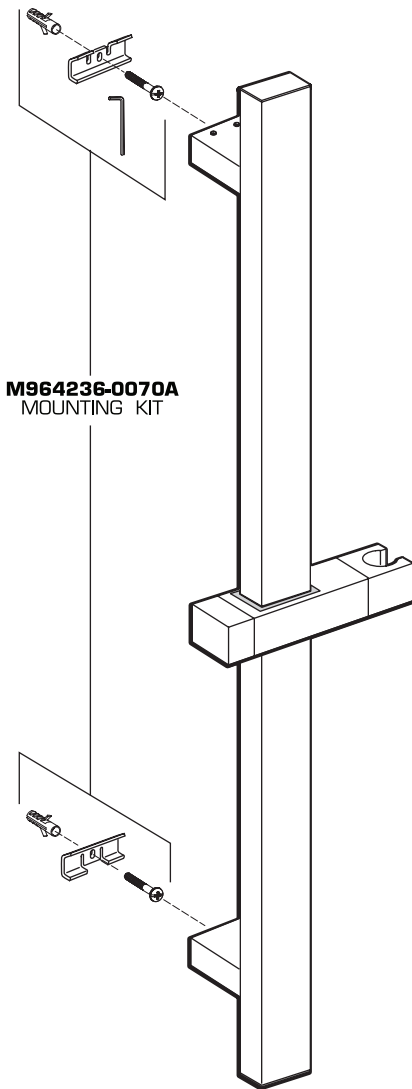


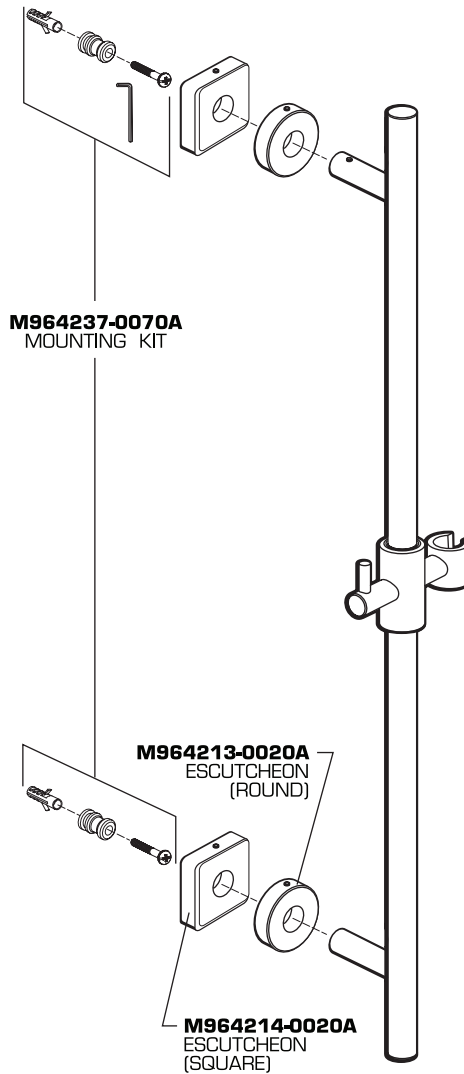
Fig. C



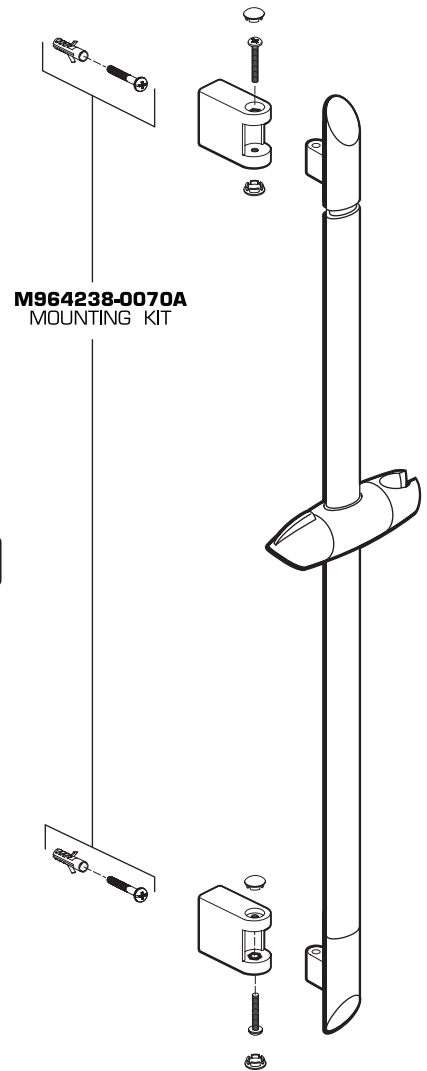
1660.230



1660.330 & 1660.433



1660.530



HOT LINE FOR HELP
For toll-free information and answers to your questions, call:
1-800 442-1902
Weekdays 8:00 a.m. to 8:00 p.m. EST
IN MEXICO 01-800-839-1200
IN CANADA 1-800-387-0369 (TORONTO 1-905-306-1093)
Weekdays 8:00 a.m. to 7:00 p.m. EST

Product names listed herein are trademarks of American Standard Inc.
© AS America, Inc. 2012