

Instructions for Models:

VS-123010
VS-123011
VS-123014
VS-122007

Need Help?

For additional assistance or service call:

SPEAKMAN Company
400 Anchor Mill Road
New Castle, DE 19720

PHONE: 800-537-2107
EMAIL: customerservice@speakmancompany.com
WEB: www.speakmancompany.com

VS-12XXXX-IOM-R1

What You Need To Know:

Tools:

Required:

Adjustable
Wrench



Teflon
Tape



Important Notes:

Be sure to read instructions thoroughly before beginning installation. Do not overtighten any connections or damage may occur.

Safety Tips:

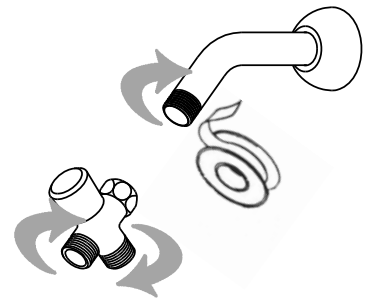
This item is NOT designed for use as a grab bar. Do not mount in locations where product is likely to be used as a grab bar.

Cover your drain to prevent loss of parts.

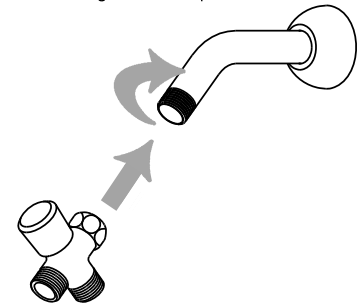
Maintenance:

Keep your Speakman product looking new by cleaning it periodically with a soft cloth. Avoid abrasive cleaners, steel wool, and harsh chemicals as these will dull the finish and void your warranty.

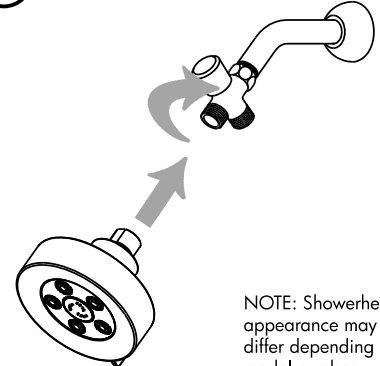
1 Apply Teflon Tape in a clockwise direction to all threaded connections.



2 NOTE: Inspect Diverter to be sure Sealing Washer is in place within Coupling Nut.
Thread Coupling Nut of Diverter onto Shower Arm. Tighten with Adjustable Wrench.



3 Thread Fixed Showerhead onto front outlet of Diverter. Tighten with Adjustable Wrench.



NOTE: Showerhead appearance may differ depending on model number.

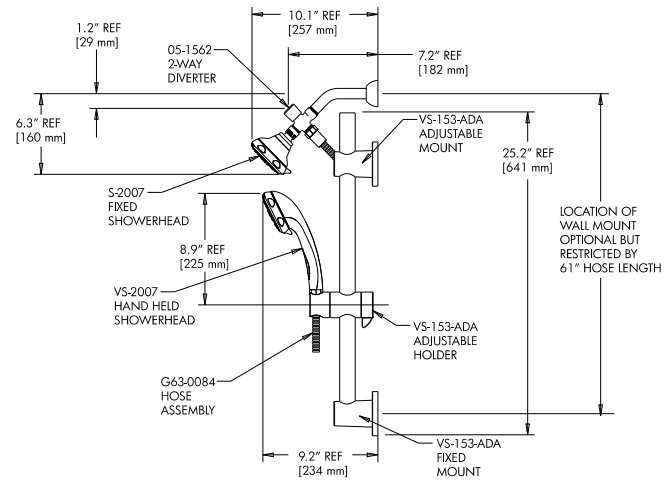
7 Adjust Hand Shower to desired height by rotating bracket handle clockwise. Move to desired height and tighten bracket by rotating handle counter clockwise.

8 Turn on water supply and check all threaded connections for leaks. If leaks occur tighten connection with an adjustable wrench or by hand.

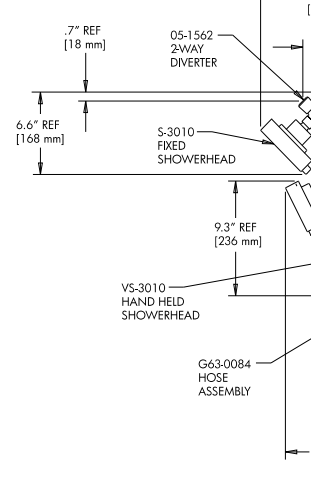
9 Check Diverter for proper operation by pulling up on knob to activate Hand Shower. Then press down on knob to activate Fixed Showerhead.

Rough-In

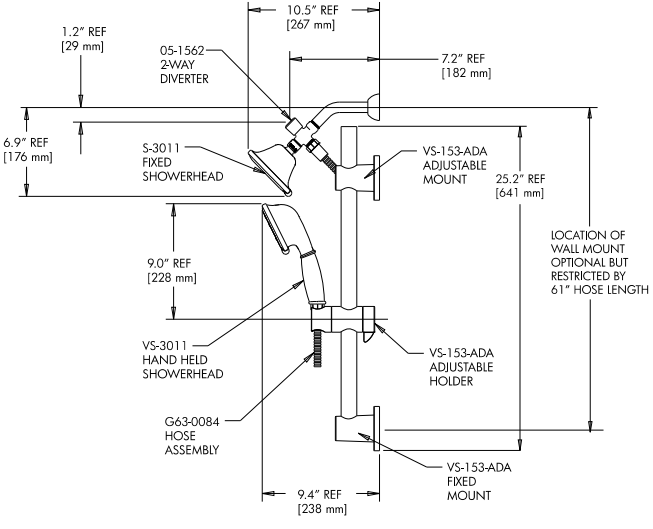
VS-122007-RI



VS-12



VS-123011-RI



VS-12

