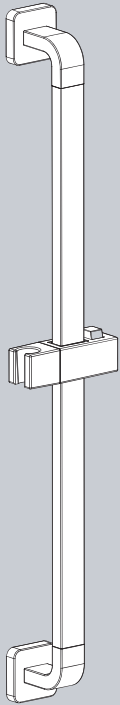


INSTRUCTIONS FOR MODELS

SA-2402



NEED HELP?

For additional assistance or service please contact:

**SPEAKMAN®** Company  
400 Anchor Mill Road  
New Castle, DE 19720

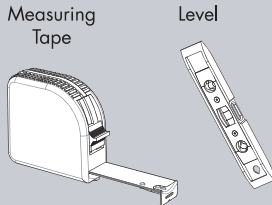
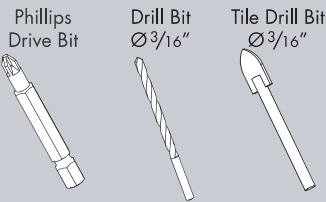
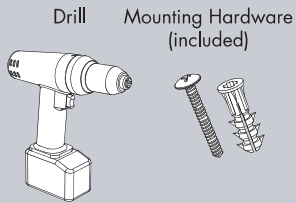
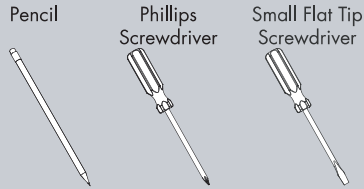
800-537-2107

customerservice@speakman.com

www.speakman.com

92-SA-2402-01

TOOLS AND SUPPLIES



IMPORTANT

- Do not over-tighten any connections or damage may occur.
- Be sure to read instructions thoroughly before beginning installation.

SAFETY TIPS

- Cover your drain to prevent loss of parts. Be sure to wear eye protection.

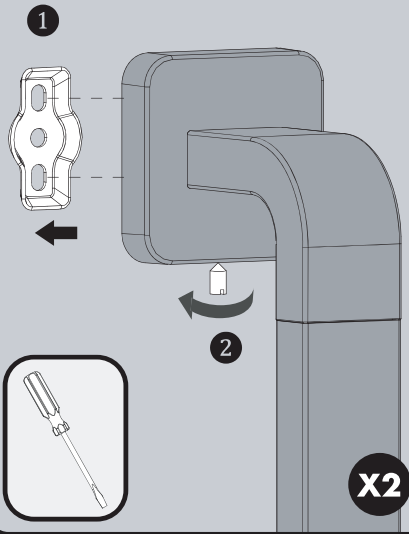
MAINTENANCE

Your new Speakman... trouble-free performance... cleaning it periodically... chemicals and... finish products... product warranty... cleaners. Please... of acceptable d...

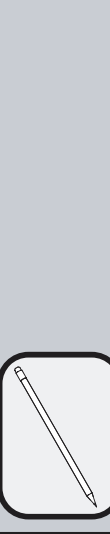
WARRANTY

Additional warranty information... www.speakman.com

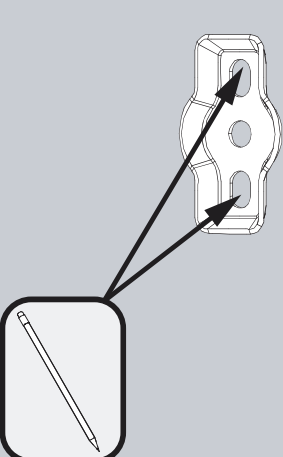
**1** If the Mounting Plate(s) (1) come pre-installed in the Accessory (2), remove the Mounting Plate(s) by loosening (but not removing) the pre-installed set screw at bottom with a small Flat Tip Screwdriver.



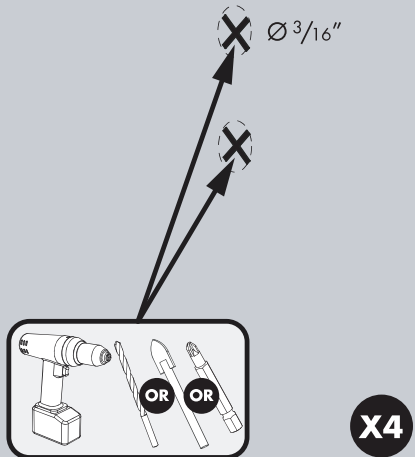
**2** At the se... mounting... rough in...



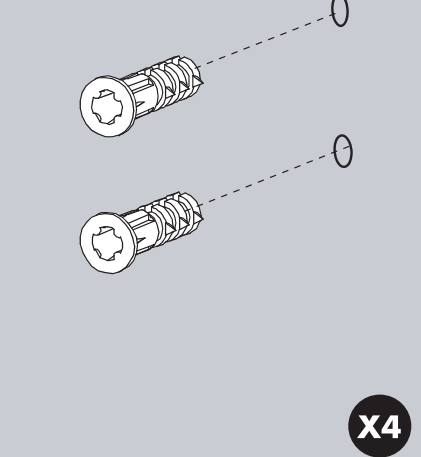
**3** Align Mounting Plate over center point marked in previous step. Mounting Plate should be vertical as shown below. Mark Mounting Screw locations onto the wall surface. Remove items after marking mounting locations.



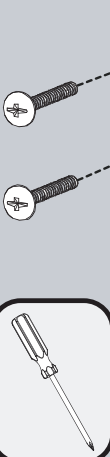
**4** If mounting directly to wood stud, Plastic Anchors are not required. If mounting to drywall or tile, select appropriate 3/16" drill bit and drill guide holes at marked locations.



**5** Insert Plastic Anchors into drilled holes and press/tap into place until the head is flush to the wall surface. (Note: Plastic Anchors provided may not be suitable for all types of wall construction, seek professional help if in doubt).

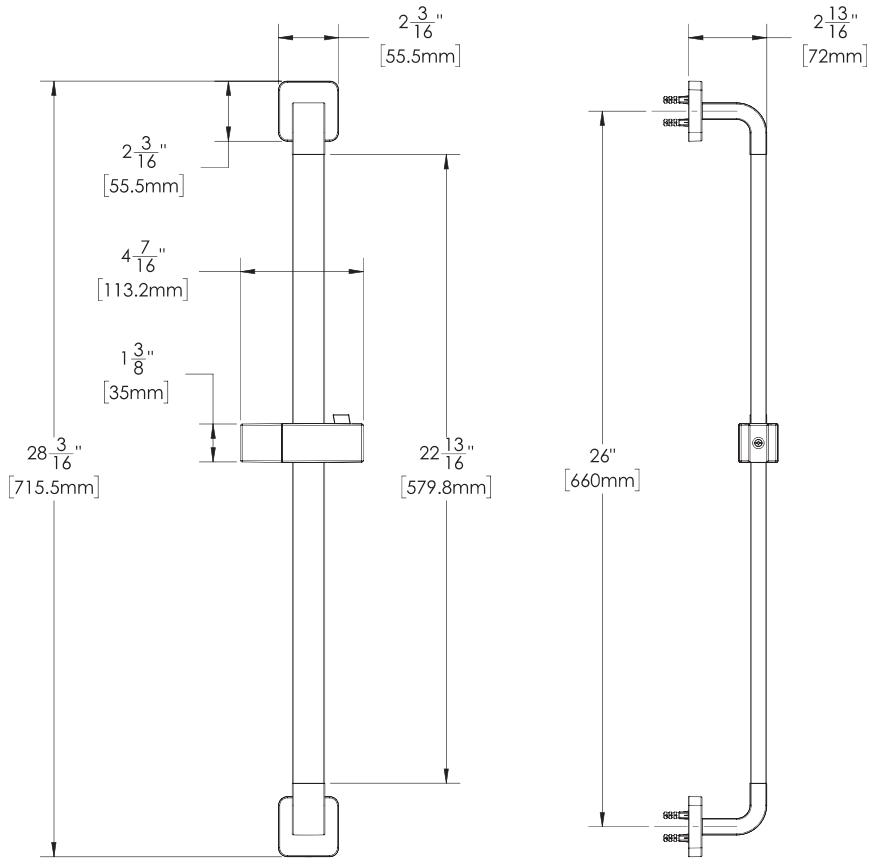


**6** Secure M... provided... aligned v...



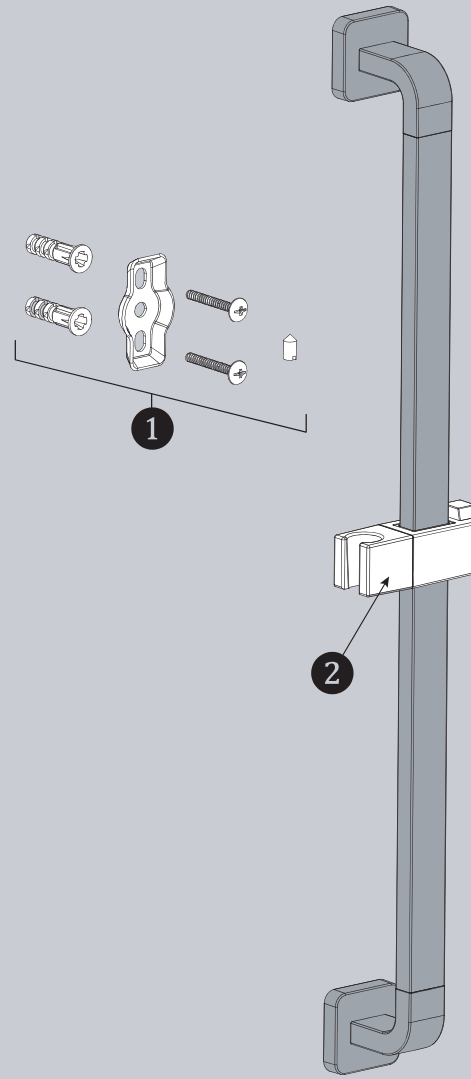
# SA-2402 ROUGH-IN DIAGRAM

**SPEAKMAN®**



DIMENSIONS SUBJECT TO CHANGE WITHOUT NOTICE.

# SA-2402 REPAIR PARTS



ITEM NO.	PART NO.	DESCR
1	RPG48-106091	MOUNTING HARDWAR
2	RPG04-106206-XX (XX = FINISH)	SLIDING MECHANISM