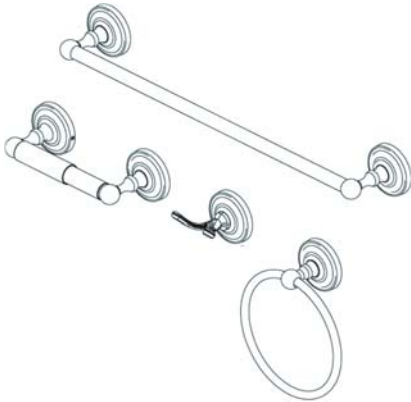


Instructions for Models:

SA-1404
SA-1405
SA-1406
SA-1407



Need Help?

For additional assistance or service call:

SPEAKMAN Company
400 Anchor Mill Road
New Castle, DE 19720

PHONE: 800-537-2107
EMAIL: customerservice@speakmancompany.com
WEB: www.speakmancompany.com

92-SA-140X-R2

What You Need To Know:

Tools:

Required:

*Phillips Screwdriver



*Small Flat Tip Screwdriver



*Drill with 1/4" bit



*Pencil



Helpful:

*Tape Measure



*Level



Important Notes:

Be sure to read instructions thoroughly before beginning installation. Do not overtighten any connections or damage may occur.

Instruction images shown are for reference only and apply to all models numbers shown.

Safety Tips:

This item is **NOT** designed for use as a grab bar. Do not mount in locations where product is likely to be used as a grab bar.

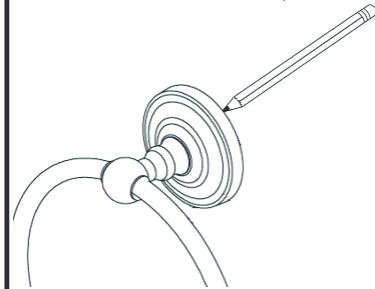
Maintenance:

Clean with a soft, damp cloth only. Do not use scrub pads, detergents or cleansers as they may harm the protective finish of your bath accessories.

? Drill 1/4" directly into wall. Do not drill through mounting bracket.



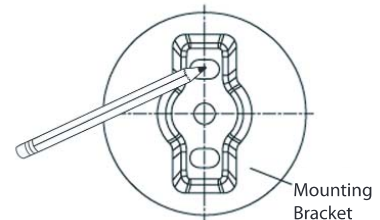
? Loosen set screw at base of each post and remove brackets (if necessary). Determine mounting location of component and lightly trace outline on wall with a pencil.



? Insert Phillips screwdriver into wall until flush. Tighten Set Screw. Repeat for second location.



? Center Mounting Bracket within traced outline. Mark the 2 mounting locations with a pencil.



? Locate pencil marks on wall. Tighten Set Screw. Repeat for second location.



