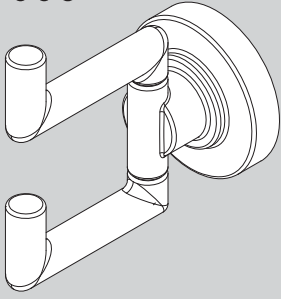
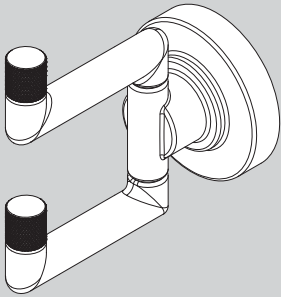


INSTRUCTIONS FOR MODELS

SA-1008



SA-1008-KN



NEED HELP?

For additional assistance or service please contact:

SPEAKMAN® Company
400 Anchor Mill Road
New Castle, DE 19720

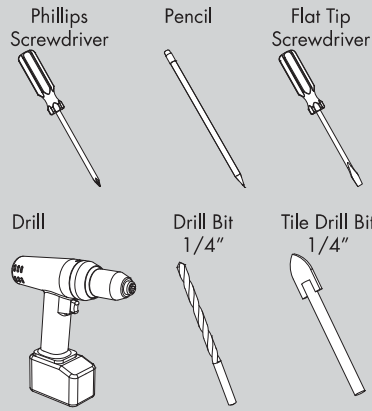
800-537-2107

customerservice@speakman.com

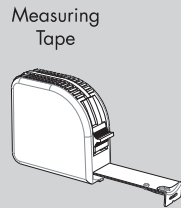
www.speakman.com

92-SA-1008-03

TOOLS AND SUPPLIES



HELPFUL TOOLS & SUPPLIES:



MAINTENANCE

Your new Speakman Product is designed for years of trouble-free performance. Keep it looking new by cleaning it periodically with a soft cloth. The use of harsh chemicals and abrasives on any of the Speakman custom finish products may damage the finish and void the product warranty. Please be sure to only use approved cleaners. Please contact Speakman for any clarification of acceptable cleaners.

WARRANTY

Additional warranty information can be found at: www.speakman.com



IMPORTANT



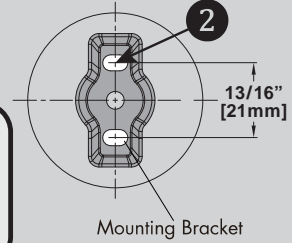
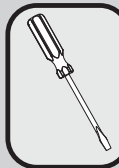
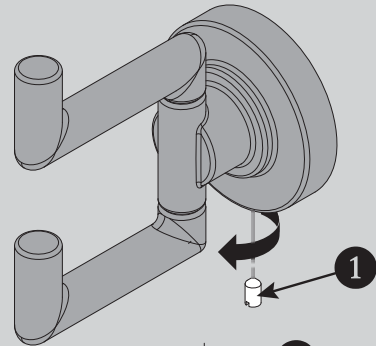
- Do not over-tighten any connections or damage may occur.
- Be sure to read instructions thoroughly before beginning installation.
- Instruction images shown are for reference only and apply to all models numbers shown.

SAFETY TIPS

- Cover your drain to prevent loss of parts.
- This item is **NOT** designed for use as a grab bar. Do not mount in locations where product is likely to be used as a grab bar.

1

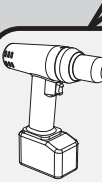
- Loosen, but do not remove the Set Screw from the base of the product post (1) with a Flat Tip Screwdriver.
- Place the product in the desired mounting location and use a Pencil to lightly mark the outline of the post.
- Center the Mounting Bracket within the marked post location and mark where the screw holes will be drilled (2).



Mounting Bracket

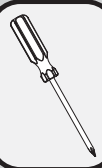
2

If mounting Anchors acquire supporting drywall, using a D

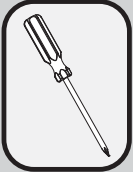
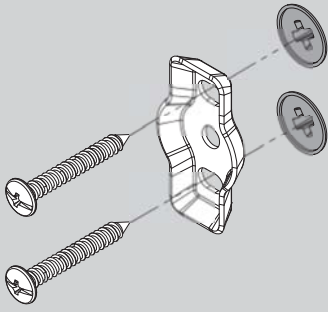


3

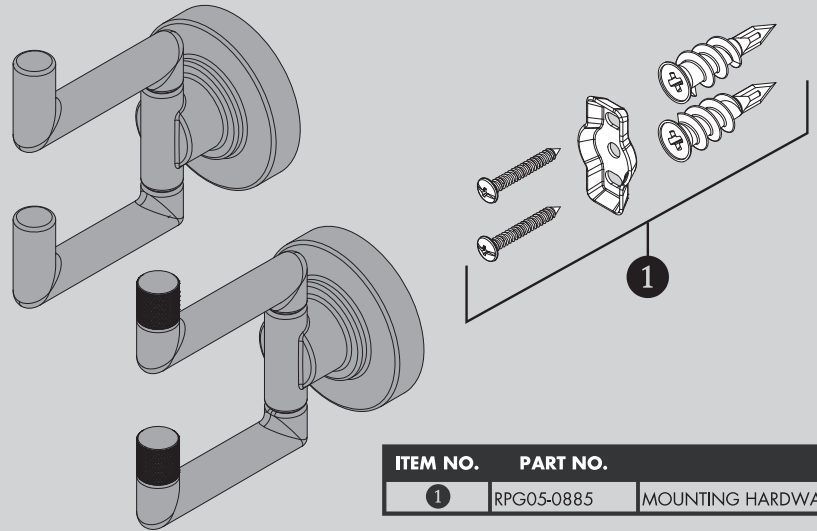
Insert Plug in the An or a Drill the head



4 Secure Mounting Plate with the Mounting Screws provided. Verify that the Mounting Plate is aligned vertically.

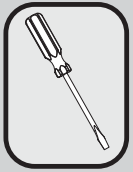
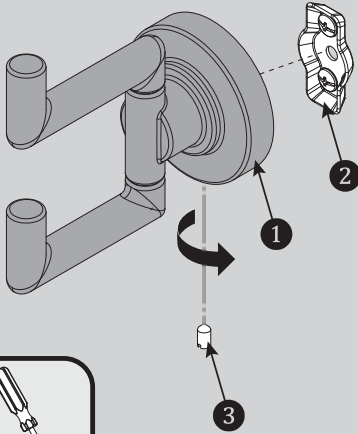


SA-1008 / SA-1008-KN REPAIR PARTS

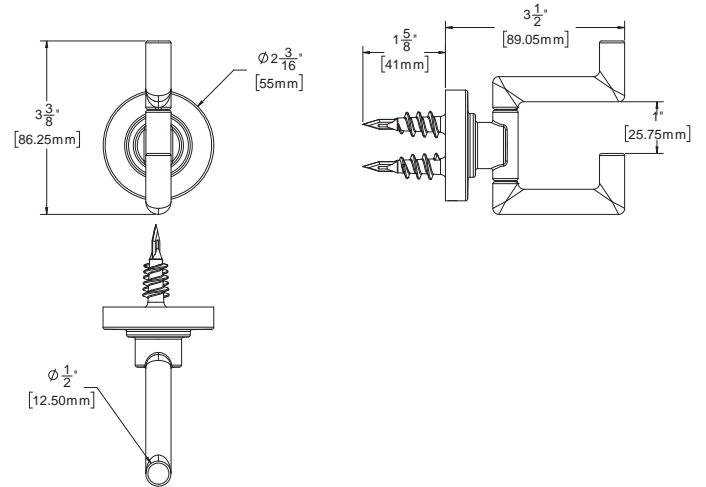


ITEM NO.	PART NO.	DESCRIPTION
1	RPG05-0885	MOUNTING HARDWARE

5 Place the Post (1) over the Mounting Bracket (2) and secure it with the Set Screw (3) as shown.



SA-1008 / SA-1008-KN ROUGH-IN DIAGRAM



DIMENSIONS SUBJECT TO CHANGE WITHOUT NOTICE.