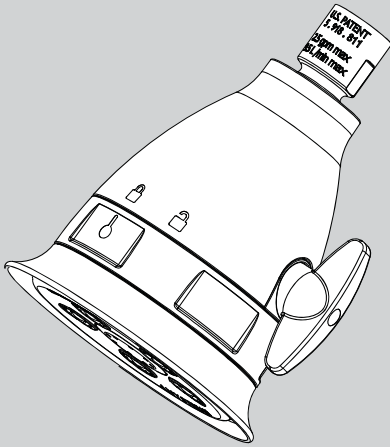


INSTRUCTIONS FOR MODELS

S-2005-HBF
S-2005-HBFE2
S-2005-HBF-E175



NEED HELP?

For additional assistance or service please contact:

SPEAKMAN® Company
400 Anchor Mill Road
New Castle, DE 19720

800-537-2107

customerservice@speakman.com

www.speakman.com

92-S-2005-HBF-05

TOOLS AND SUPPLIES

Thread Seal
Tape (Included)



Adjustable
Wrench



IMPORTANT



Be sure to read instructions thoroughly before beginning installation. Do not overtighten any connections or damage may occur.

- This shower head has an optimal operating range of 20-80 psi.
- This shower head has an optimal operating temperature of 60°-110° Fahrenheit.
- Be sure to adhere to all local and state regulations.

SAFETY TIPS

- Cover your drain to prevent loss of parts.
- This shower head has a maximum operating temperature of 120° Fahrenheit.

MAINTENANCE

Periodic cleaning using a mild soap and warm water will help keep your Shower head's appearance in its original condition.

For best results, dry immediately with a soft, clean cloth. **DO NOT USE** harsh and/or abrasive cleaners.

To help restore the finish, occasionally apply a non-abrasive wax to your shower head body (follow manufacturers' instructions).

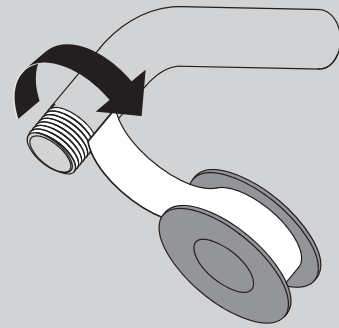
On CHROME PLATED SHOWER HEADS, a two (2) part white vinegar, one (1) part water solution can be used to break down excessive mineral deposits on the sprays. Let the shower head soak in the solution for about ½ hour then rinse thoroughly. Brush off any remaining mineral deposits if necessary.

DO NOT USE the vinegar/water treatment on any finish other than Chrome.

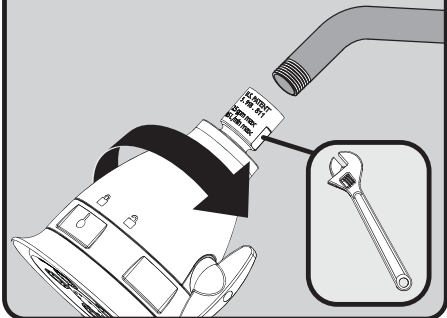
WARRANTY

Additional warranty information can be found at: www.speakman.com

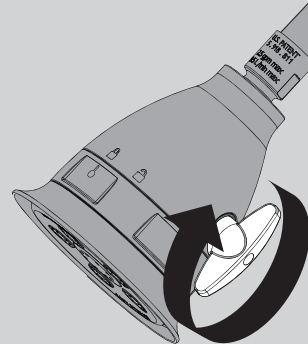
- 1** Apply supplied Thread Seal Tape to the outlet side of shower arm in a clockwise direction.



- 2** Thread Shower head onto shower arm by turning it in a clockwise direction. Tighten with adjustable wrench. Turn water supply on and check for leaks.



- 3** Adjust spray pattern by rotating side handle to preferred Anystream® position.



ROUGH

5 9/16"

[141mm]

Model: S-2005-HBF
Max. Flow Rate: 2.0 GPM
Min. Flow Rate: 0.5 GPM
FOR USE WITH A WATER SUPPLY AT 7.6 L/MIN (2.0 GPM)

Model: S-2005-HBFE2
Max. Flow Rate: 2.0 GPM
Min. Flow Rate: 0.5 GPM
FOR USE WITH A WATER SUPPLY AT 5.7 L/MIN (1.5 GPM)

Model: S-2005-HBF-E175
Max. Flow Rate: 2.0 GPM
Min. Flow Rate: 0.5 GPM
FOR USE WITH A WATER SUPPLY AT 4.9 L/MIN (1.3 GPM)

Specifications
Inlet: 1/2" NPT

FILTER MAINTENANCE

The shower head filter should be replaced every 6 months or 10,000 gallons. (Whichever comes first). Your time may vary depending on your water conditions. Use only genuine Speakman Filters (Part number FS-1) available at www.speakman.com

We recommend you check your filter monthly to verify it's condition. During your monthly inspection, we recommend that you remove and shake the filter vigorously for 15 seconds to guarantee the best water flow through the filter.

FOR BEST PERFORMANCE

If during use you notice a sudden loss in performance of the shower head, this may be caused by sediment or debris from your water supply and can be easily remedied by performing the following steps.

- Remove filter from shower head by following the instructions provided.
- Turn the filter 180° and run water thru the filter at your sink.
- Run water thru the filter for several minutes.
- During this time you may notice discolored water coming from the filter. This is normal and is the sediment or debris that was causing the poor performance of the filter.
- Replace filter by following the instructions provided.



IMPORTANT



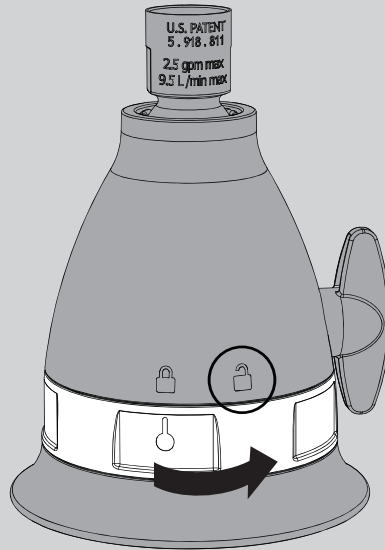
This product is not intended for exterior installations. Do not expose the filter to freezing conditions, as this may cause cracking of the filter and water leakage.

Do not use with water that is microbiologically unsafe or of unknown quality without disinfection before the unit.

This unit is not intended to provide filtration of drinking (potable) water, and should not be used as a potable water source.

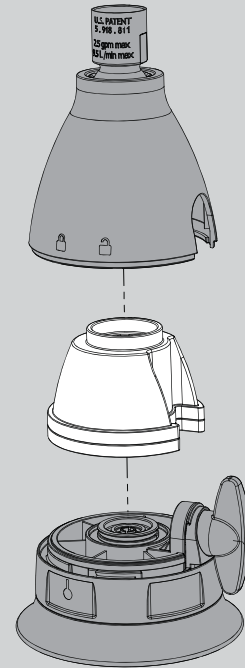
1 FILTER REPLACEMENT

The filter can be replaced while the shower head is still attached to the shower arm. Rotate Lock Ring to the UNLOCK position.



2 FILTER REPLACEMENT

Remove existing filter from shower head and discard. Remove protective film from both the inlet and outlet of the new filter. Install new filter into shower head and reassemble.



3 FILTER REPLACEMENT

After the shower head is reassembled, rotate the Lock Ring to the LOCK position.



C

This system has been tested according to NSF/ANSI 177 for reduction of free available chlorine. The concentration of free available chlorine entering the system was reduced to a concentration less than or equal to the permissible limit for water leaving the system according to NSF/ANSI 177. This system has not been evaluated for free available chlorine reduction performance in the presence of chloramines. Chloramine reduction performance may be impacted by the presence of chloramines in the water supply. Please contact your local water utility to determine if chloramines are used in treating your water.

Minimum Chlorine Reduction per NSF/ANSI 177 is $\geq 50\%$ free available chlorine (FAC) when used with an influent chlorine concentration of ≥ 1.0 mg/L.

