



Assembly & Installation Instructions

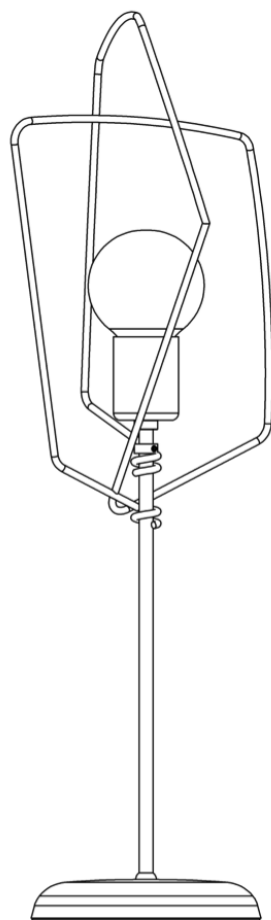
# Assembly & Installation Instructions

Filament Table Lamp 272830 & 272830C

---

C80

## Contents



Filament Table Lamp 272830 & 272830C



Castleton, Vermont USA | VERMONTMODERN.COM

36615 A

### Component Parts

- A.      **Fixture Pipe**
- B.      **Decorative Element**
- C.      **Set Screw**
- D.      **Bulb (not included)**
- E.      **Hex Wrench**



# Assembly & Installation Instructions

C80

## Filament Table Lamp 272830 & 272830C

**CAUTION:** FAILURE TO INSTALL THIS FIXTURE PROPERLY MAY RESULT IN SERIOUS PERSONAL INJURY OR DEATH AND PROPERTY DAMAGE. We recommend installation by a licensed electrician. This product must be installed in accordance with applicable installation code(s), by a person familiar with the construction and operation of the product and the hazards involved.\*

Caution: Do not exceed maximum wattage noted on fixture. Use only recommended bulbs with fixture.

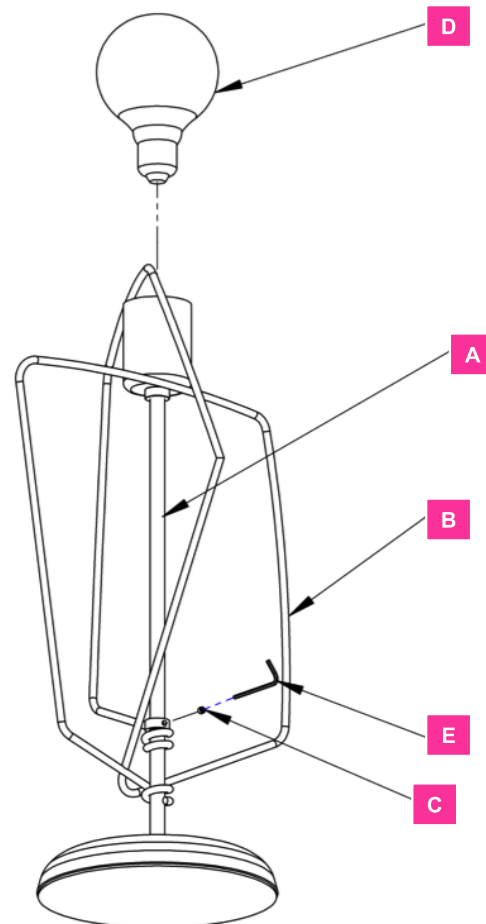
**Please Note:** After installation extra hardware and accessories are possible due to our kits are used on multiple products and options.

### Complete Lamp Assembly (Figure 1)

1. Carefully unpack the lamp.
2. Using the hex wrench (E) loosen the set screw (C) on the decorative element (B).
3. Raise decorative element (B) as far it will go.

Note: Be careful not to scratch the fixture pipe (A) while raising the decorative element (B).

4. For best appearance, turn decorative element (B) so that set screw (C) is aligned with the cord.
5. Using the hex wrench (E), tighten set screw (C)
6. 6. Install bulb (D) (not included).



(Figure 1)



If you need further assistance, or find that you are missing any parts, please contact the dealer from which you purchased this product. We hope you enjoy your fixture. Hubbardton Forge will not be liable for injury or damage caused by improper installation, lamping or use of this fixture.

Castleton, Vermont USA | VERMONTMODERN.COM

36615 A