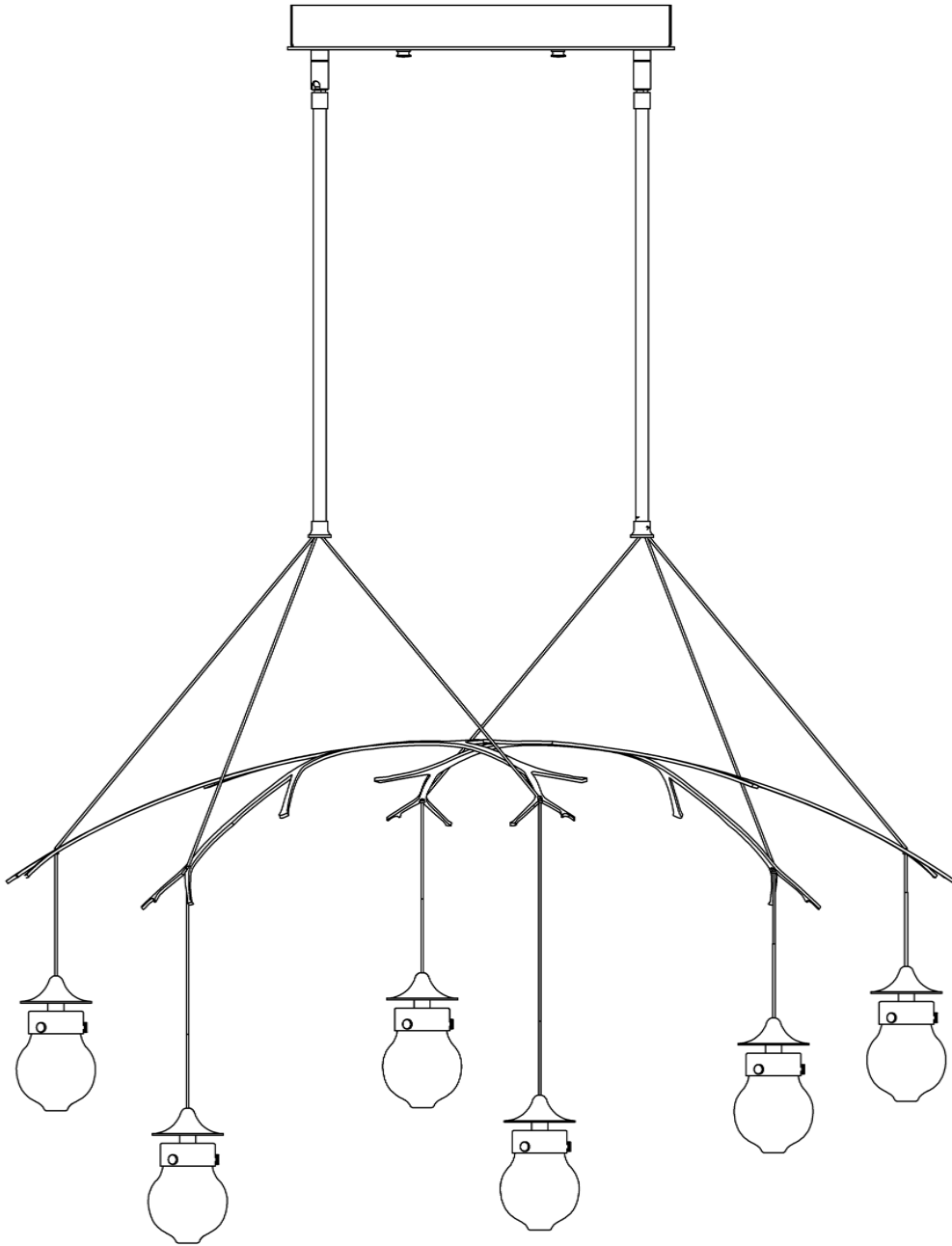


Assembly & Installation Instructions

Kiwi Dining Pendant 136560

A543



Component Parts

- A Fixture**
- B Mounting Bracket**
- C Canopy**
- D Threaded Standoffs (2)**
- E Cap (2)**
- F Anchors (4)**
- G #10 Screws (4)**
- H Safety Cable**
- I #8 Screw**
- J Ground Screw**
- K Cupped Washer**
- L Socket Assembly (6)**
- M Socket (6)**
- N Bulb (not included)**
- O Shield (6)**
- P Cup (6)**
- Q Glass (6)**
- R Knurled Screws (18)**
- S Decorative Element**
- T Wire (6)**
- U O-Ring (6)**

Assembly & Installation Instructions

A543

Kiwi Dining Pendant 136560

CAUTION: FAILURE TO INSTALL THIS FIXTURE PROPERLY MAY RESULT IN SERIOUS PERSONAL INJURY OR DEATH AND PROPERTY DAMAGE. We recommend installation by a licensed electrician. This product must be installed in accordance with applicable installation code(s), by a person familiar with the construction and operation of the product and the hazards involved.*

Caution: Do not exceed maximum wattage noted on fixture. Use only recommended bulbs with fixture.

Please Note: After installation extra hardware and accessories are possible; our kits are used on multiple products.

To Install Fixture (Figure 1 - on following page)

CAUTION: BE SURE POWER IS OFF AT THE MAIN BREAKER BOX PRIOR TO INSTALLATION.

1. Carefully unpack the fixture from the carton.
2. Socket assemblies (L) are shipped inside foam bags. Leave socket assemblies inside foam bags for this portion of installation to keep assemblies from being scratched.
3. Mounting plate (B) is shipped installed in canopy (C). Remove caps (E) to separate canopy and mounting plate. Retain for use later.
4. Center mounting plate (B) over the electrical box keeping center slots lined up with threaded holes in electrical box. With a pencil, mark the location of all mounting holes on the ceiling.
5. Put the mounting plate (B) down. Drill 1/4" holes in the locations marked on the ceiling. Place the tapered end of the anchors (F) into the holes and gently tap them flush to the ceiling using a light weight hammer.
6. Thread the wires in the electrical box through the center hole in mounting plate (B) while moving it into position. Using two machine screws (not provided) fasten mounting plate (B) to the electrical box.
Note: A new electric box comes with screws. When replacing a fixture, retain the existing screws for use.
7. Using the #10 screws (G), screw mounting plate (B) securely to the ceiling. Be careful not to over-tighten or strip the anchors (F).
8. Raise canopy (C) close to mounting plate (B). Attach safety cable (H) to mounting plate using #8 screw (I), found in kit bag, to temporarily support canopy while wiring.
9. Using suitable wire connectors (not provided) connect fixture wires to supply wires (white/neutral to white/neutral, black/line to black/line). Attach a pigtail lead to the mounting bracket (B) using the ground screw (J) and cupped washer (K) found in kit bag. Connect all ground wires (bare copper or green to bare copper or green).

CAUTION: MAKE SURE WIRE CONNECTORS ARE TWISTED ON SECURELY, AND NO BARE WIRES ARE EXPOSED.

10. Tuck wires back into electrical box. Slide canopy (C) over threaded standoffs (D).

Note: Be sure no wires are pinched between canopy and ceiling.

11. Secure canopy (C) with caps (E).

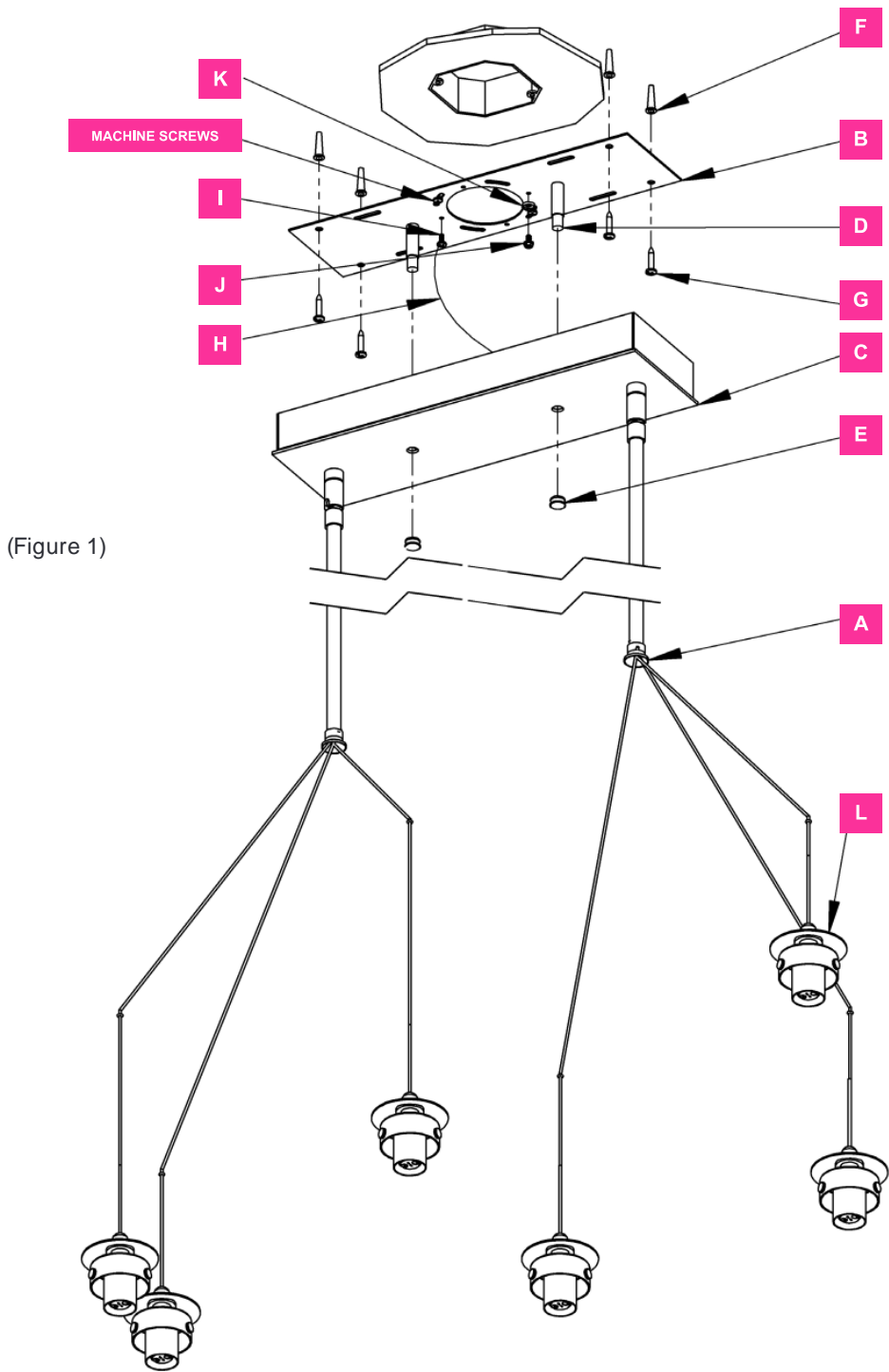
Yeah, you got this!



Assembly & Installation Instructions

Kiwi Dining Pendant 136560

A543



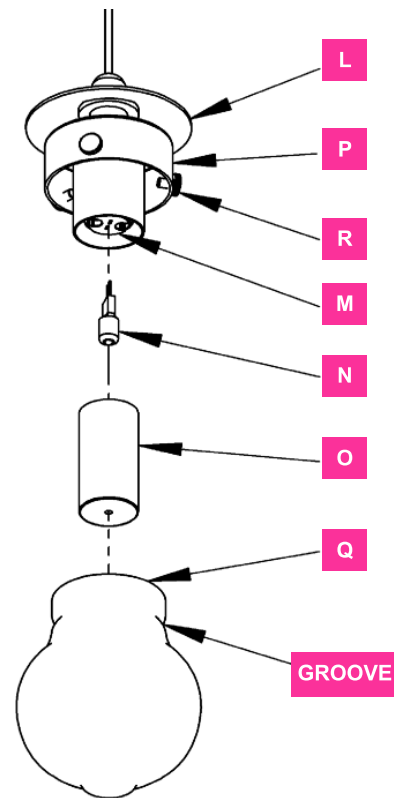
Castleton, Vermont USA | VERMONTMODERN.COM

40163

4 OF 6

To Install Glass (Figure 2)

1. Remove foam bag from socket assembly (L) and discard.
2. Install bulb (N) (not provided) into socket (M).
3. Thread shield (O) onto socket (M).
4. Slide glass (Q) into cup (P).
It may be necessary to loosen knurled screws (R) to allow glass to slide into cup. Screws will not need to be removed completely.
5. Align groove in glass (Q) with screws (R) and tighten screws evenly until snug against glass. Be sure not to overtighten screws as this could break glass.
6. Repeat for remaining socket assemblies (L).



(Figure 2)

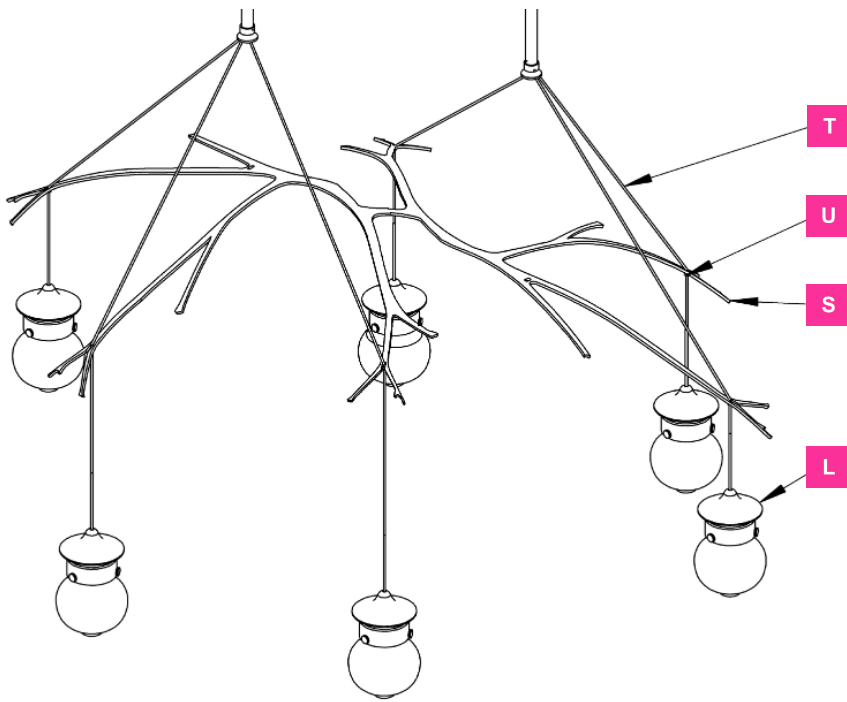
To Install Decorative Element (Figures 3 & 4 on next page)

1. Locate decorative element (S).
2. Each wire (T) has an o-ring (U) located near socket assembly (L).
3. Position decorative element (S) as seen in Figure 3.
4. The longest wire (T) on each side of fixture goes to outermost point on decorative element (S). Place slot in decorative element over wire.
5. Repeat for remaining socket assemblies (L) and slots.
6. Holding decorative element (S) in desired position, slide o-rings (U) on wires (T) until decorative element can rest on o-rings.
7. Restore electricity at main breaker.

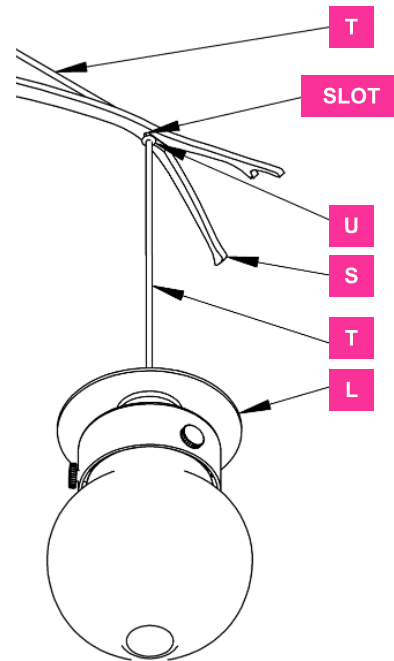
Assembly & Installation Instructions

Kiwi Dining Pendant 136560

A543



(Figure 3)



(Figure 4)

If you need further assistance, or find that you are missing any parts, please contact the dealer from which you purchased this product. We hope you enjoy your fixture!

* Vermont Modern / Hubbardton Forge will not be liable for injury or damage caused by improper installation, lamping or use of this fixture.



Castleton, Vermont USA | VERMONTMODERN.COM

40163

6 OF 6