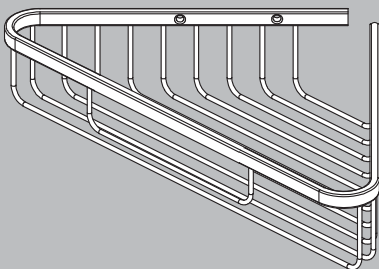


## INSTRUCTIONS FOR MODELS


# SA-1408



### NEED HELP?

For additional assistance or service please contact:

**SPEAKMAN**® Company  
400 Anchor Mill Road  
New Castle, DE 19720

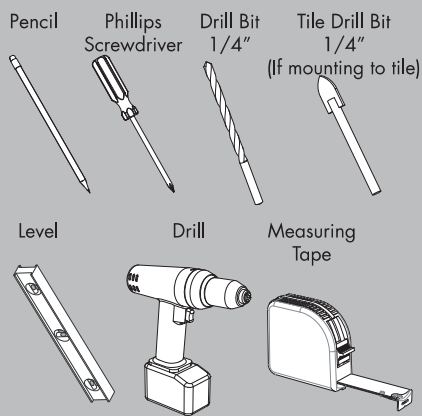
 800-537-2107

 customerservice@speakmancompany.com

 www.speakmancompany.com

92-SA-1408-R2

## TOOLS AND SUPPLIES



### IMPORTANT



Be sure to read instructions thoroughly before beginning installation. Do not overtighten any connections or damage may occur.

### SAFETY TIPS



Cover your drain to prevent loss of parts. Be sure to wear eye protection.

This item is **NOT** designed for use as a grab bar. Do not mount in locations where product is likely to be used as a grab bar.

### MAINTENANCE



Your new Bath Accessory is designed for years of trouble-free performance. Keep it looking new by cleaning it periodically with a soft cloth. Avoid abrasive cleaners, steel wool, and harsh chemicals as these will dull the finish and void your warranty.

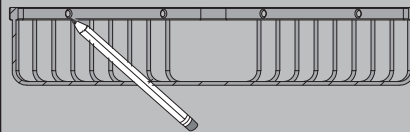
### WARRANTY



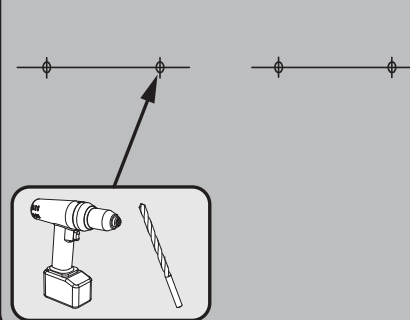
Your Speakman Accessory has a 1 year warranty.

Additional warranty information can be found at: [www.speakmancompany.com](http://www.speakmancompany.com)

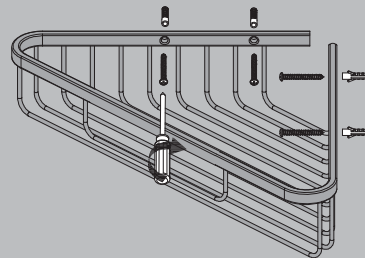
**1** Place the product in the desired mounting location, using a level to position it accordingly, and use a pencil to mark the four (4) mounting locations.



**2** Drill 1/4" holes in the previously marked locations.



**3** Push the plastic anchors flush into wall. Fasten the product to the wall using the provided mounting screws. If mounting the product to a wood wall, fasten the product to the wall using wood screws.



## ROUC

