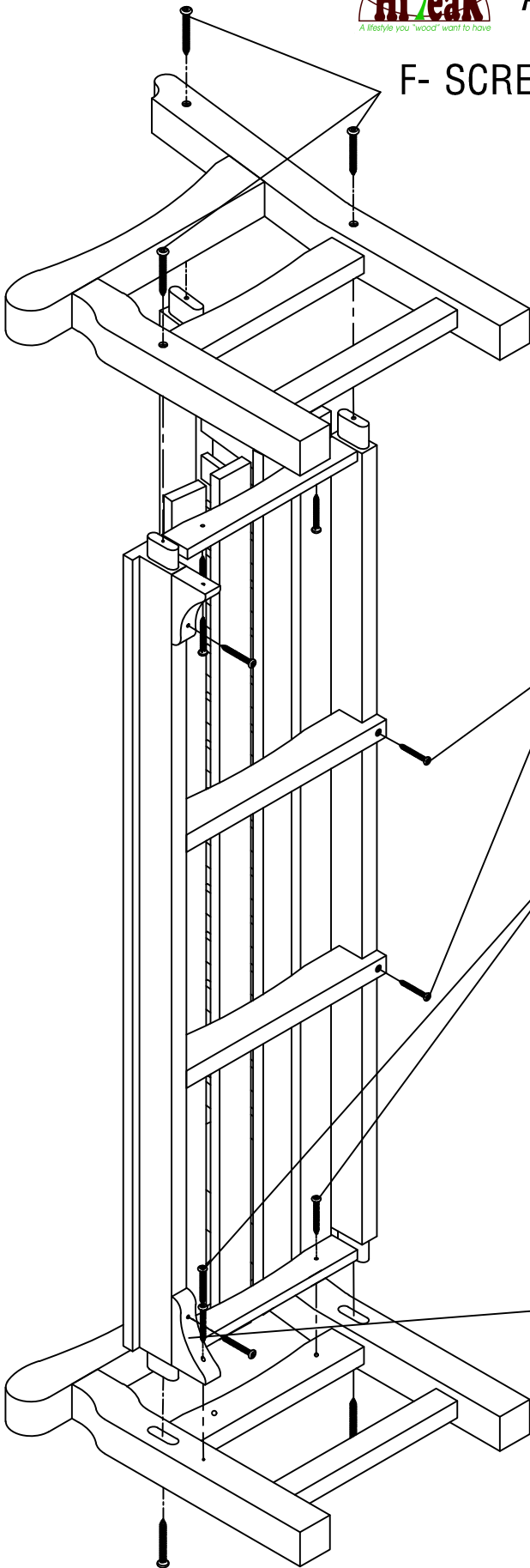




ASSEMBLY INSTRUCTIONS HLB973

F- SCREW 7X90 =6 PCS



* Allen key M4 =2PCS

F- SCREW 6X60 =2 PCS

F- SCREW 6X40 =4PCS

F- SCREW 6X50 =4PCS

