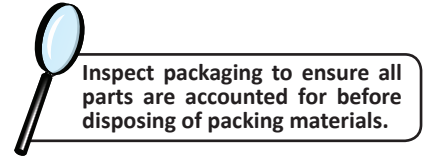
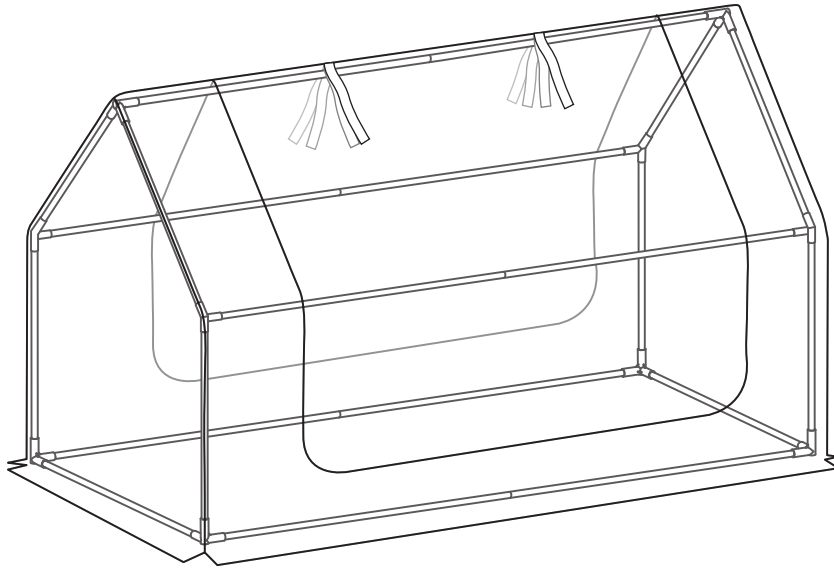


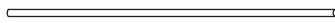

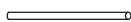

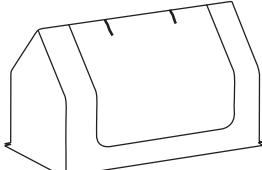
Thank you for choosing Sunnydaze Decor. We stand behind our brand and the quality of the items we sell. Replacement parts or products will be sent at our discretion within the 1-year warranty period. Proof of purchase, with the date of purchase as well as photos of the merchandise defect, must be provided. Photos are used to determine the cause of defects and for future quality control. Register your warranty at <https://tiny.cc/SunnydazeWarranty>  
 If you have any questions, comments or concerns, feel free to contact us by phone at 833-982-1977, by email: [customerservice@sunnydazedecor.com](mailto:customerservice@sunnydazedecor.com), or via our contact us page at <https://tiny.cc/SunnydazeContact>

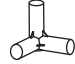

# MINI GREENHOUSE

## HB-876 • HB-890

Review assembly drawings carefully and follow the care instructions. Save this document for future reference.  
**Assemble components on a soft, clean surface to avoid scratching or damaging any surfaces.**



No.	PARTS	QTY.
1	 Vertical Tube	4
2	 Horizontal Tube	7
3	 Roof Tube	4
4	 Horizontal Tube w/ Torsion Spring	5
5	 Cover	1

No.	CONNECTORS	QTY.
A	 3-Way Elbow Fitting	4
14	 3-Way Angled Elbow Fitting	6

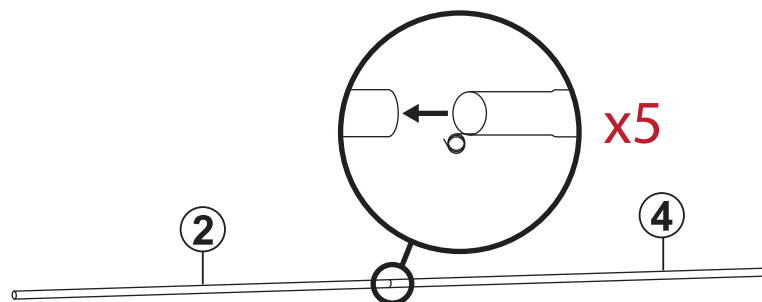
## FRAME ASSEMBLY

### ! HELPFUL HINTS !

Identify and separate all frame tubes and connectors, so they are easy to identify during assembly.  
 Ensure all tubes get fully inserted into the connectors. A tighter and smaller frame enables the greenhouse cover to slide on easily.

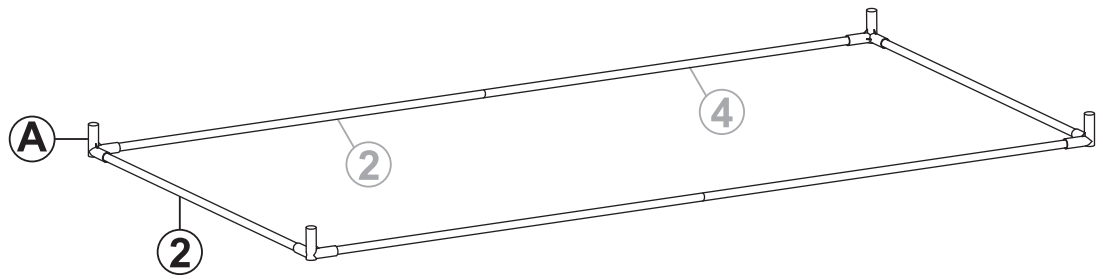
#### STEP 1

- 2: 5
- 4: 5



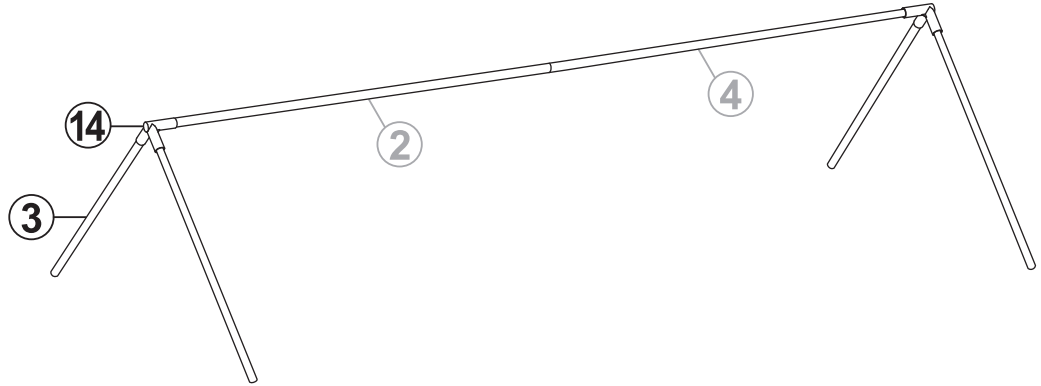
**STEP 2**

2/4: 2  
2: 2  
A: 4



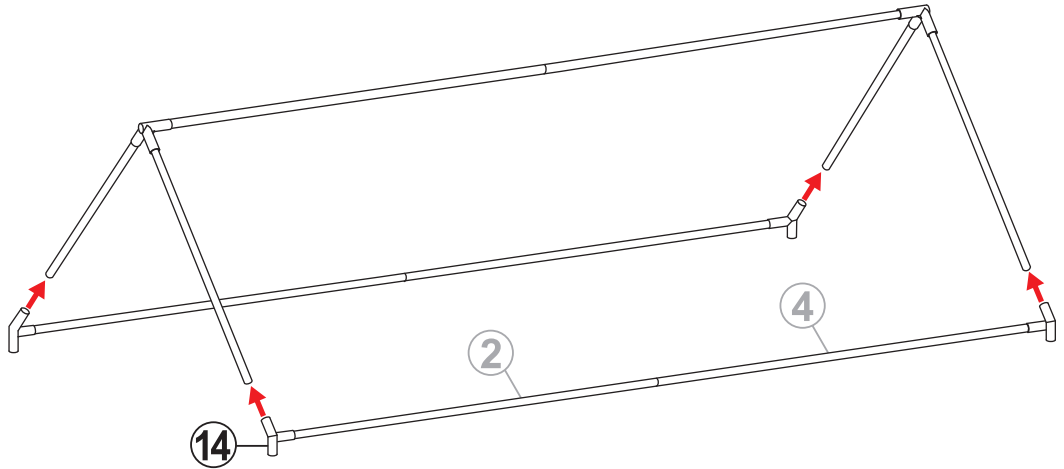
**STEP 3**

2/4: 1  
3: 4  
14: 2



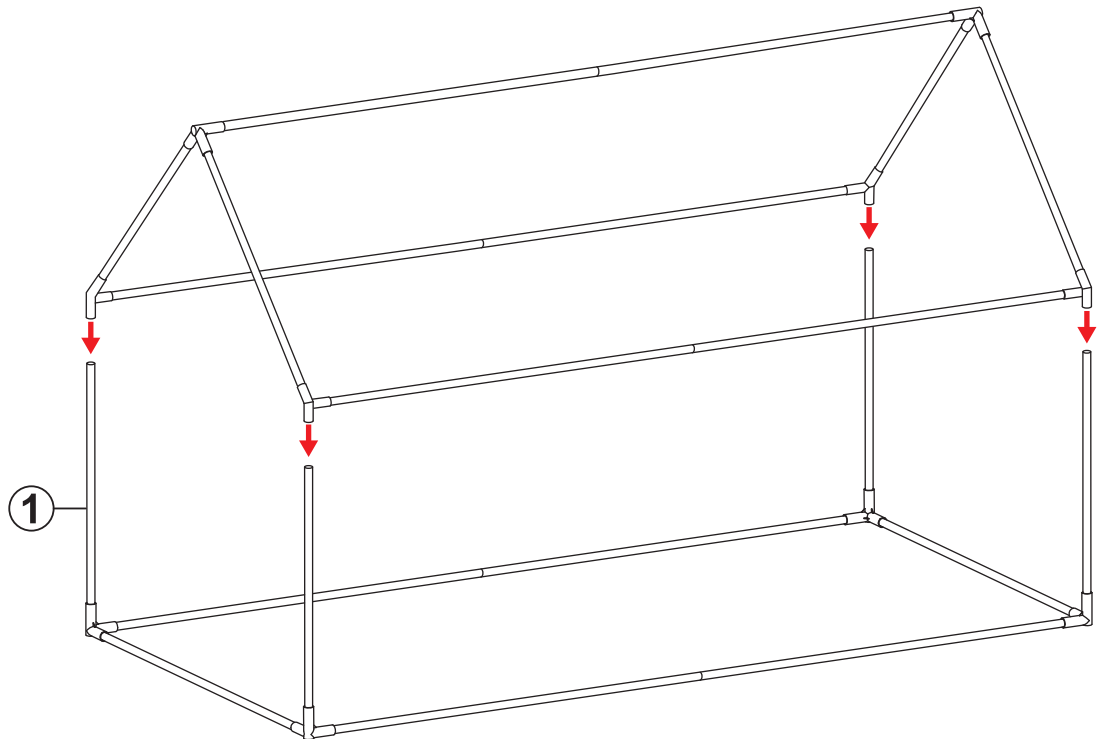
**STEP 4**

2/4: 2  
14: 4



**STEP 5**

1: 4



# General Use & Care

*We cannot foresee every possible scenario or climate in which this greenhouse could be used. Information provided is a basic guide and may not be suited for your particular needs. Use sound judgment when using your new greenhouse.*

## CHOOSING A LOCATION

Place your greenhouse on raised, level ground to ensure good drainage. Select a location that will receive maximum sun exposure.

Help protect your greenhouse from prevailing winds by placing it next to a structure such as a house or garage.

## WATERING

Use mist or the lowest setting on a hose sprayer. Avoid super-cold water as it could shock your plants.

The best time to water plants is in the cooler hours of the morning. Avoid watering plants too late in the evening, as excess moisture promotes plant disease and fungal infections.

Frequently check soil moisture throughout the day; this is especially important in warm weather. If soil becomes too dry, water the soil only. Applying water directly to plants during peak sunlight hours can damage plants.

## IDEAL GREENHOUSE TEMPERATURE

The ideal temperatures to maintain inside your greenhouse will depend on the plants you have inside. Always remember that all plants and seeds have preferred growing and germination requirements—research ideal growing conditions for your plants or contact an expert at your local garden center.

## COOLING

To lower the temperature inside your greenhouse, open the zippered door(s). You may also consider using a shade cloth (not included).

## VENTILATION

It is essential to ensure good air circulation and ventilation year-round. Stagnant air and/or excessive humidity levels may result in fungus and disease, which can damage your plants.

## MAINTENANCE AND STORAGE

Hose down your greenhouse using a low-pressure garden hose with a sprayer. Mild dish soap and a soft cloth may be used to help remove stubborn dirt and pollen build-up. Do not use harsh chemical cleaners.

In climates where snow and ice accumulate, disassemble and store in a cool, dry location.

Ensure that the greenhouse is clean and COMPLETELY DRY before storing. Mold and mildew can grow if it is stored wet or even slightly damp.

Use extreme care when disassembling and storing this greenhouse. Carefully remove the cover and fold it. Carefully pull frame tubes out of the connectors. Place all components into the original box or a plastic tote. Use caution when storing the cover; avoid placing it on or near the sharp edges of the frame components.

## REPAIRING RIPS AND TEARS

Although the greenhouse cover is relatively durable, it is still possible to puncture holes in the material if care is not taken when setting up, taking down, and storing the greenhouse.

A poly patching tape or film (not included) may be used for repairing punctures and tears in the cover. Before purchasing any repair tape or kit, ensure it is suited to the material of your greenhouse cover. Apply as directed by the manufacturer.

**WARNING: THE ONE-YEAR WARRANTY DOES NOT COVER DAMAGES OR DEFECTS CAUSED BY USER ERROR, THE APPLICATION OF CHEMICAL CLEANERS OR REPAIR KITS.**

**The following situations are not caused by faulty materials or workmanship and are not covered by warranty:**

- If cover tears due to incorrect frame assembly or being forced onto the frame.
- If the cover tears due to water accumulating on the roof. Water accumulation can cause the cover to stretch and possibly collapse the greenhouse completely.
- If the greenhouse poles or fittings are broken due to high winds or incorrect assembly.
- The cover rips or tears from sharp objects, including but not limited to garden tools and anchoring mechanisms.

**Most cover tears on greenhouses are due to excessive force, environmental conditions, or mechanical damage to the zipper, and as such, are not covered by warranty.**

** SAFETY STATEMENTS & WARNINGS **

- Anchor the greenhouse to prevent tipping and potential damage from prevailing winds.
- Keep this greenhouse a safe distance from heat sources such as fire pits, patio heaters, and grills.
- Do not use harsh chemicals or abrasive materials to clean.

**Any modification to the product or failure to follow recommended care will void the product warranty.**

** WARNING!**

**Manufacturer and seller expressly disclaim any and all liability from personal injury, property damage or loss, whether direct or indirect, or incidental, resulting from the incorrect attachment, improper use, inadequate maintenance, or neglect of this product.**