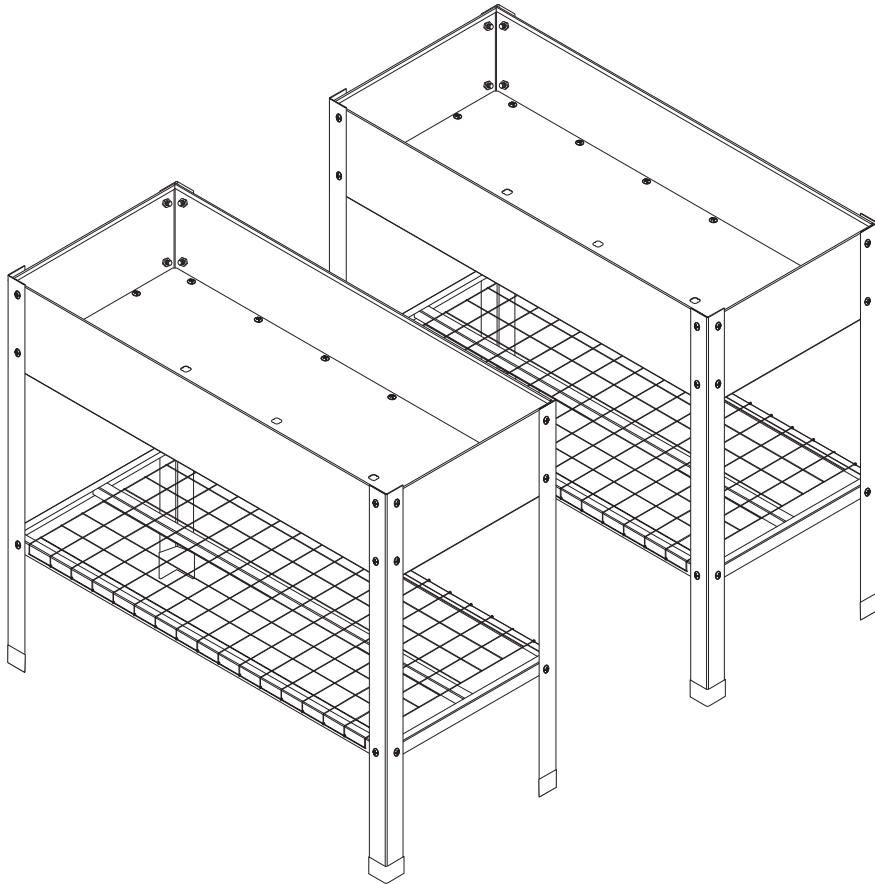



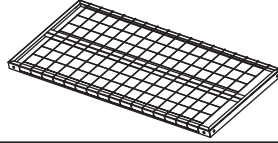

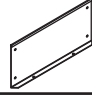
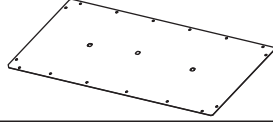


Thank you for choosing Sunnydaze Decor. We stand behind our brand and the quality of the items we sell. Replacement parts or products will be sent at our discretion within the 1-year warranty period. Proof of purchase, with the date of purchase as well as photos of the merchandise defect, must be provided. Photos are used to determine the cause of defects and for future quality control. Register your warranty at <https://tiny.cc/SunnydazeWarranty>. If you have any questions, comments or concerns, feel free to contact us by phone at 833-982-1977, by email: customerservice@sunnydazedecor.com, or via our contact us page at <https://tiny.cc/SunnydazeContact>

RAISED METAL PLANTER BOX WITH MESH SHELF

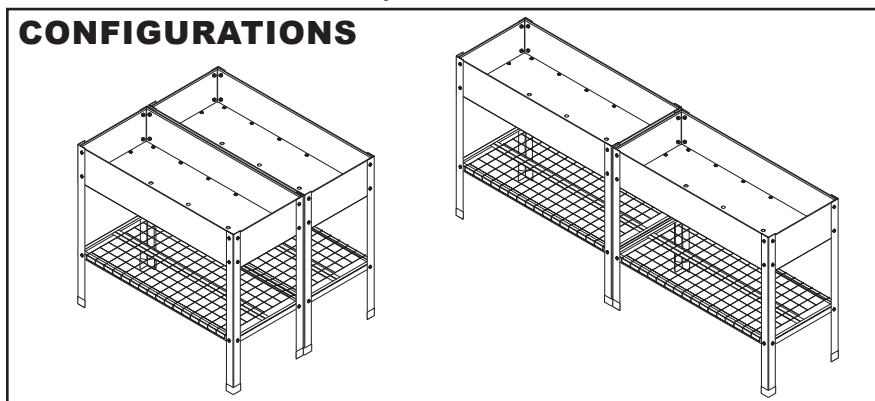
Read the assembly instructions carefully and follow the care instructions. Save this document for future reference.
Assemble components on a soft, clean surface to avoid scratching or damaging any surfaces.



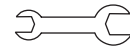
Inspect packaging to ensure all parts are accounted for before disposing of packing materials.

No.	PARTS	QTY.
A	 Leg	8
B	 Shelf	2
C	 Side Panel	4
D	 End Panel	4
E	 Bottom Panel	2
F	 M6x15mm Bolt Set	68
G	 M6x20mm Bolt Set	12

CONFIGURATIONS

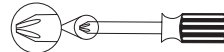


INCLUDED TOOL



Wrench

RECOMMENDED TOOL (not included)



Phillips Screwdriver

! WARNING !

CHOKING HAZARD — This item contains small parts that can be swallowed. Keep children and pets away during assembly.

! HELPFUL HINT

Sunnydaze Decor advises reading this manual fully, and assembling the item soon after purchase. Check that all parts are accounted for and familiarize yourself with the assembly before beginning.

Save this manual for future reference.

⚠ IMPORTANT ⚠

Select your preferred configuration before beginning assembly; individual, long, wide.

Review all steps and understand assembly before beginning.

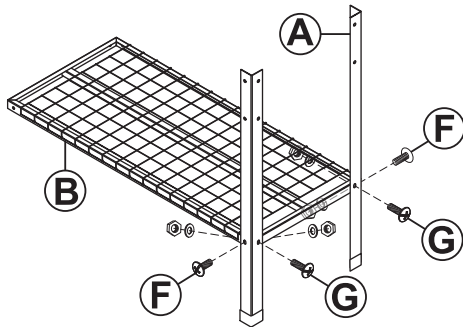
Do not fully tighten hardware until all components have been loosely assembled.

ASSEMBLY -- INDIVIDUAL

NOTE: Placement of Bolt Sets G as noted during individual assembly is recommended but not required. In the event you decide to join the planter boxes into a long or wide configuration, it will be easier to identify the bolts needed to connect the separate units.

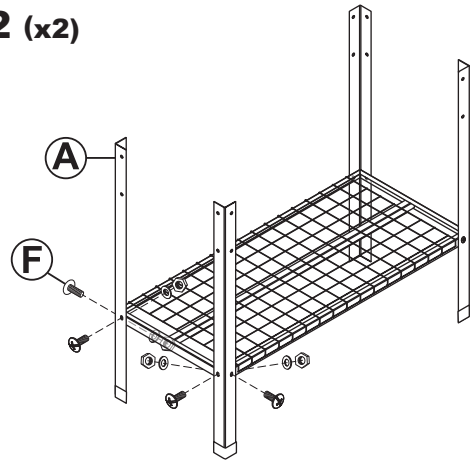
STEP 1 (x2)

A: 2
B: 1
F: 2
G: 2



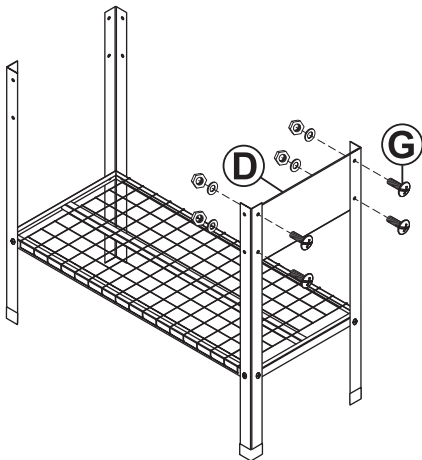
STEP 2 (x2)

A: 2
F: 4



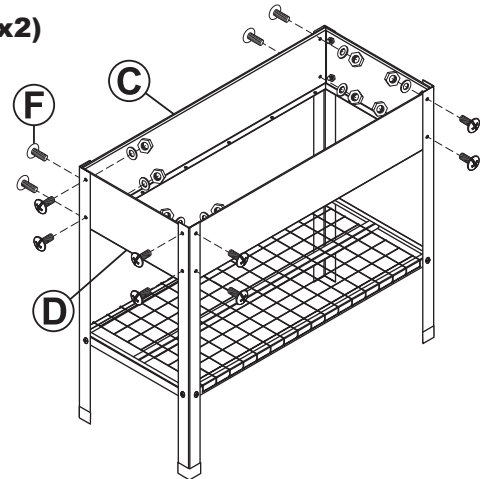
STEP 3 (x2)

D: 1
G: 4



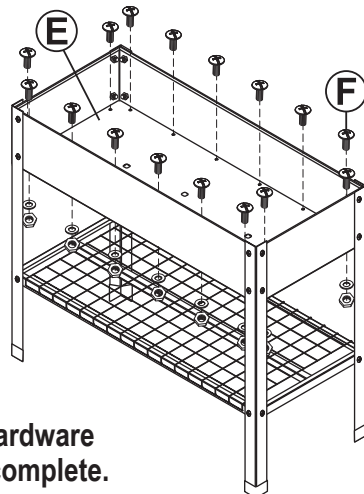
STEP 4 (x2)

C: 2
D: 1
F: 12

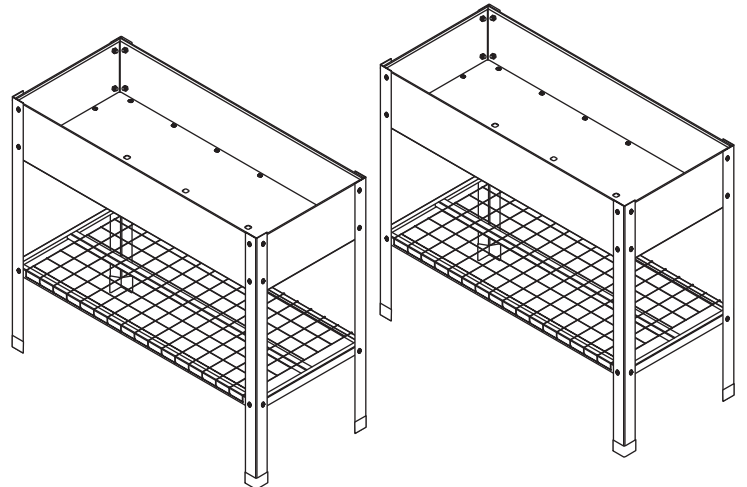


STEP 5 (x2)

E: 1
F: 16



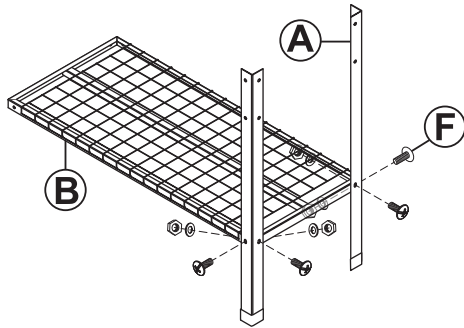
Fully tighten all hardware after this step is complete.



ASSEMBLY -- LONG

STEP 1 (x2)

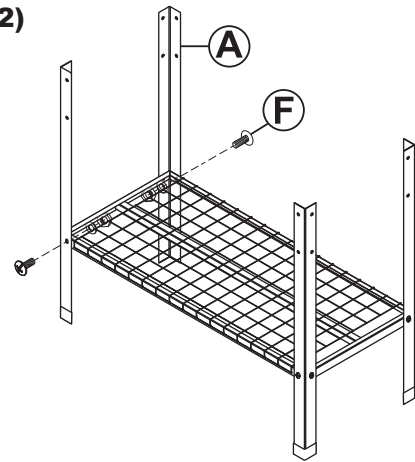
A: 2
B: 1
F: 4



Repeat this step for the opposite side of the planter box.

STEP 2 (x2)

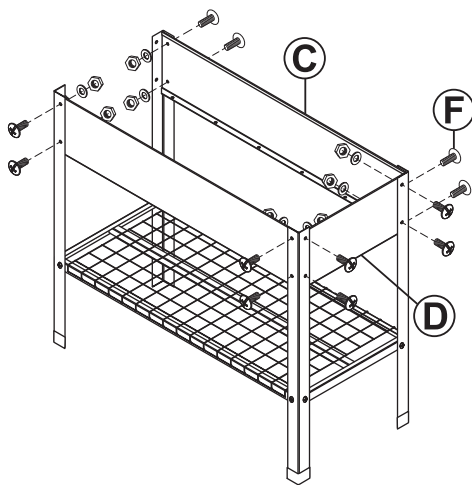
A: 2
F: 2



Repeat this step for the opposite side of the planter box.

STEP 3 (x2)

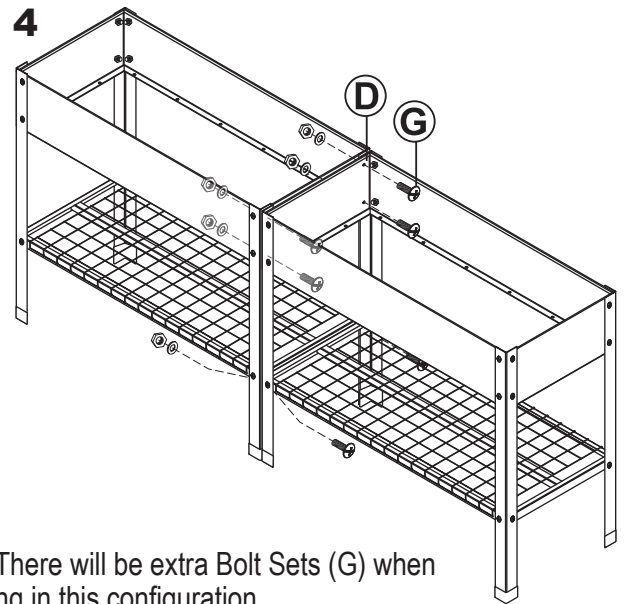
C: 2
D: 1
F: 12



Repeat this step for the opposite side of the planter box.

STEP 4

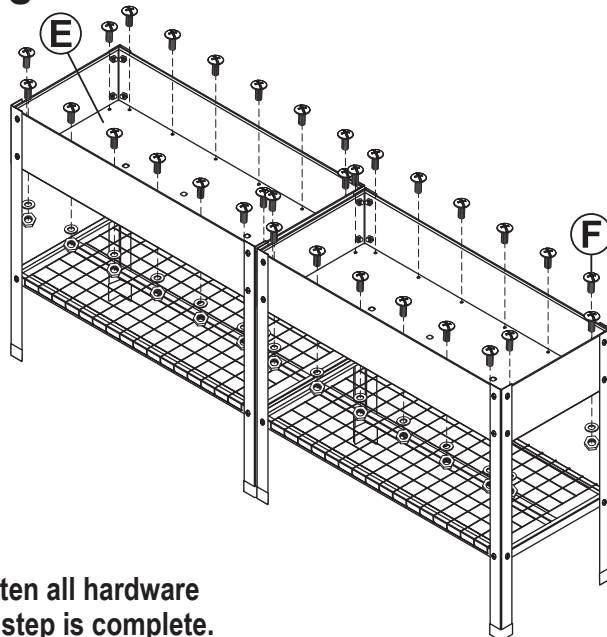
D: 2
G: 6



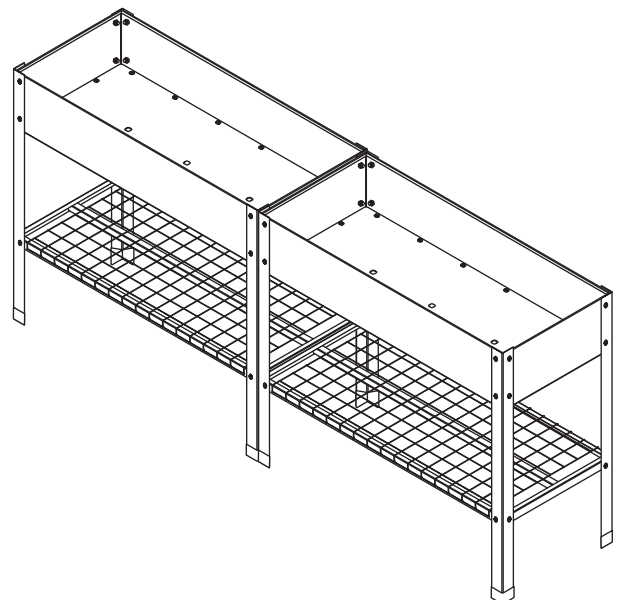
NOTE: There will be extra Bolt Sets (G) when assembling in this configuration.

STEP 5

E: 2
F: 32



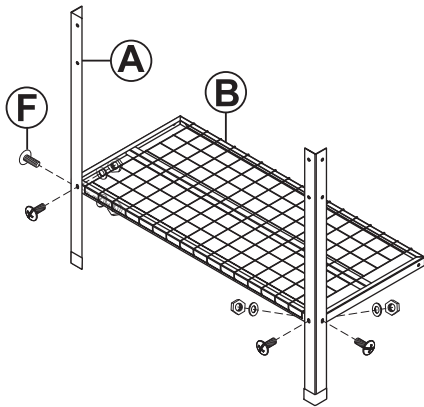
Fully tighten all hardware after this step is complete.



ASSEMBLY -- WIDE

STEP 1 (x2)

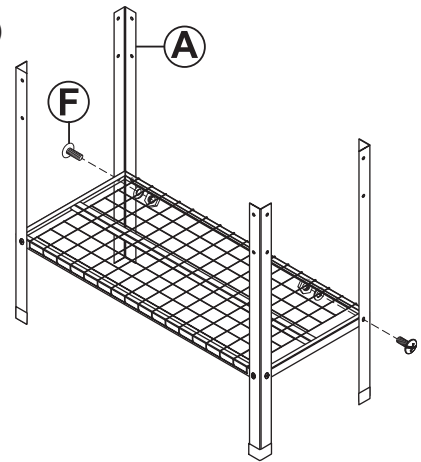
A: 2
B: 1
F: 4



Repeat this step for the opposite side of the planter box.

STEP 2 (x2)

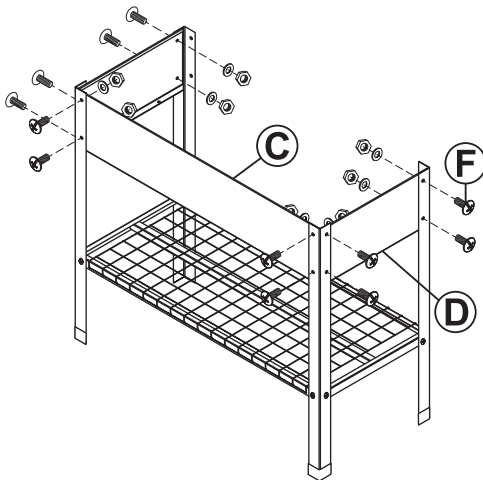
A: 2
F: 2



Repeat this step for the opposite side of the planter box.

STEP 3 (x2)

C: 1
D: 2
F: 12

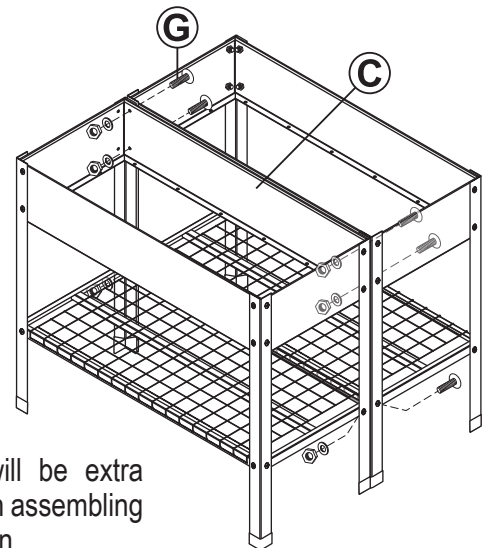


Repeat this step for the opposite side of the planter box.

STEP 4

C: 2
G: 6

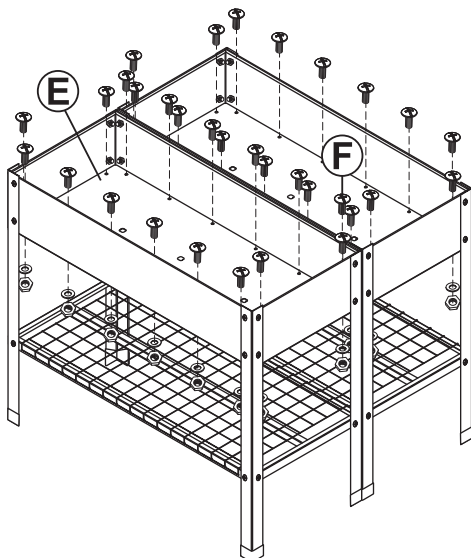
NOTE: Assistance is recommended to secure the side panels.



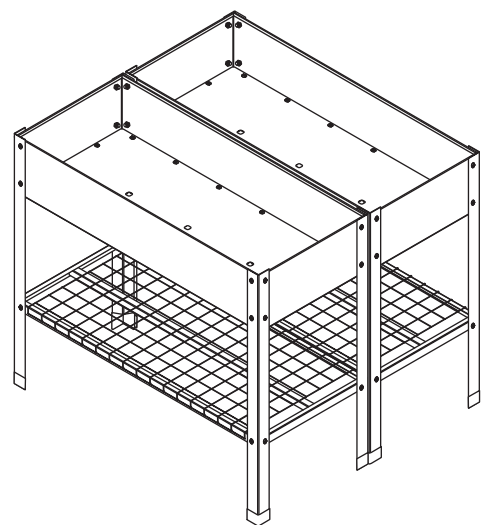
NOTE: There will be extra Bolt Sets (G) when assembling in this configuration.

STEP 5

E: 2
F: 32



Fully tighten all hardware after this step is complete.





Care & Maintenance

HELPFUL HINT: Lining the planter box with landscaping fabric is recommended. Lining the planter box can help insulate the soil against extreme temperatures, help retain soil moisture, prevent soil from escaping through the bottom, and could help maintain the overall appearance of the garden bed.

LEVEL SURFACE: Select a flat, level surface to place the raised planter boxes before filling and using it.

INSPECT: Periodically check all nuts and bolts and tighten as necessary.

MOVING: Only move the unit(s) when the planter box is empty; remove soil if necessary. Do not drag the garden bed as doing so may weaken assembly points and could cause breakage.

CLEANING: Wipe surfaces with a soft cloth.

For stubborn dirt, use a mixture of soap and water and wash with a soft cloth. Rinse all soap residue with a garden hose. Dry with a soft cloth to prevent rust on hardware and at assembly points.

STORAGE: Maintain the appearance and prevent damage by emptying and storing indoors when not in use.

SCRATCHES: The powder coating is tough and durable, but some scratching is inevitable. To prevent rust, wipe scratched areas to remove moisture. Scratches can be repaired with rust-resistant paint (not included); consult an expert at your local hardware store.

WARNING: THE ONE-YEAR WARRANTY DOES NOT COVER DAMAGES OR DEFECTS CAUSED BY THE APPLICATION OF CHEMICAL TREATMENTS, PROTECTIVE COATINGS, OR TOUCH-UP PAINT.

SAFETY STATEMENTS & WARNINGS

- Do not exceed the weight capacity of the planter box or shelf.
- Do not sit, stand, or climb on any part of the unit(s).
- Inspect hardware often and tighten loose hardware as needed.
- Keep furniture a safe distance from heat sources such as fire pits, patio heaters, and grills.
- Do not use harsh chemicals or abrasive materials to clean this unit.

Any modification to the product or failure to follow recommended care will void the product warranty.

WARNING!

Manufacturer and seller expressly disclaim any and all liability from personal injury, property damage or loss, whether direct or indirect, or incidental, resulting from the incorrect attachment, improper use, inadequate maintenance, or neglect of this product.