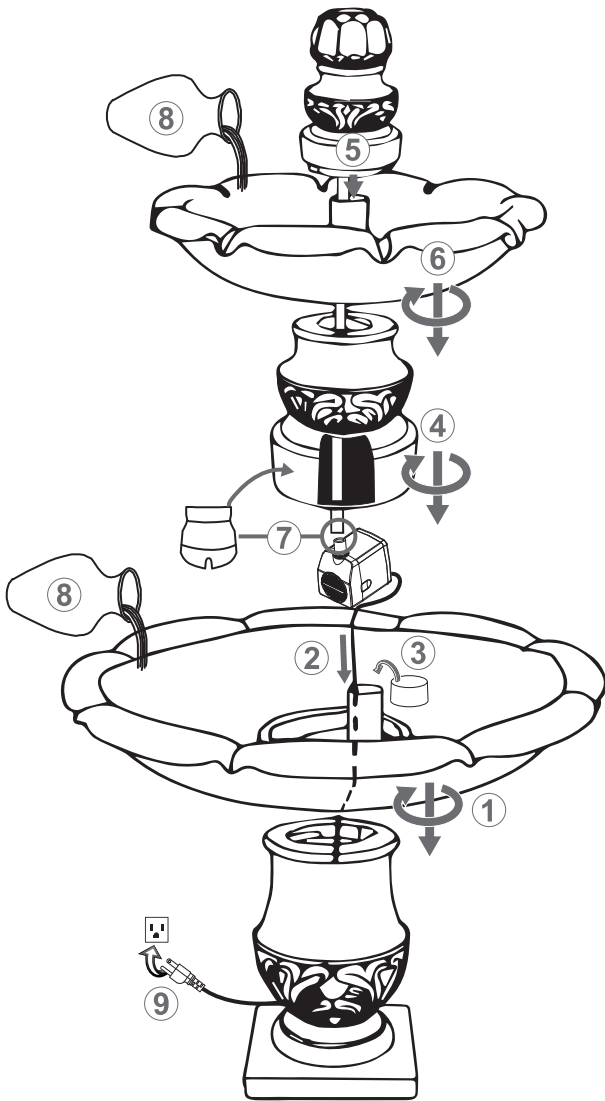


FRENCH GARDEN TIERED OUTDOOR WATER FOUNTAIN FWD-433

Read assembly instructions carefully and follow the care instructions. Save this document for future reference.

Assemble components on a soft, clean surface to avoid scratching or damaging the finish.



PARTS	QTY.
Fountain Topper	1
Top Tier	1
Column	1
Bottom Tier	1
Pedestal	1
Electric Submersible Pump	1
Rubber Cap	1
Pump Access Cover	1
String Rocks	1 SET



Inspect packaging to ensure all parts are accounted for before disposing of packing materials.

NOTE: The water tube is built into the fountain topper. Take care when handling the water tube; detaching the water tube from the fountain will damage the fountain and void the product warranty.

ASSEMBLY

1. Align the bottom tier with the grooves in the pedestal and twist the tier clockwise to lock in place.
2. Place the electric submersible pump in the bottom tier. Run the pump power cord through the built-in tube in the bottom tier, through the pedestal and under the groove in the bottom of the pedestal.
3. Ensure the pump sits flat next to the tube in the bottom tier. Place the rubber cap over the tube and the pump power cord.
4. Place the column on the large tier and twist the column clockwise to lock in place.
5. Run the built-in water tube from the topper through the top tier.
6. Carefully holding the topper and top tier, place the top tier onto the column and twist top tier clockwise to lock in place.
7. Firmly connect the water tube to the pump and install the pump access cover.
8. Fill all tiers with enough water to keep the pump fully submerged during operation, approximately 5.5 gallons.
9. Plug the power cord into a properly grounded GFCI outlet.

HELPFUL HINTS

When first plugged in, there may be air in the pump. It may take several minutes for trapped air to escape, allowing water to flow. Additional water may need to be added after the pump begins to circulate water through the fountain.

STRING ROCKS (optional)

String rocks can be used to reduce splashing and/or fountain noise.

To reduce splashing, moisten the string and place the rock in each notch of the tier, allowing the string to reach down towards the tier below. Note, this will also help provide some minor wind resistance.

The string rock system will reduce the sound the water makes, but it will increase the runtime by reducing the amount of water splashing outside of the fountain. To increase the sound, wrap the string around the rock to increase the distance between the string and the water in the tier below it.

TROUBLESHOOTING

- Ensure that the pump is fully submerged and add water if necessary.
- If water is not flowing within several moments of the fountain being plugged in, the pump may have trapped air which can prevent water from circulating properly. Simply unplug the power supply for a few moments and plug it back in. Also check the pump and tubing for obstructions.
- If water is not flowing check the tubing for kinks or obstructions. If water is splashing, check the flow control on the body of the pump; it may need to be adjusted to achieve the desired flow rate.
- If water is not flowing evenly, ensure the fountain is on a smooth, level surface. Add thin, plastic shims (not included) between tiers to level out water flow.
- Soft surfaces may cause the fountain to become unbalanced. A large stepping stone or paving stone (not included) is recommended to help ensure the fountain remains evenly balanced.
- Make sure the power outlet is working; if in doubt about electrical connections, consult a certified electrician.

If you are still experiencing issues, please contact our customer service team through one of the methods mentioned at the top of page 1. Please have the item number and order information available to help expedite response time.

⚠ IMPORTANT INFORMATION ⚠

- For outdoor use only.
- Some splashing is normal; adjust the flow rate on the pump body if the water flow is too high.
- Check the water level and fill frequently to ensure the pump remains fully submerged; never allow the pump to run dry as it will burn out the motor.
- Only use water in this fountain. Distilled water will help prevent mineral buildup, but is not required. Avoid heavily chlorinated water as it may damage the fountain and pump.
- Periodically change the water to keep the fountain and pump clean. Remove scale and buildup regularly.
 - DO NOT use harmful additives such as bleach, chlorine, etc.
 - DO NOT use abrasive materials to scrub the fountain or pump.
 - DO NOT use a pressure washer to clean the fountain.
- Always shut the power supply off before cleaning and maintaining the fountain and pump.
- Take care when handling the pump; only pick it up by the body of the pump, never by the power cord.
- During freezing weather, drain the fountain, disconnect the pump and store indoors; allowing ice to form may damage the fountain in such ways as, but not limited to, the fountain cracking, and/or permanent pump damage.
- Over time, the finish may gradually mellow in color; this is part of the natural aging process.

Any modification to the product or failure to follow recommended care will void the product warranty.

⚠ WARNING!

Manufacturer and seller expressly disclaim any and all liability from personal injury, property damage or loss, whether direct or indirect, or incidental, resulting from the incorrect attachment, improper use, inadequate maintenance, or neglect of this product.