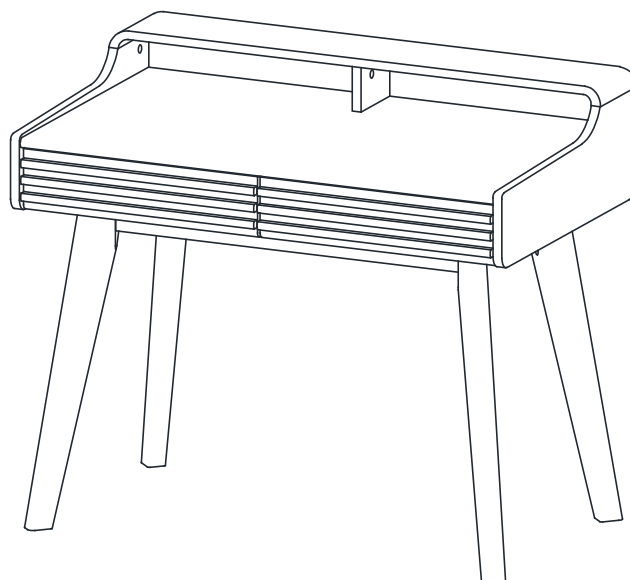


Thank you for purchasing the **MODWAY DESK!**

Before you start, here are some helpful advice:

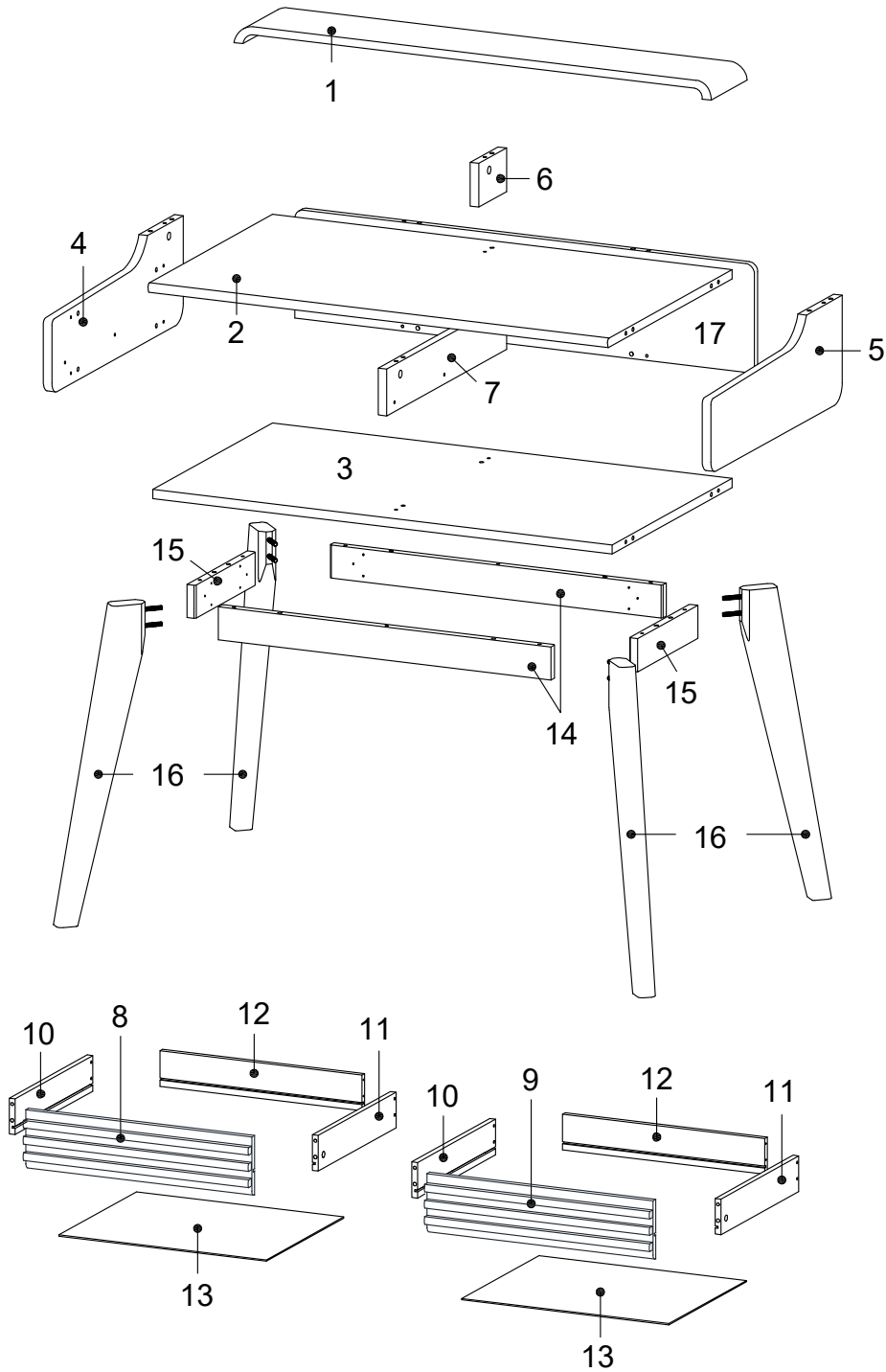
1. We suggest you spend a short time reading through this leaflet and then follow the simple step-by-step instructions.
2. Owing to the size and weight of the desk, we recommend that it is assembled by two adults, on a carpeted or padded area, in the room that it is intended for. Approximate assembly time: 60 minutes.
3. Please do not use any tools other than those provided or recommended in these instructions.
4. Please do not throw away any of the packaging or instructions until you have checked all the components and hardware and the furniture is fully assembled.
5. Assemble all components loosely until advised to tighten. Depending on use, it may be necessary to tighten the components from time to time, so please save the tools that have been provided.
6. Please keep all pieces out of reach of children.



**Hardware :**

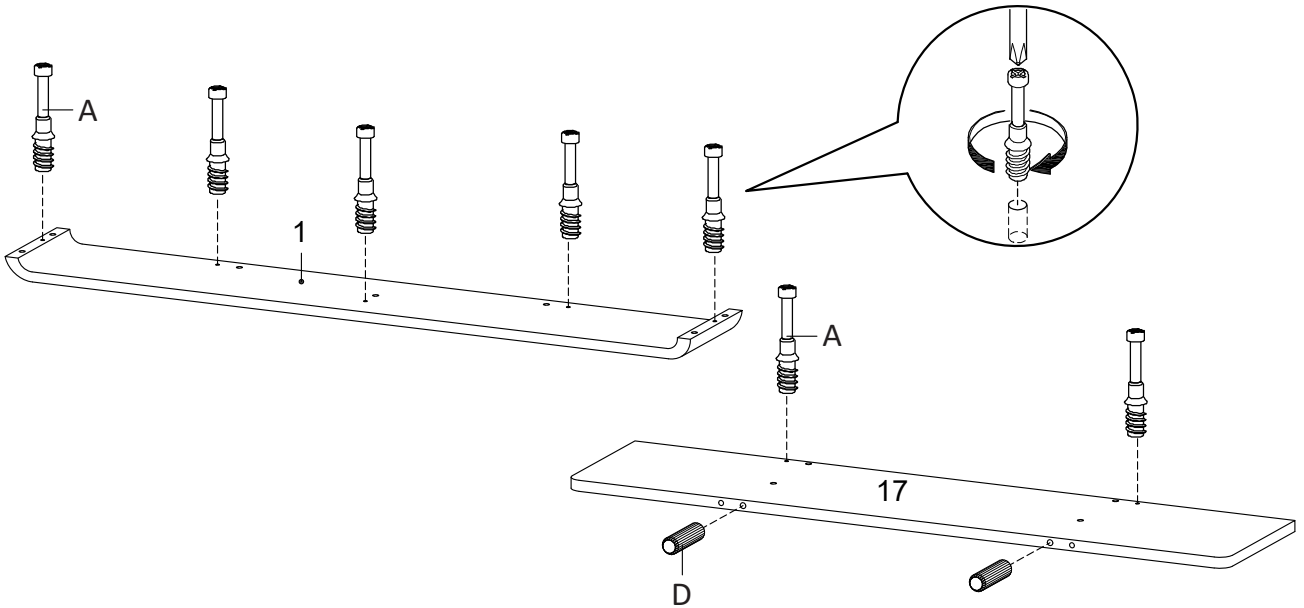
<p>A) Cambolt/Metal</p> <p>∅ 6 x 35 mm(Long) x17</p>	<p>B) Camlock Big/Metal</p> <p>∅ 15 mm x17</p>	<p>C) Camlock Small/Metal</p> <p>∅ 12 mm x4</p>	<p>D) Dowel Big/Wood</p> <p>∅ 8 x 30 mm x32</p>	<p>E) Dowel Small/Wood</p> <p>∅ 6 x 30 mm x 4</p>
<p>F) Screw/Metal</p> <p>M 12 x 70 mm x 10</p>	<p>G) Screw/Metal</p> <p>M 12 x 45 mm x 3</p>	<p>H) Rail/Metal</p> <p>350 mm x 2</p>	<p>I) Screw/Metal</p> <p>M 6.5 x 10.5 mm x 8</p>	<p>J) Screw/Metal</p> <p>M 3.5 x 13 mm x 12</p>
<p>K) Screw/Metal</p> <p>M 8 x 39 mm x 8</p>	<p>L) Corner Brace/Metal</p> <p>120 x 60 x 37 mm x 4</p>	<p>M) Screw/Metal</p> <p>M 4 x 16 mm x 24</p>	<p>N) Nut/Metal</p> <p>P 8 KEY 13 x 8</p>	<p>O) Ring/Metal</p> <p>∅ 18 mm x 8</p>
<p>P) Key/Metal</p> <p>Wrench x 1</p>	<p>Q) Hex/Allen Key/Metal</p> <p>L 4 x 1</p>	<p>R) Screw Cup/Plastic</p> <p>∅ 15 mm (Short) x 2</p>	<p>S) Cambolt/Metal</p> <p>∅ 6 x 32 mm(Short) x 4</p>	<p>T) Screw Cup/Plastic</p> <p>∅ 15 mm (Long) x 3</p>
<p>U) Floor Protector/Sponge/Felt</p> <p>30 x 30 mm x 4</p>	<p>V) Screwdriver (Not Include)</p> <p>x 1</p>			


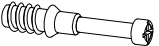
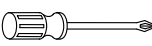
Components:



1	Top Board 1	x1	2	Top Board 2	x1	3	Bottom Board	x1	4	Side Board Left	x1
5	Side Board Right	x1	6	Center Board 1	x1	7	Center Board 2	x1	8	Front Drawer Left	x1
9	Front Drawer Right	x1	10	Side Drawer Left	x2	11	Side Drawer Right	x2	12	Back Drawer	x2
13	Bottom Drawer	x2	14	Front Skirt 1	x2	15	Front Skirt 1	x2	16	Leg	x4
17	Back Board	x1									

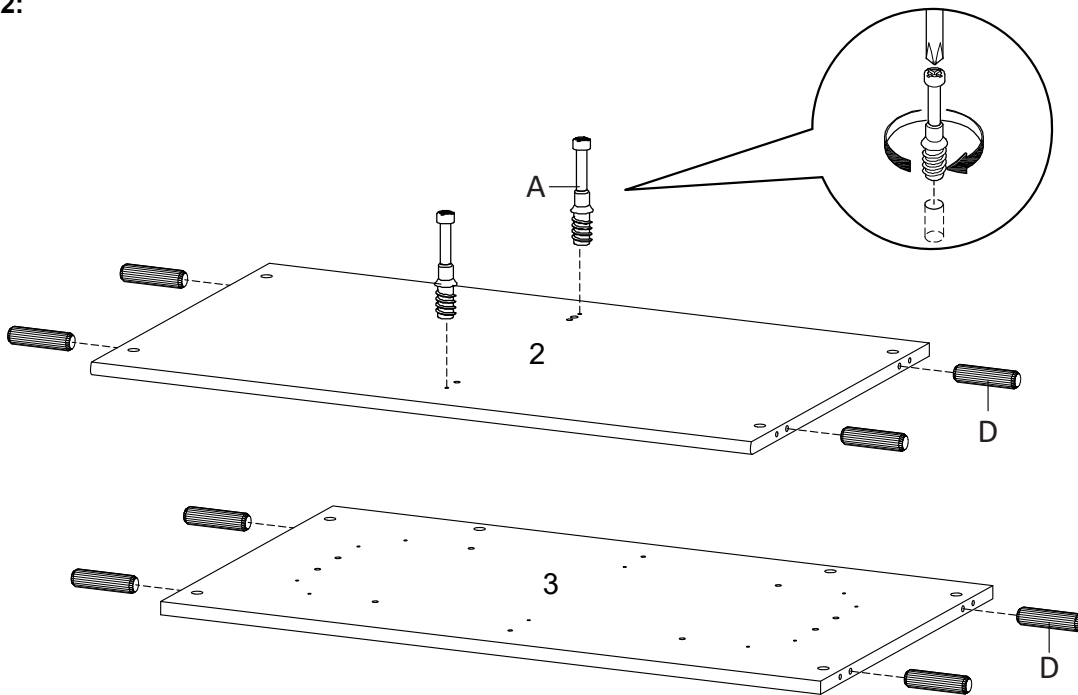
STEP 1:


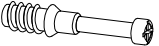
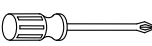


		
Dx2	Ax7	Vx1

Hardware required.  
Screwdriver not included

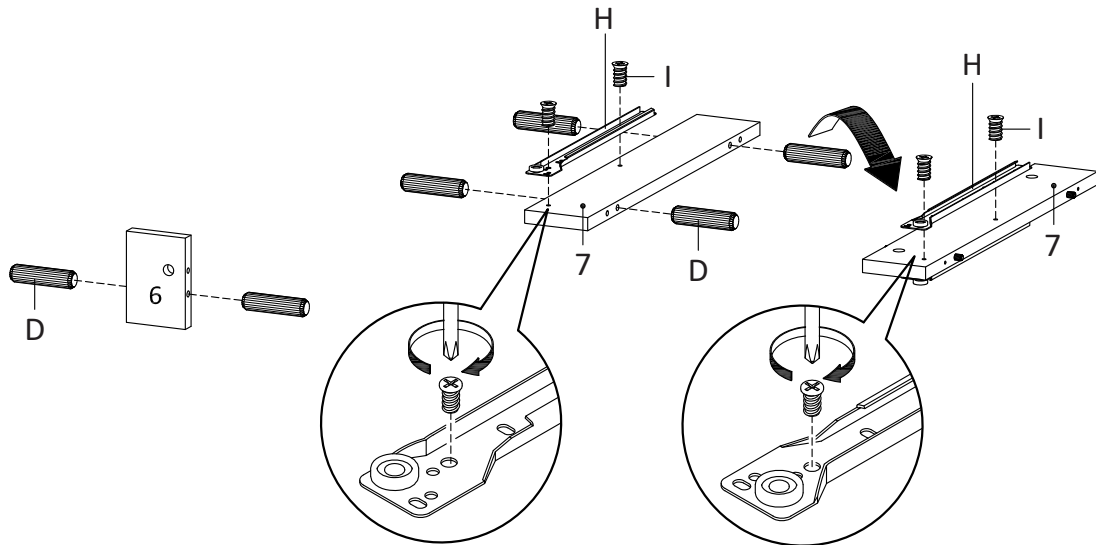
STEP 2:



		
Dx8	Ax2	Vx1

Hardware required.  
Screwdriver not included

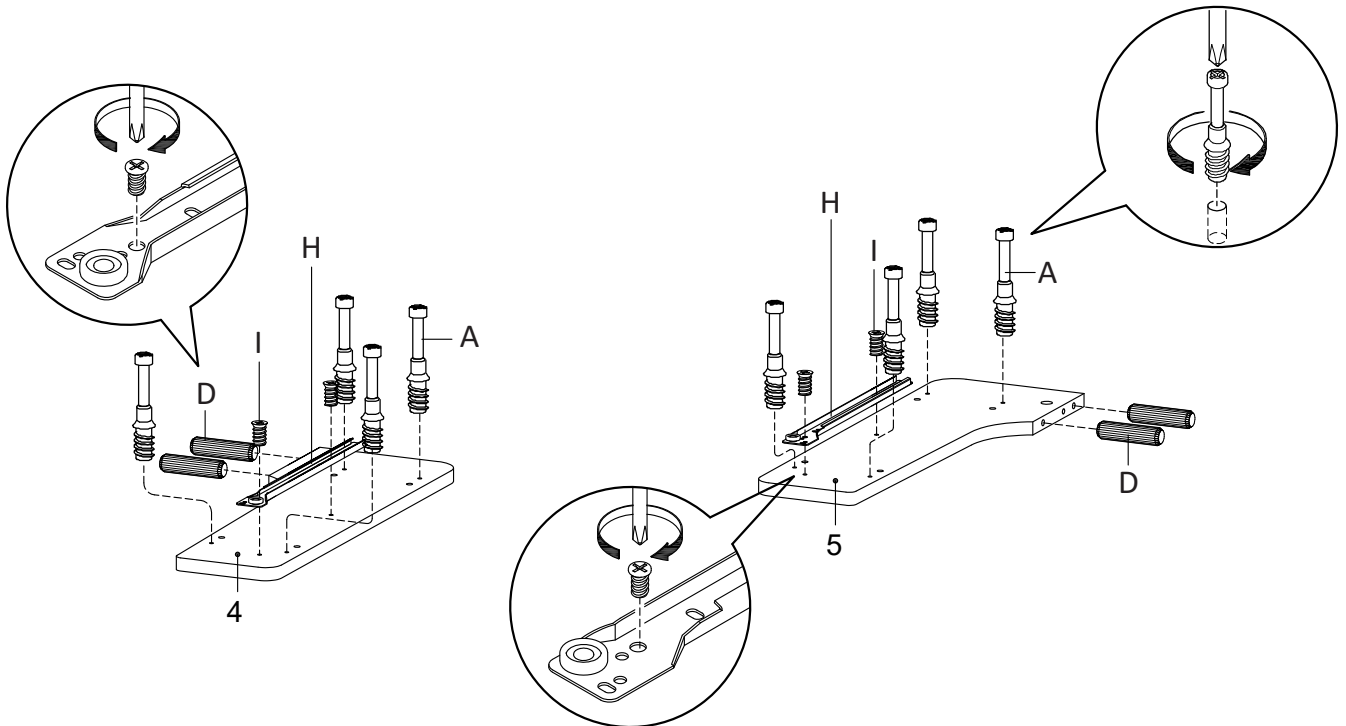
STEP 3:



Dx6	lx4	Hx1	Vx1

Hardware required.  
Screwdriver not included

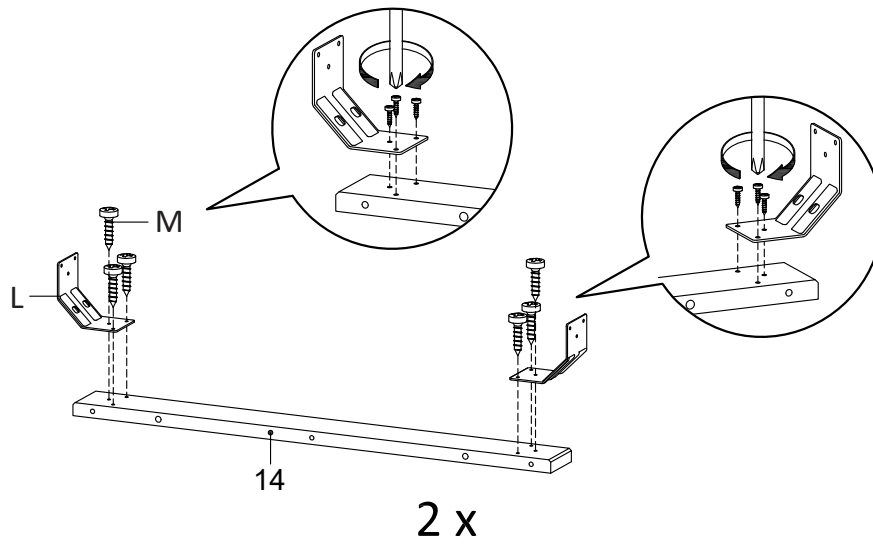
STEP 4:



Dx4	Ax8	lx4	Hx1	Vx1

Hardware required.  
Screwdriver not included

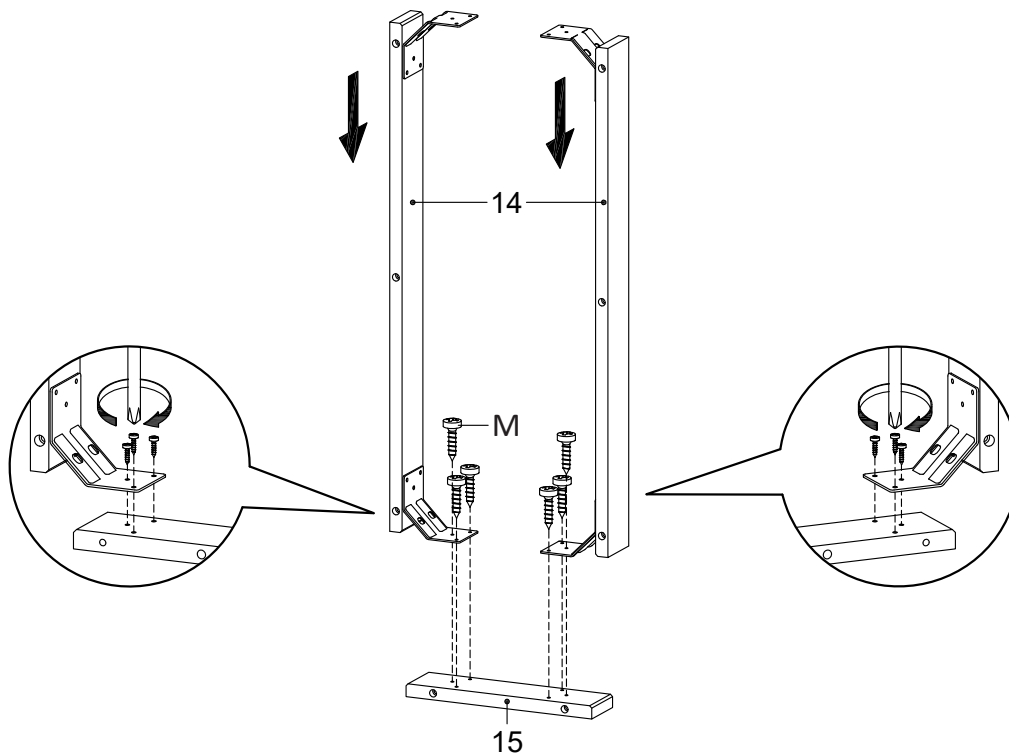
STEP 5:



Lx4	Mx12	Vx1

Hardware required.  
Screwdriver not included

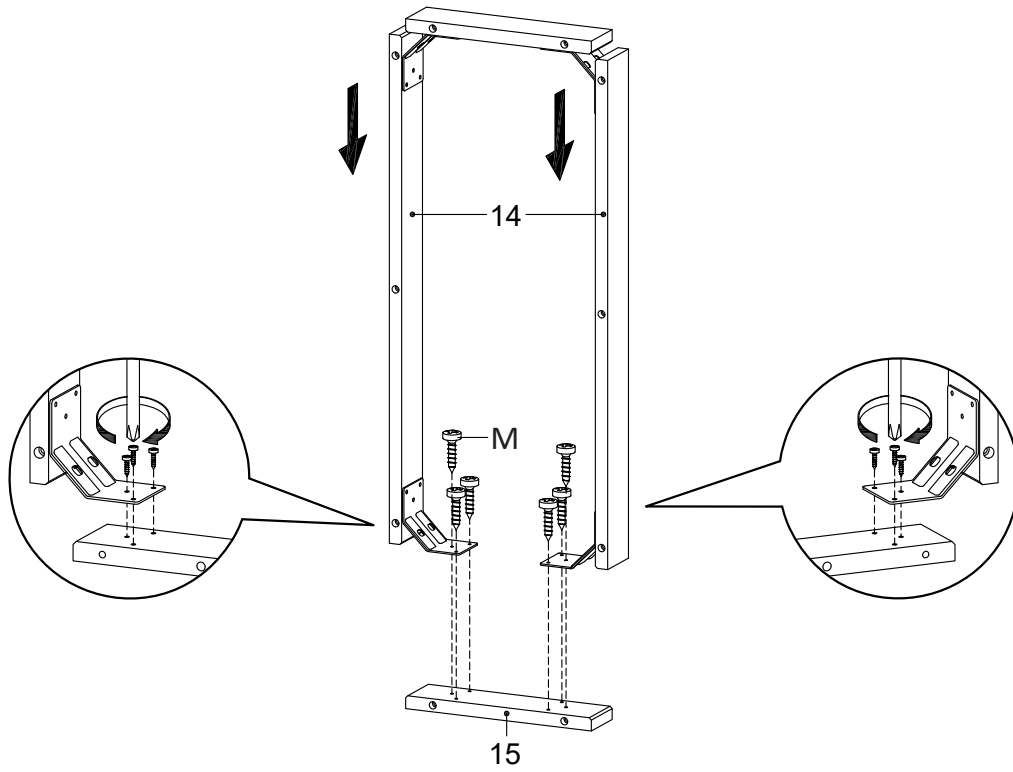
STEP 6:



Mx6	Vx1

Hardware required. Screwdriver not included

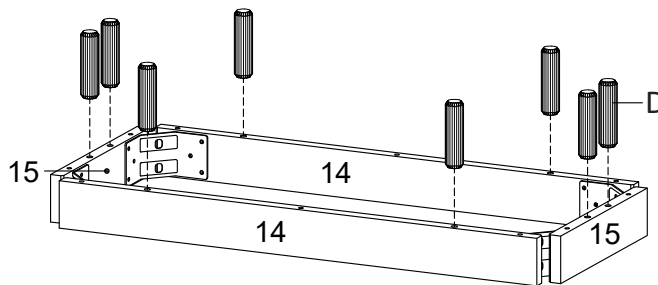
STEP 7:



Mx6	Vx1

Hardware required. Screwdriver not included

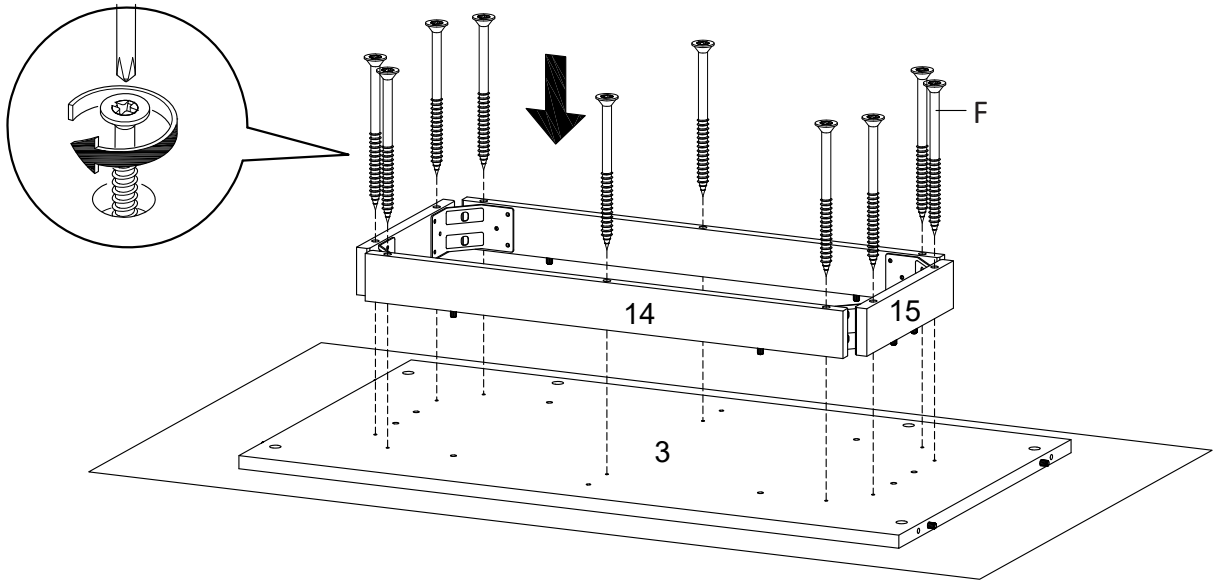
STEP 8:

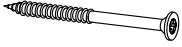
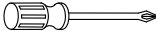


Dx8

Hardware required. Screwdriver not included

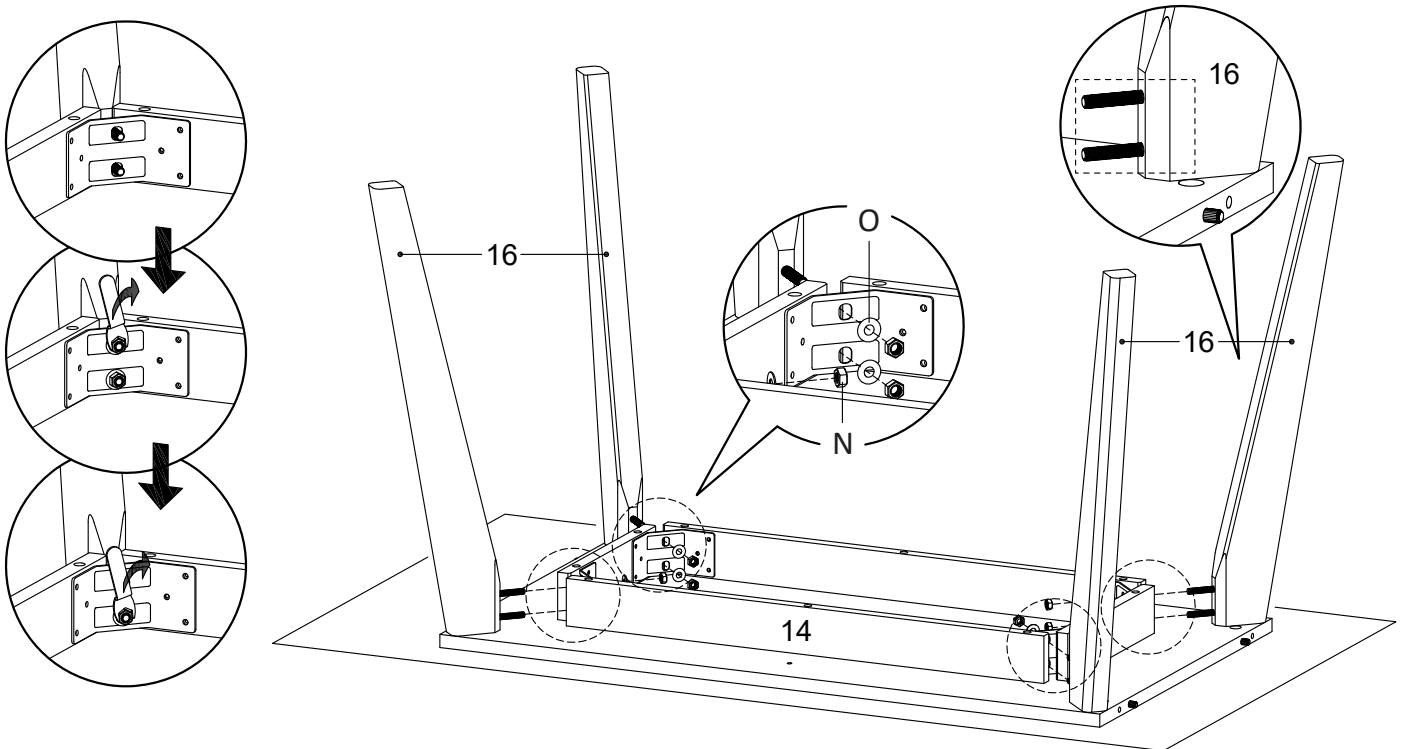
STEP 9:






	
Fx10	Vx1

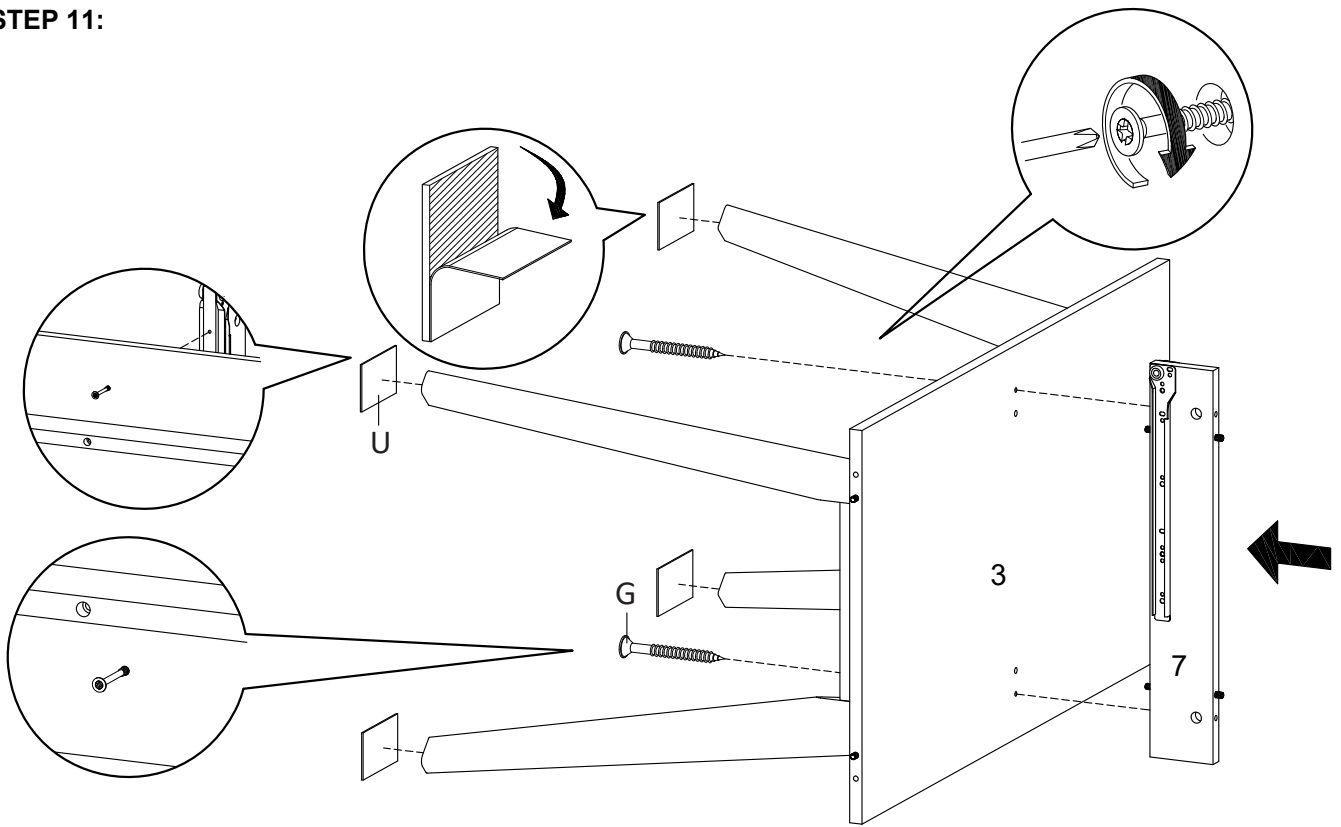
Hardware required. Screwdriver not included

STEP 10:



		
Nx8	Ox8	Px1

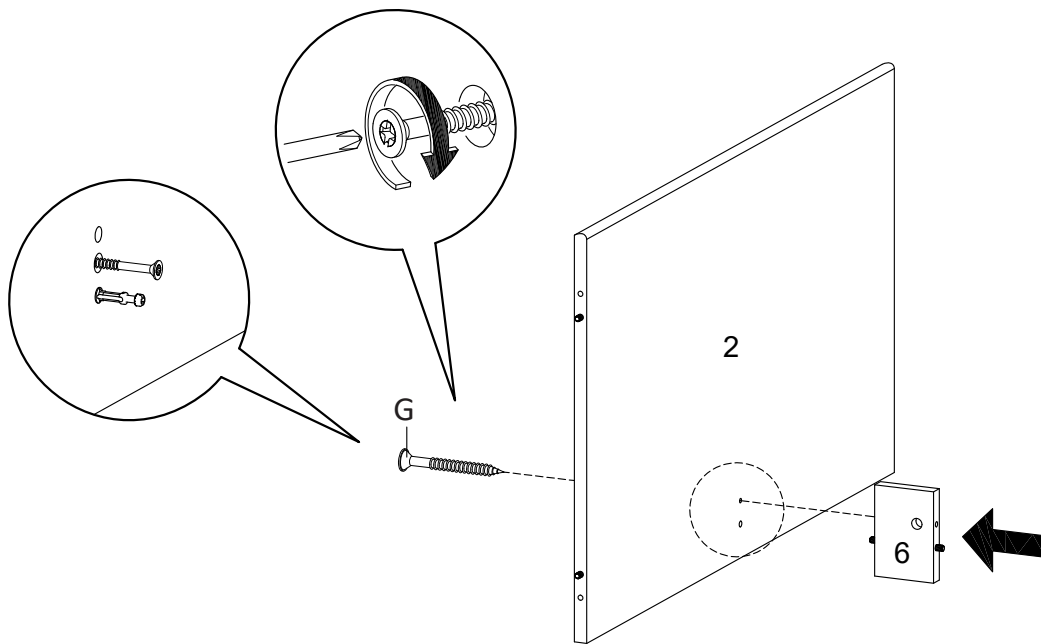
STEP 11:



Gx2	Ux4	Vx1

Hardware required. Screwdriver not included

STEP 12:

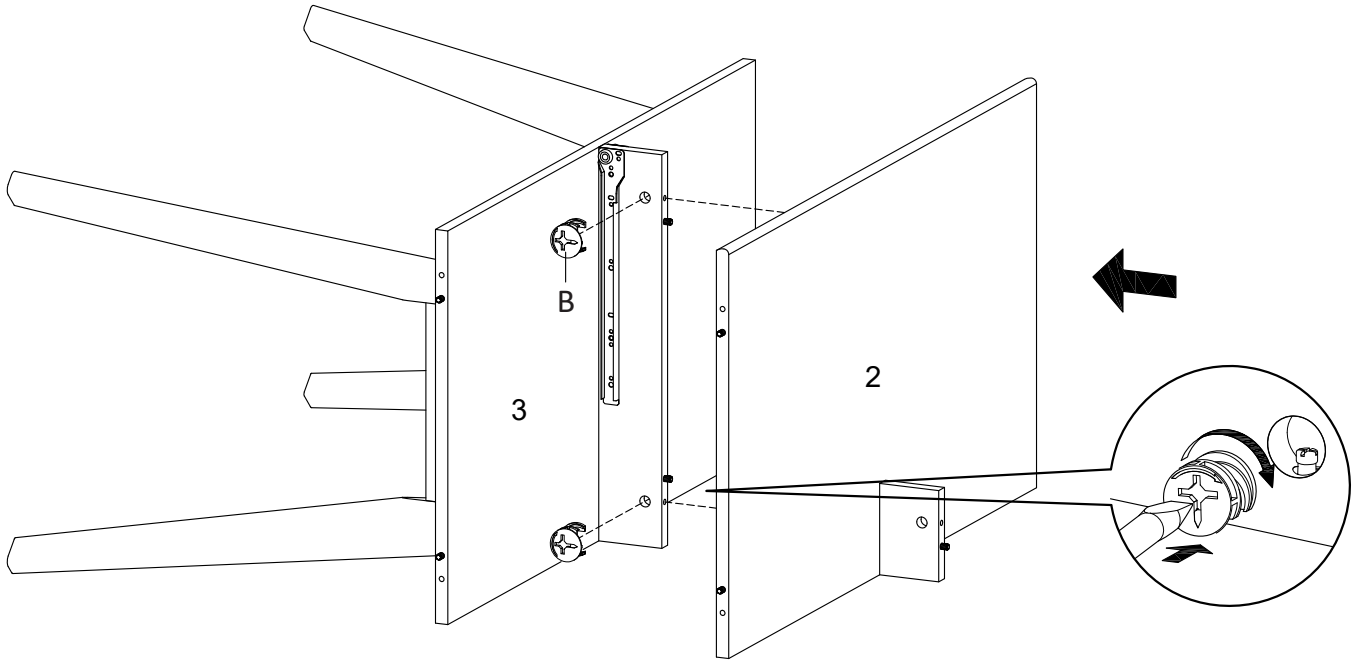


Gx1	Vx1

Hardware required. Screwdriver not included



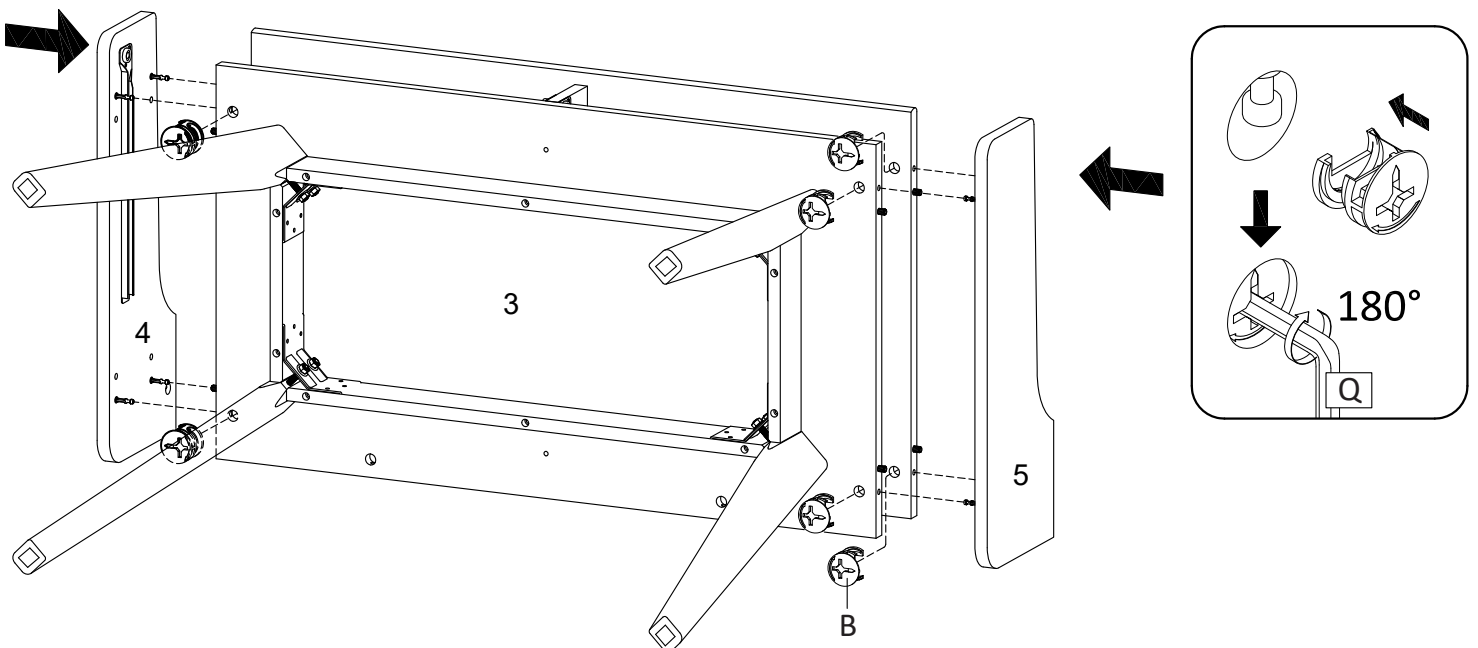
STEP 13:



Bx2	Vx1

Hardware required. Screwdriver not included

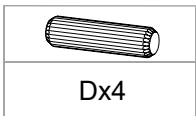
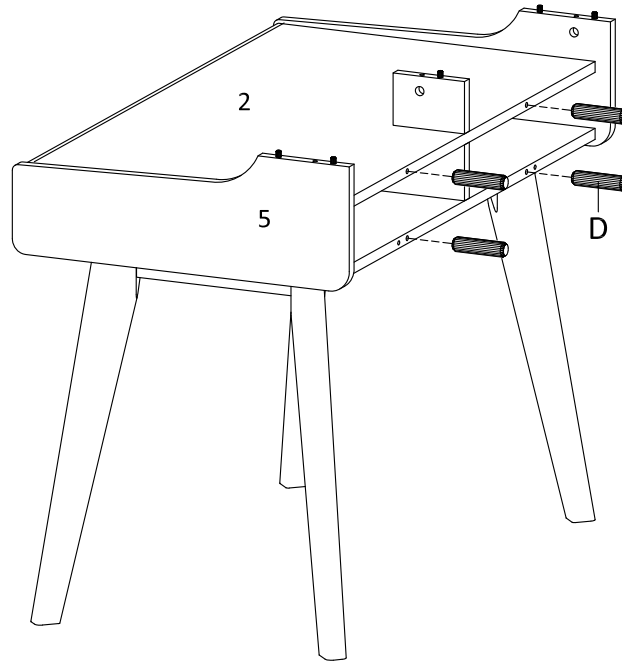
STEP 14:



Bx8	Qx1

Hardware required. Screwdriver not included

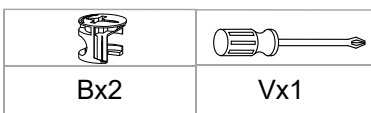
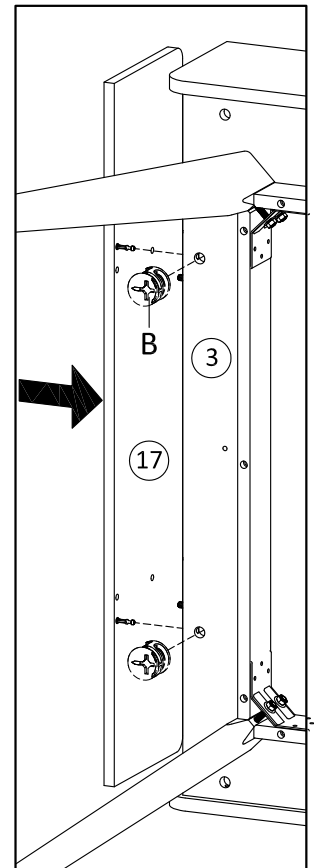
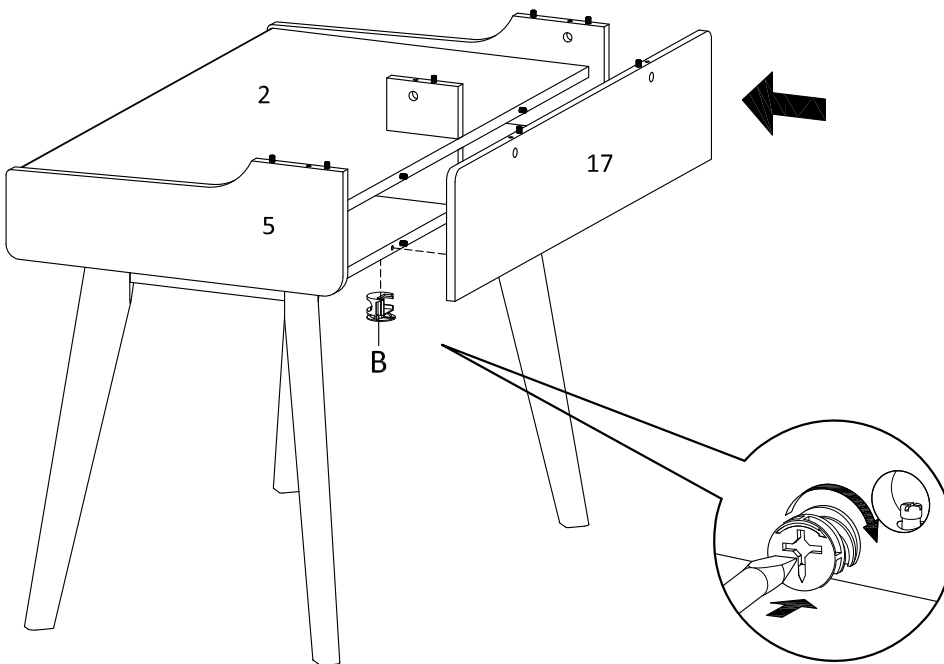
STEP 15:



Dx4

Hardware required. Screwdriver not included

STEP 16:

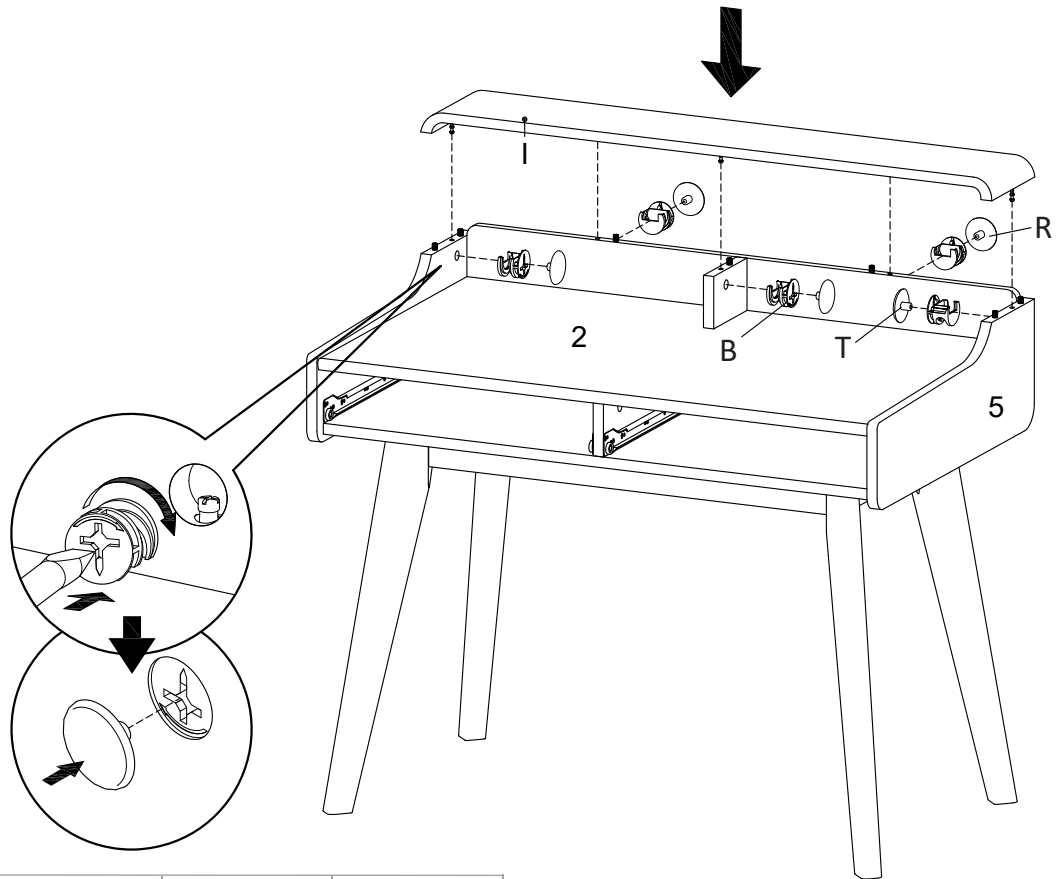


Bx2

Vx1

Hardware required. Screwdriver not included

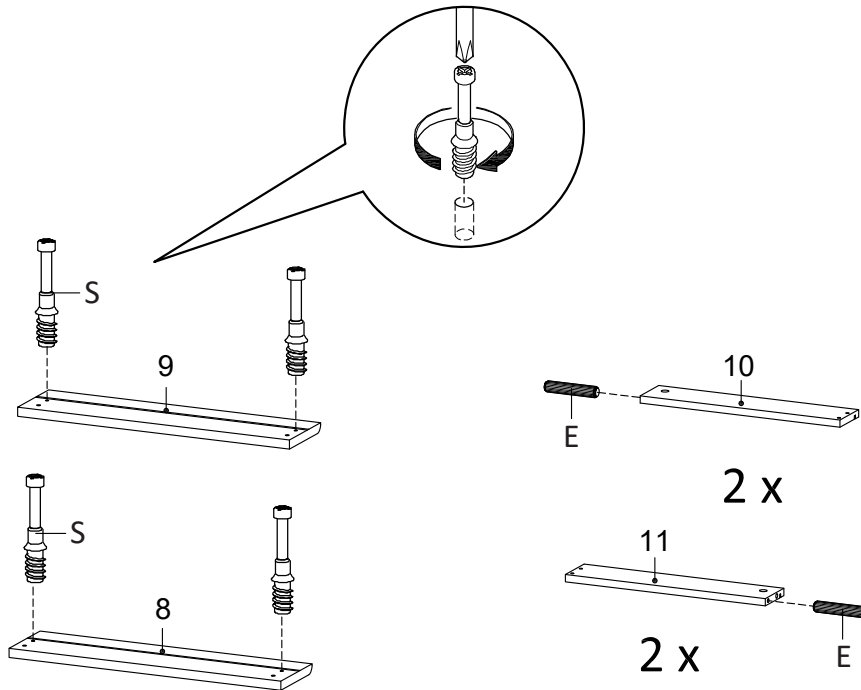
STEP 17:



Bx5	Rx2	Tx3	Vx1

Hardware required.  
Screwdriver not included

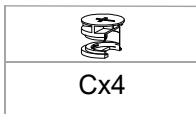
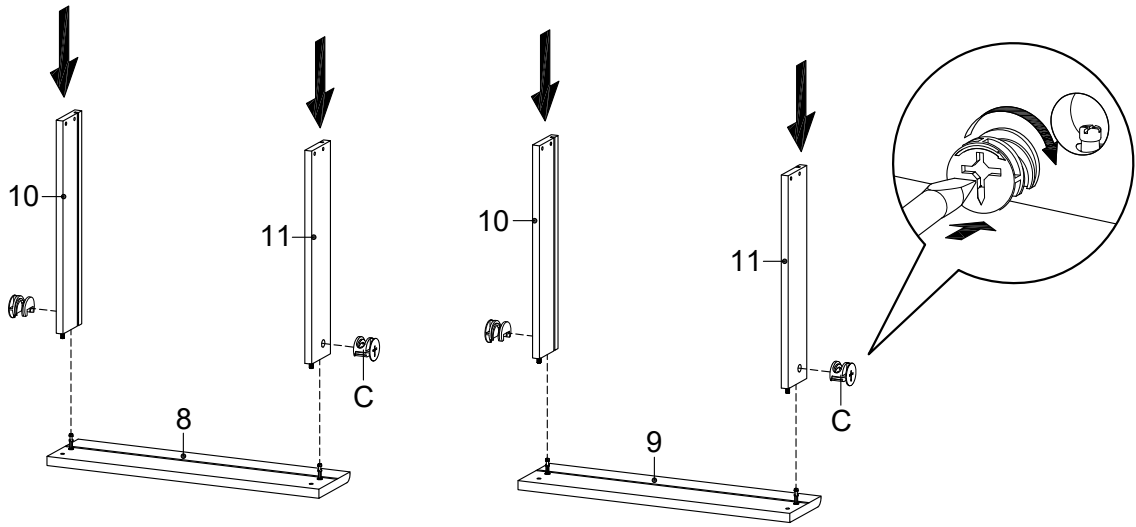
STEP 18:



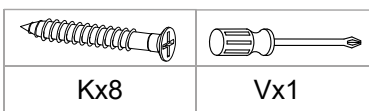
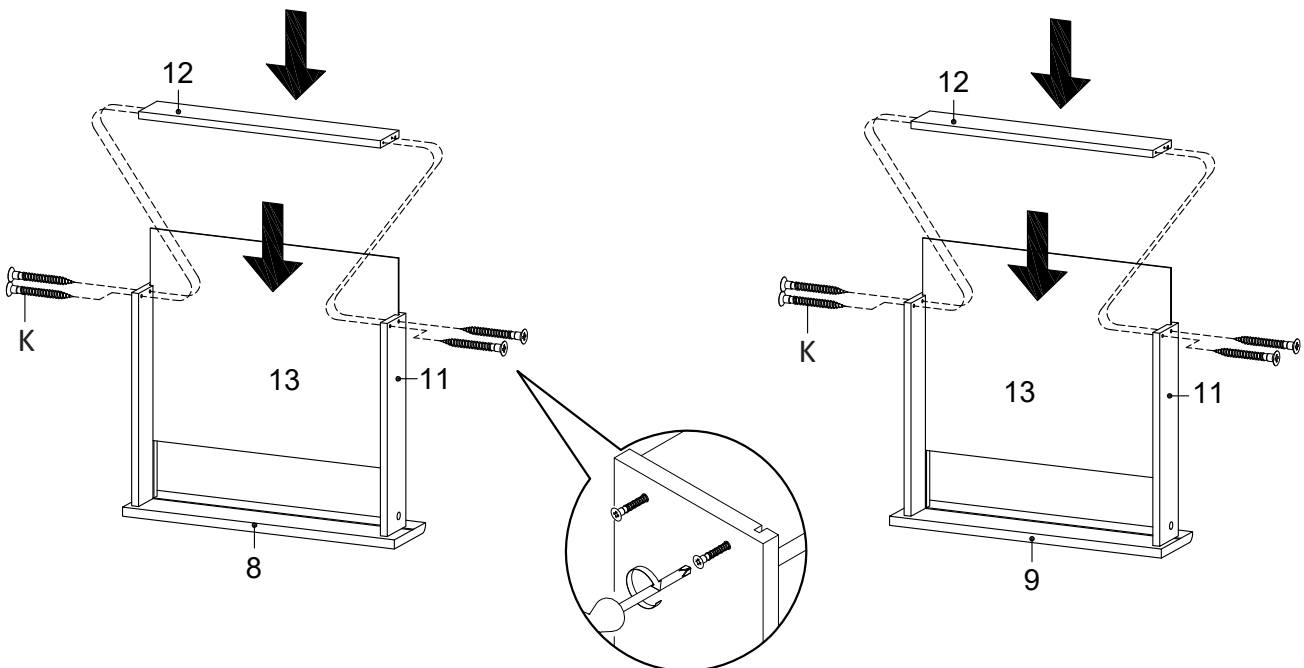
Sx4	Ex4	Vx1

Hardware required.  
Screwdriver not included

STEP 19:

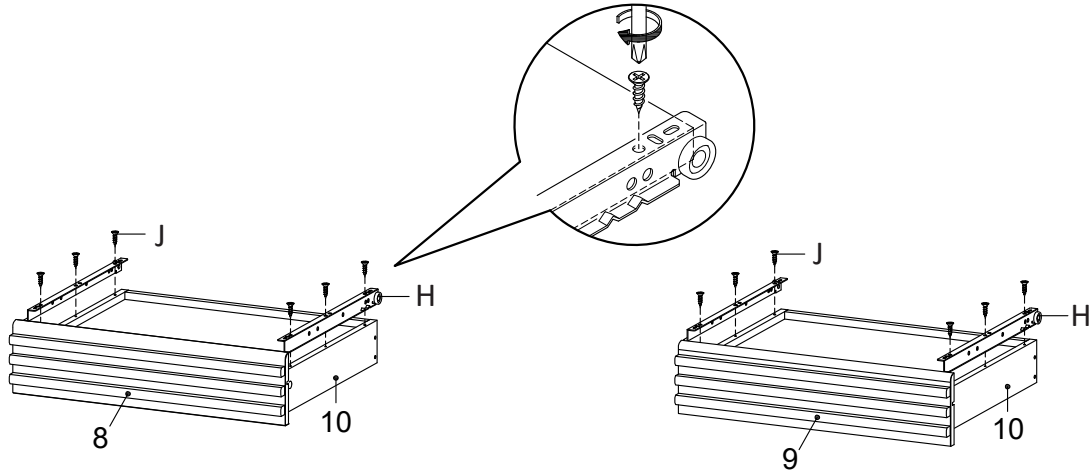


STEP 20:



Hardware required. Screwdriver not included

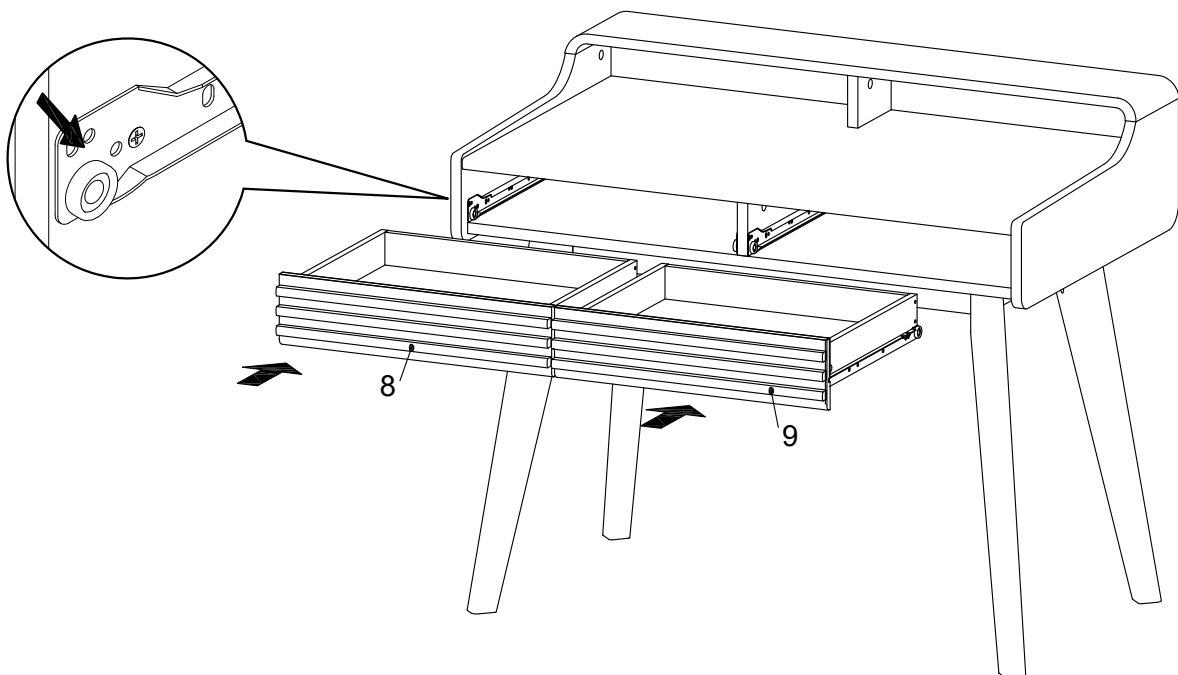
STEP 21:



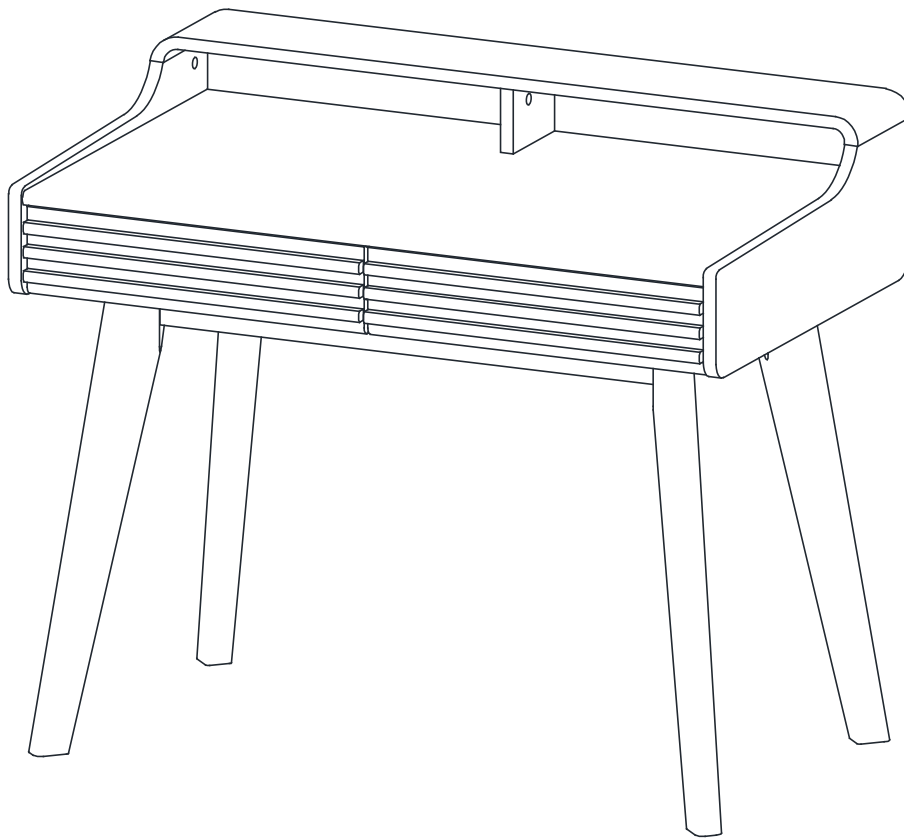
Hx2	Jx12	Vx1

Hardware required.  
Screwdriver not included

STEP 22:



STEP 23:



**Assembly is complete. The Desk is ready to enjoy now!**