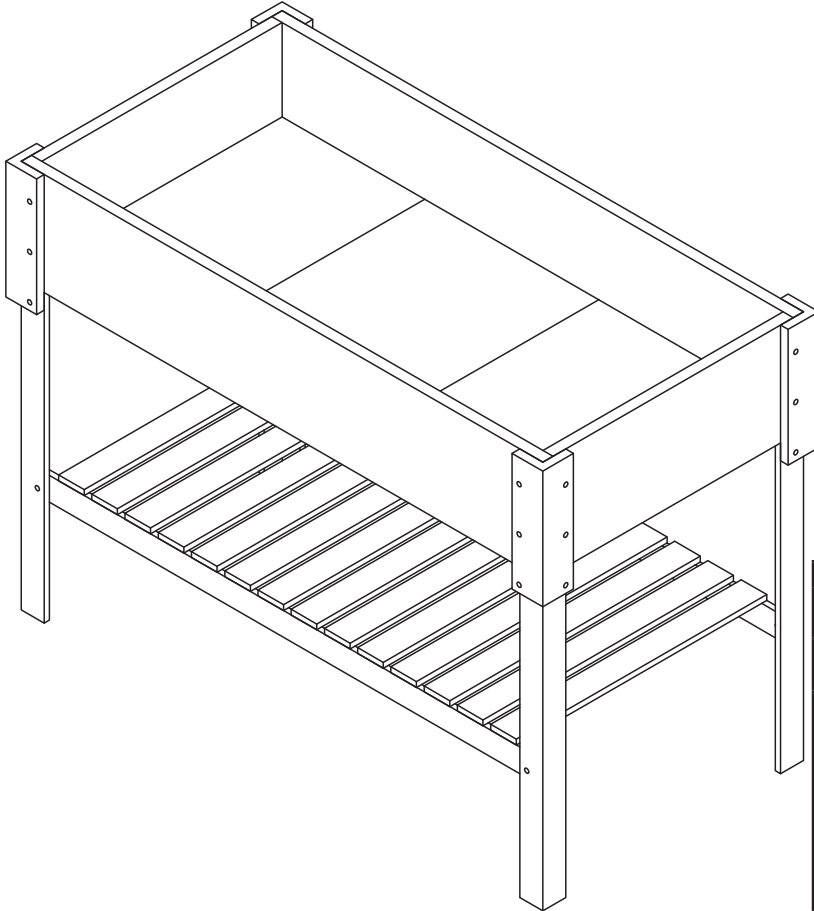


Thank you for choosing Sunnydaze Decor. We stand behind our brand and the quality of the items we sell. Replacement parts or products will be sent at our discretion within the 1-year warranty period. Proof of purchase, with the date of purchase as well as photos of the merchandise defect, must be provided. Photos are used to determine the cause of defects and for future quality control. Register your warranty at <https://tiny.cc/SunnydazeWarranty>. If you have any questions, comments or concerns, feel free to contact us by phone at 833-982-1977, by email: [customerservice@sunnydazedecor.com](mailto:customerservice@sunnydazedecor.com), or via our contact us page at <https://tiny.cc/SunnydazeContact>


# RAISED WOODEN GARDEN BED PLANTER BOX WITH SHELF

Read the assembly instructions carefully and follow the care instructions. Save this document for future reference.  
**Assemble components on a soft, clean surface to avoid scratching or damaging any surfaces.**


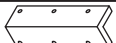
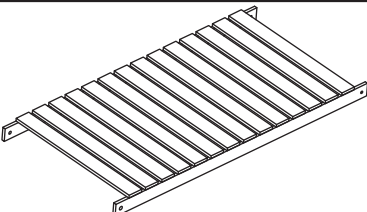
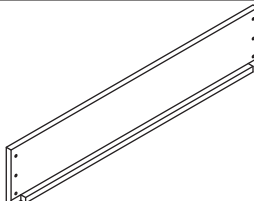
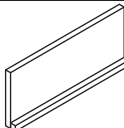
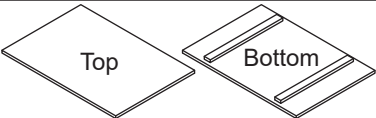
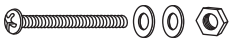



Inspect packaging to ensure all parts are accounted for before disposing of packing materials.

**TOOLS REQUIRED (not included)**



Phillips Screwdriver      10mm Wrench

| No. | PARTS   |                  | QTY. |
|-----|---|------------------|------|
| A   |   | Leg              | 4    |
| B   |  | Corner Brace     | 4    |
| C   |   | Shelf            | 1    |
| D   |   | Side Panel       | 2    |
| E   |  | End Panel        | 2    |
| F   |   | Bottom Panel     | 3    |
| G   |   | M6x40mm Bolt Set | 12   |
| H   |  | Screw            | 28   |

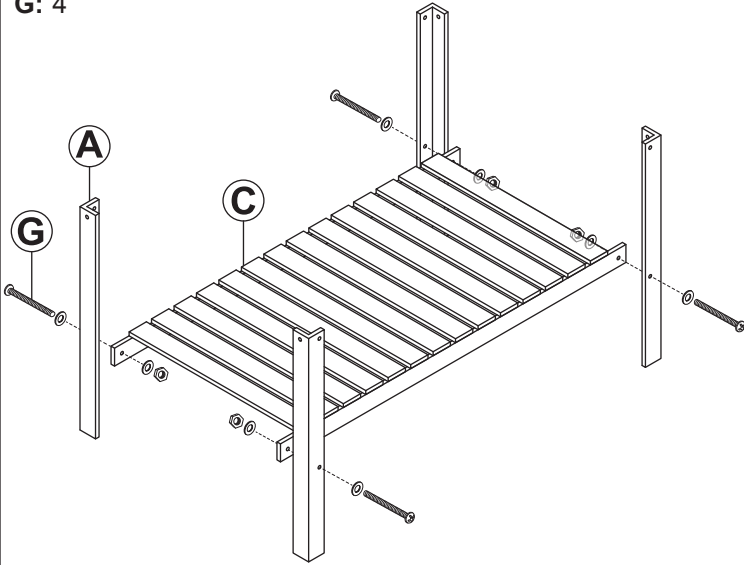
**⚠ WARNING ⚠**

**CHOKING HAZARD** — This item contains small parts that can be swallowed. Keep children away during assembly.

# ASSEMBLY

## STEP 1

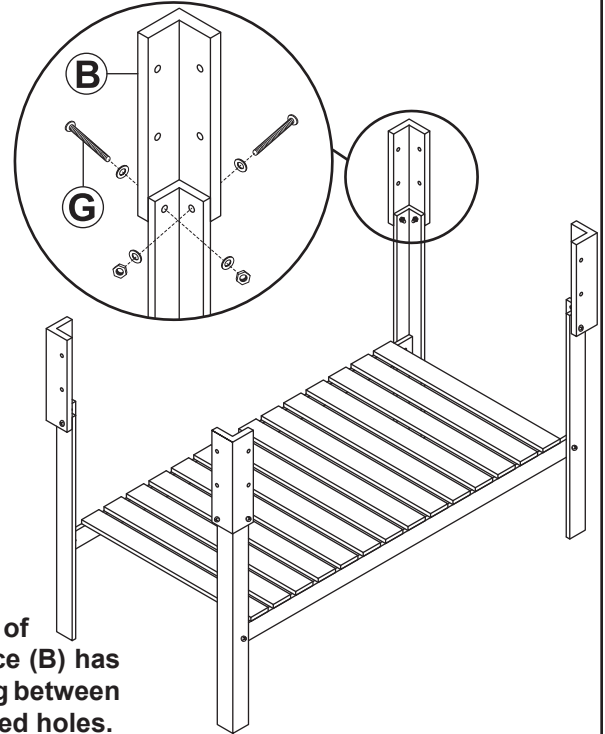
A: 4  
C: 1  
G: 4



Attach 4x Leg (A) to Shelf (C) by hand-tightening 4x M6x40mm Bolt Set (G), as shown.  
Do not over-tighten hardware.

## STEP 2

B: 4  
G: 8



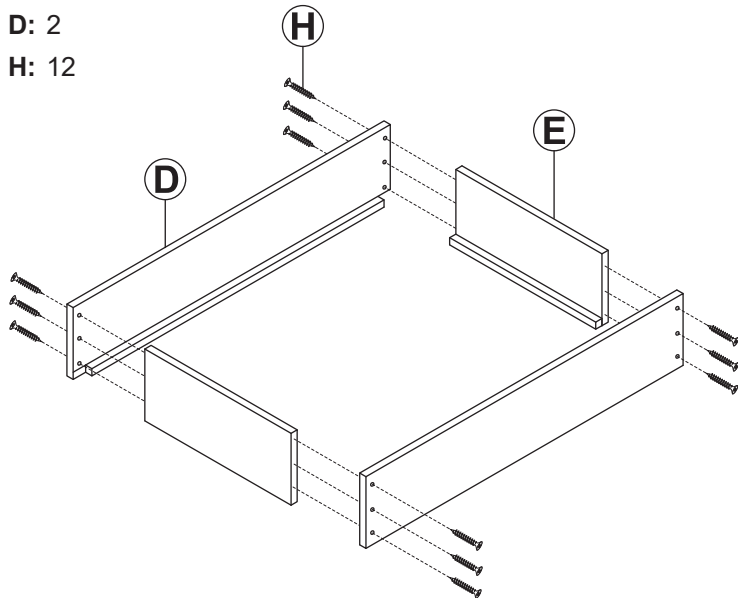
### NOTE:

The bottom of Corner Brace (B) has less spacing between the pre-drilled holes.

Align the bottom hole of Corner Brace (B) with the outside of Leg (A). Secure by hand-tightening 2x Bolt Set (G). Repeat to connect remaining corner braces.  
Do not over-tighten hardware.

## STEP 3

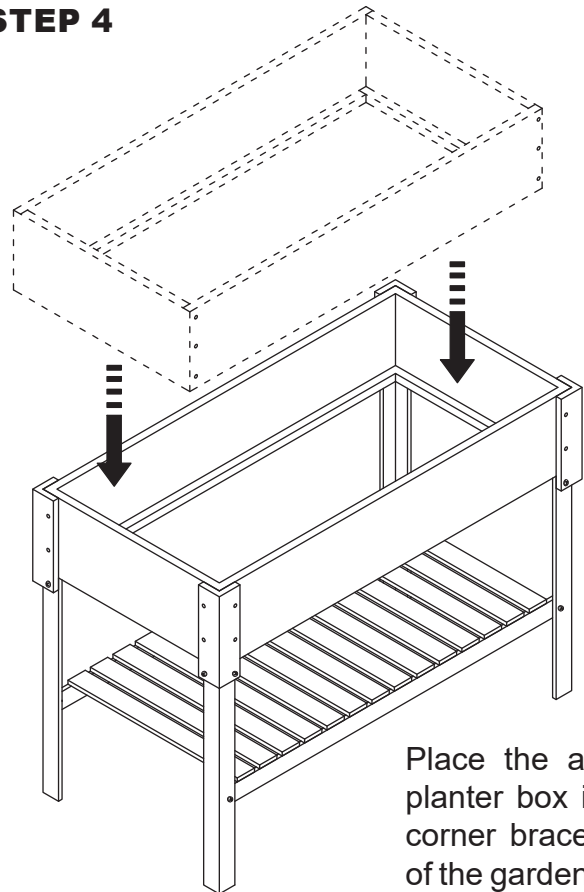
E: 2  
D: 2  
H: 12



Ensuring the lipped edges on the bottom, align Side Panel (D) with End Panel (E) and firmly secure using 3x Screw (H). Repeat until planter box frame is assembled.

Do not over-tighten hardware.

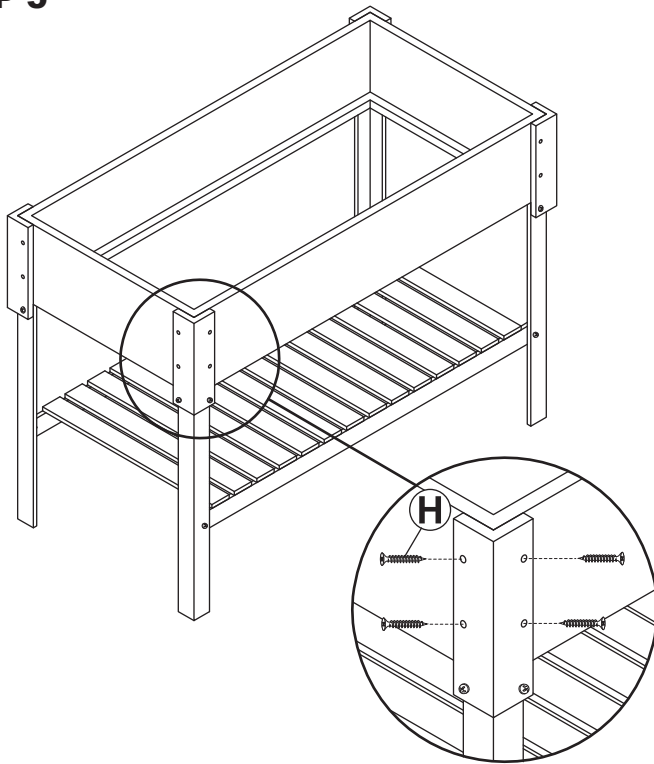
## STEP 4



Place the assembled planter box inside the corner braces, on top of the garden box legs.

## STEP 5

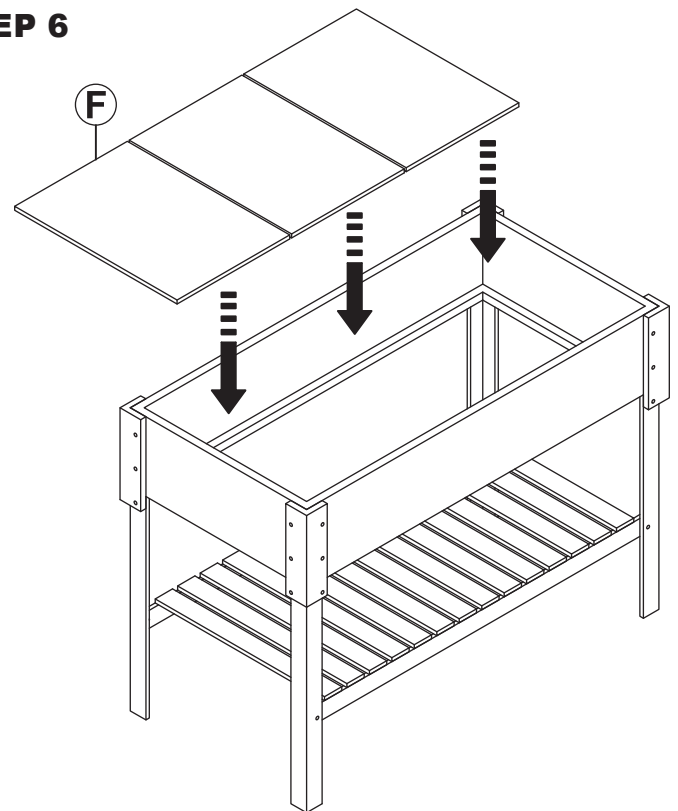
H: 16



Secure the planter box by tightening 4x Screw (H) into the top holes in each corner brace.

## STEP 6

F: 3



Place 3x Bottom Panel (F) into the planter box. Firmly tighten all hardware using a screwdriver and wrench, tool not included. Do not over-tighten the hardware as it may cause wood to crack.

# Care & Maintenance

**LEVEL SURFACE:** Select a flat, level surface to place this item before filling and using it.

**INSPECT:** Periodically check all bolts and screws and tighten as necessary.

**MOVING:** Do not move the garden bed while it is full or in use. When empty, and with assistance of another person, lift beneath the side panels of the planter box. Do not drag the garden bed as doing so will weaken assembly points and could cause breakage.

**CLEANING:** Follow the woodgrain with a soft brush or cloth to remove dust, dirt and debris. Do not use chemicals or abrasive materials as they will damage the wood and/or finish.

**STORAGE:** Maintain the appearance and prevent damage by emptying and storing this item indoors when not in use.

Wood expands when wet and contracts when it dries. Repeated and excessive exposure to moisture, rain or snow can cause damage to the product. Resulting damage includes, but is not limited to, assembly points becoming loose, wood cracking, mold and mildew growth, and hardware rust.

## ! HELPFUL HINT

Lining the planter box with landscaping fabric is recommended. Lining the planter box can help insulate the soil against extreme temperatures, help retain soil moisture, prevent soil from escaping through the bottom, and could help maintain the appearance of the wood.

**Any modification to the product or failure to follow recommended care will void the product warranty.**

## ! WARNING:

Manufacturer and seller expressly disclaim any and all liability from personal injury, property damage or loss, whether direct or indirect, or incidental, resulting from the incorrect attachment, improper use, inadequate maintenance, or neglect of this product.