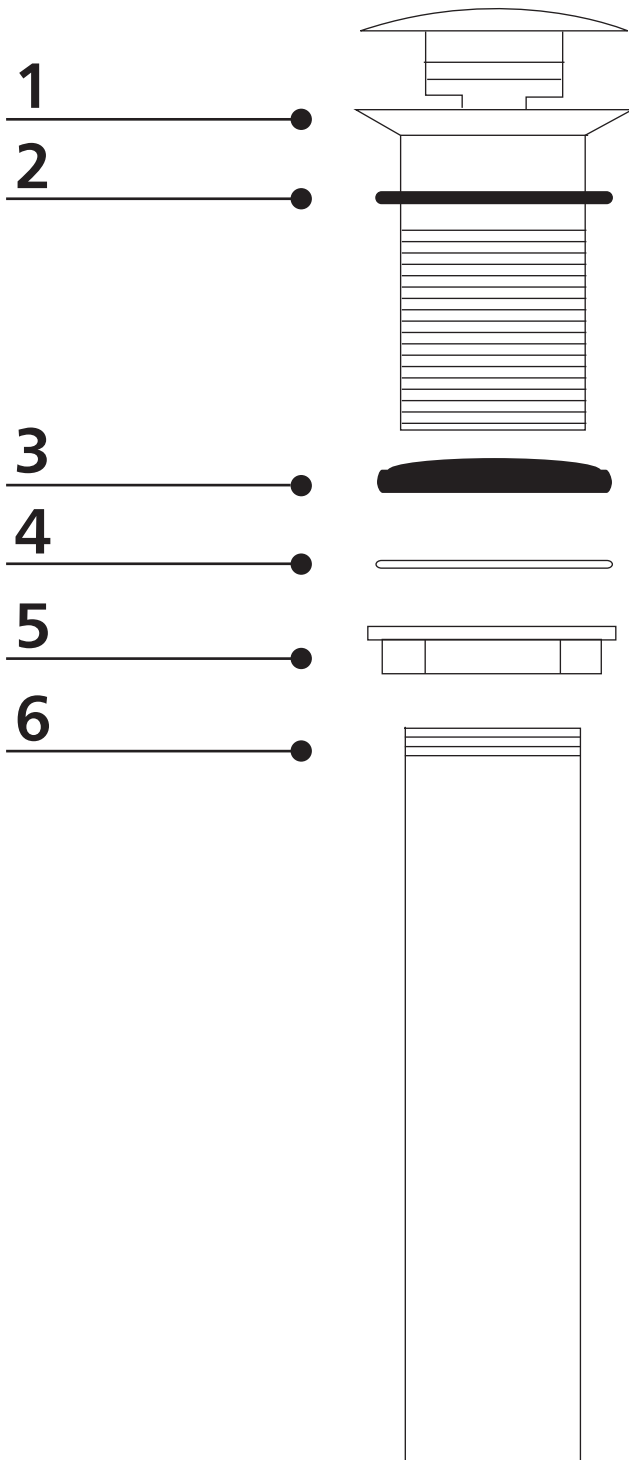


INSTALLATION INSTRUCTIONS

1.5" Push to Seal Drain, DR130



1. Separate all mounting hardware as shown.
2. Either apply 100% Silicone (non-water based) to underside of flange (1) OR place rubber seal washer (2) directly under the flange and then place directly into drain opening of the sink
3. From underneath the sink slide the Rubber Gasket (3), the Retaining Washer (4), and the Lock Nut (5) onto the Threaded Seat (1) and tighten into position.
4. Wrap the threads on the Tailpipe (6) with Teflon Tape.
5. Screw Tailpipe (6) into the bottom of Threaded Seat (1)

Remove all excess silicone around the drain after the drain has been installed