

Neo™ Pressure Balance Diverter Valve Trim

FEATURES:

- Metal lever handles
- Plastic trim plate
- Includes mounting plate and hardware

VALVE OPTIONS:

- CPV-P-DV

STOCK FINISH:



PC BN

SPECIALTY FINISHES:



BBZ MB ORB PB PN

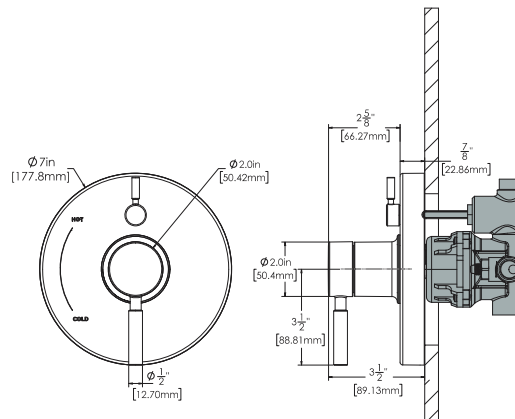
STANDARDS:

- ASME A112.18.1/CSA B125.1 certified
- ADA compliant

WARRANTY:

Visit www.speakman.com for full product warranty information

- Limited Lifetime Warranty (consumer)
- 5 Year Limited Warranty (commercial)



VALVE MOUNTING IS SHOWN FOR REFERENCE ONLY.
VALVE IS NOT INCLUDED WITH
CPT-1400-P / CPT-1400-KN

All dimensions are in inches (millimeters) unless otherwise specified and are subject to change without notice.

Architect/Engineer Approval Space:

SPEAKMAN
400 ANCHOR MILL ROAD
NEW CASTLE, DE 19720

P: 800-537-2107
F: 800-977-2747
W: WWW.SPEAKMAN.COM
R: 01-APRIL 2018