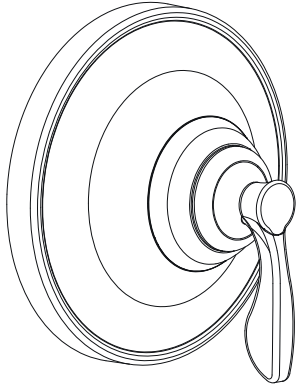


Instructions for Models:

CPT-10000-P



Need Help?

For additional assistance or service call:

SPEAKMAN Company
400 Anchor Mill Road
New Castle, DE 19720

PHONE: 800-537-2107
EMAIL: customerservice@speakmancompany.com
WEB: www.speakmancompany.com

92-CPT-10000-P-R1

What You Need To Know:

Tools:

Required:

*Phillips Screwdriver



Helpful:

*Tape Measure



Important Notes:

Be sure to read instructions thoroughly before beginning installation. Do not overtighten any connections or damage may occur.

Be sure to have properly adjusted the Temperature Limiting Stop (TLS) as per the Valve Installation Instructions before installing Valve Trim.

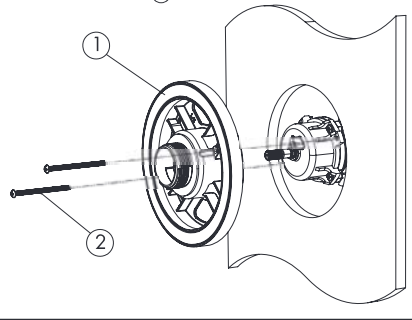
Safety Tips:

Cover your drain to prevent loss of parts.

Maintenance:

Your new Valve Trim is designed for years of trouble-free performance. Keep it looking new by cleaning it periodically with a soft cloth. Avoid abrasive cleaners, steel wool, and harsh chemicals as these will dull the finish and void your warranty.

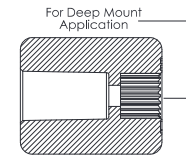
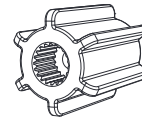
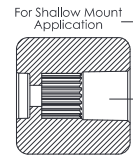
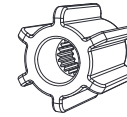
① Clean wall surface. Place Mounting Base① on to valve, align mounting holes, and secure with screws②.



④ When in should p inbetween



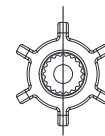
② There are 2 Connectors③ included to allow for both Shallow and Deep mount applications. Please select Connector appropriate for your installation.



⑤ Place Es to orient



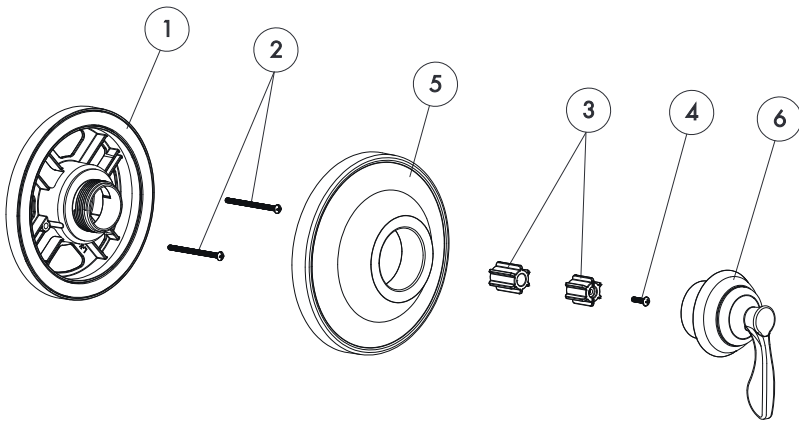
③ Confirm that the valve is in the "OFF" position. Place appropriate Connector③ on spindle of valve making sure to orient the Connector so that one set of splines are in a perfectly vertical position.



③

⑥ Align Ha Escutche vertical p on to Mo





RPG05-0874 ② ③ ④
 RPG10-0107-(PC,BN) ⑤
 RPG04-0420-(PC,BN) ⑥

