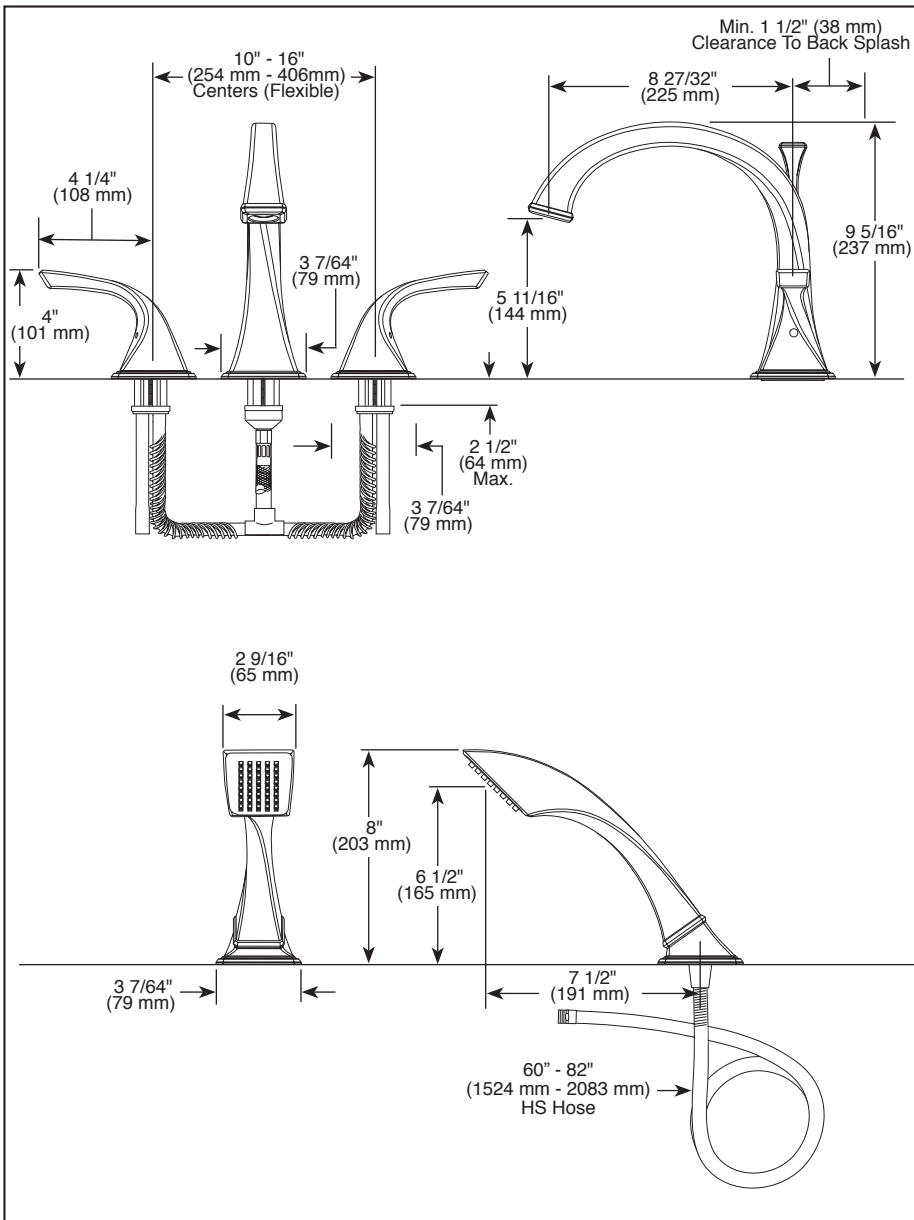


T67430▲

Submitted Model No.: _____

Specific Features: _____



▲ Designate Proper Finish Suffix

BRIZO®

BATH VALVES

- Virage® Collection
- Two-Handle Roman Tub Valve
- Trim Only
- Rough-In Kit Must Also be Ordered to Complete Installation (R64707)
- Flexible Deck or Ledge Mount

STANDARD SPECIFICATIONS:

- Four hole mount
- Valve mechanism shall be of the rotating cylinder type with 180° rotation
- Ceramic disc valving
- Adjustable rough-in for thick and thin deck installations
- Handshower has two integral check valves for backflow protection
- Handshower maximum 1.75 gpm @ 80 psi, 6.6 L/min @ 550 kPa

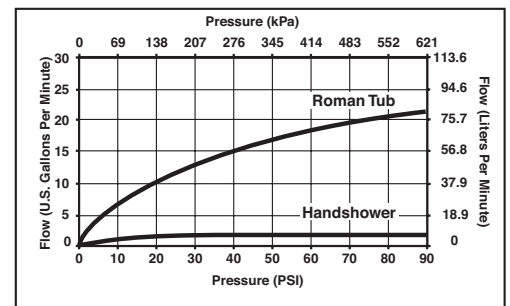
WARRANTY

- Lifetime limited warranty on parts (other than electronic parts and batteries) and finishes; or, for commercial users, for 5 years from date of purchase.
- 5 year limited warranty on electronic parts (other than batteries); or, for commercial users, for 1 year from the date of purchase. No warranty is provided on batteries.



COMPLIES WITH:

- ASME A112.18.1 / CSA B125.1
- Indicates compliance to ICC/ANSI A117.1- Valve control only
- EPA WaterSense® - Applies to handshower only - RP62451*



Brizo Kitchen & Bath Company reserves the right (1) to make changes in specifications and materials, and (2) to change or discontinue models, both without notice or obligation. Dimensions are for reference only. See current full-line price book or www.brizo.com for finish options and product availability.