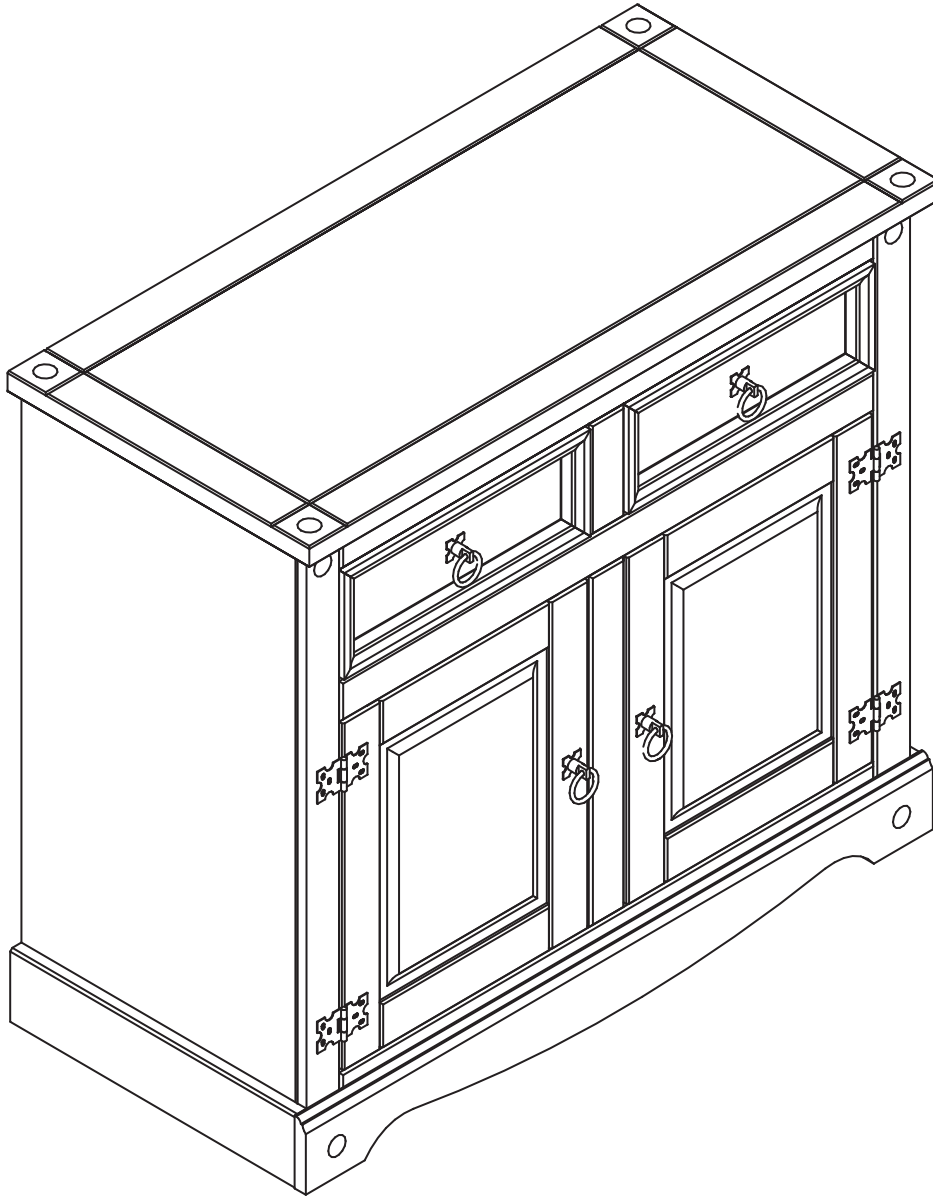


SIDEBOARD CABINET WITH DRAWERS AGR-416

Carefully review assembly and care instructions before using this product. Save this document for future reference.
Assemble components on a soft, clean surface to avoid scratching or damaging the finish.



2-PERSON
ASSEMBLY
RECOMMENDED

! HELPFUL HINTS

Sunnydaze Decor advises reviewing this manual fully, and assembling the unit soon after purchase. Check that all parts are accounted for and familiarize yourself with the assembly before beginning.

SAVE THIS MANUAL FOR FUTURE REFERENCE.

INTRODUCTION

Read the manual carefully to ensure you fully understand all use, care, assembly, and safety information.



Read this manual carefully and follow the assembly instructions in the order listed. Pay close attention to assembly drawings.



Regularly clean with a clean microfiber cloth to prevent dust accumulation.



Do not paint the unit.
Do not use abrasive materials or cleaners to clean the furniture.



Indoor use only.
Do not expose the furniture to heat or humidity.



When cleaning nearby the furniture, do not allow contact with water or cleaners as it may deteriorate the furniture.



Do not allow metal components to come in contact with water or cleaners as it may cause rust and staining.



Assemble on a soft, flat, clean, and dry surface.



Use a soft, protective barrier when assembling the furniture.

TIP: Use the box carton as a protective layer to separate and protect the parts from scratches and other damage during assembly.



Do not push or drag furniture as doing so may damage the unit.

Only move furniture when it is empty.



Always ask for help when moving furniture.



Avoid Accidents - Do not climb, sit or stand on the furniture.

Do not allow children to play on or inside the furniture.



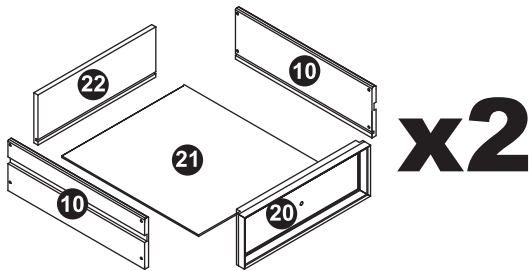
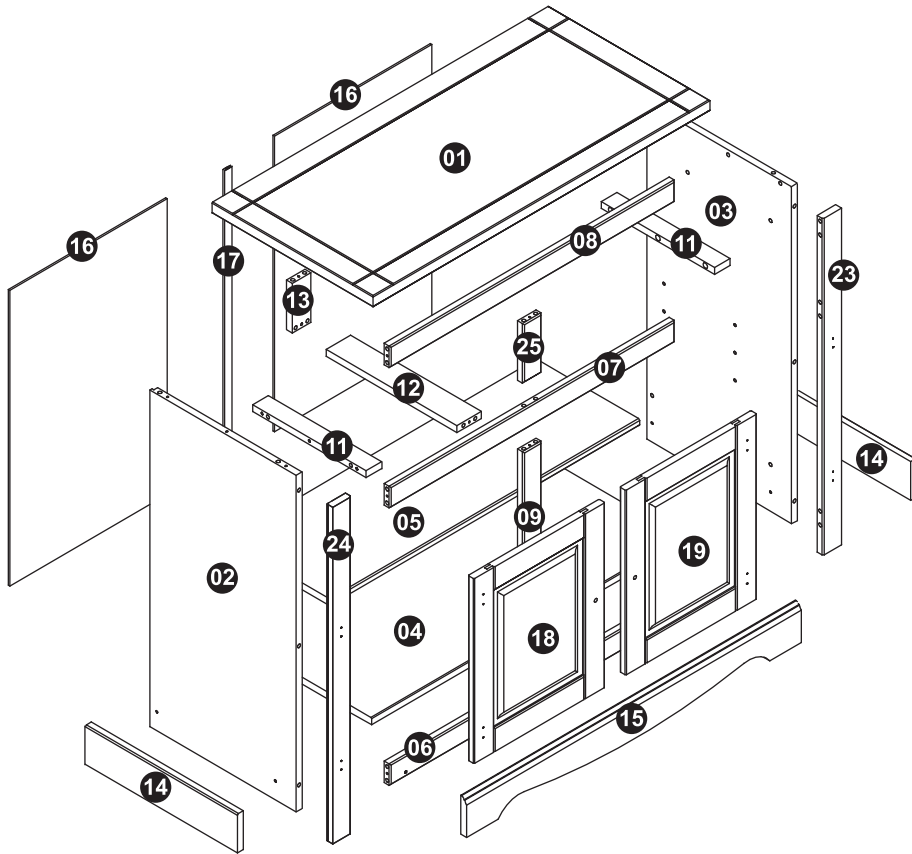
Keep sharp objects away as they may scratch or damage the unit.


Do not use the furniture as a writing surface without a padded barrier.

! NOTICE:

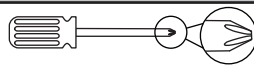
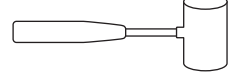
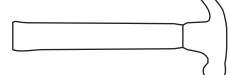
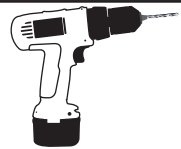
Manufacturer and seller expressly disclaim any and all liability from personal injury, property damage or loss, whether direct or indirect, or incidental, resulting from the incorrect attachment, improper use, inadequate maintenance, or neglect of this product.

COMPONENTS






















 Ensure all parts are accounted for before disposing of packaging.

⚠ WARNING
CHOKING HAZARD —
 This item contains small parts that can be swallowed. Keep children and pets away during assembly.

TOOLS REQUIRED (not included)	
	Phillips Screwdriver
	Rubber Mallet
	Hammer
	Power Drill, 6mm Drill Bit, 2mm Drill Bit

SEQ.	PART NAME	QTY.
01	Top	1
02	Left Side Panel	1
03	Right Side Panel	1
04	Bottom Panel	1
05	Shelf	1
06	Bottom Frame	1
07	Center Face Frame	1
08	Top Face Frame	1
09	Vertical Cabinet Face Frame	1
10	Drawer Side (L/R)	4
11	Outside Drawer Rail (L/R)	2
12	Center Drawer Rail	1
13	Center Drawer Rail Support	1
14	Side Trim Board (L/R)	2
15	Front Trim Board	1
16	Backing Board	2
17	Divider	1
18	Left Door	1
19	Right Door	1
20	Drawer Face	2
21	Drawer Bottom	2
22	Drawer Back	2
23	Right Stile	1
24	Left Stile	1
25	Vertical Drawer Face Frame	1

No.	HARDWARE	QTY.
A	 Wood Dowel	44
B	 M4.5x28mm Pan Screw	28
C	 M3.5x14mm Pan Screw	24
D	 M3.5x25mm Pan Screw	10
E	 Tack	8
F	 M4.5x25mm Pan Screw	6
G	 Handle Set	4
H	 Connector	12
J	 Catch	2
K	 Strike	2
L	 M3.5x30mm Flat Screw	16
M	 Hinge	4
N	 Shelf Pin	4
O	 M3x16mm Flat Screw	8
P	 Drawer Slide	4
Q	 M4x8mm Bolt	4
R	 M3x14mm Flat Screw	12
Y	 Wall Anchor Kit	1
Z	 8x8mm Nail	22

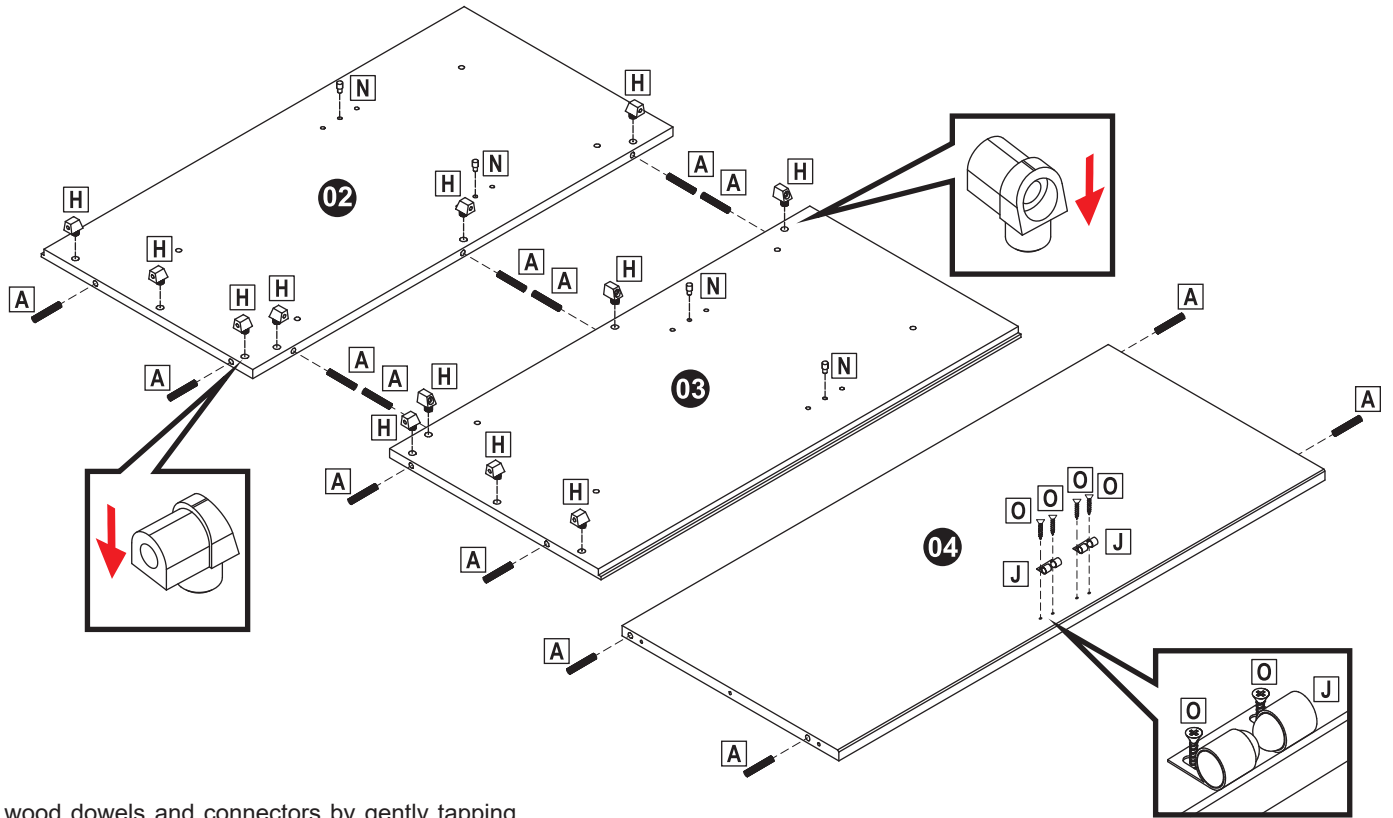
ASSEMBLY

Carefully review all steps and fully understand assembly before beginning.

IMPORTANT: Take care not to over-tighten screws as doing so may crack the wood or strip the screw hole, causing a weak connection and reduced stability.

STEP 1

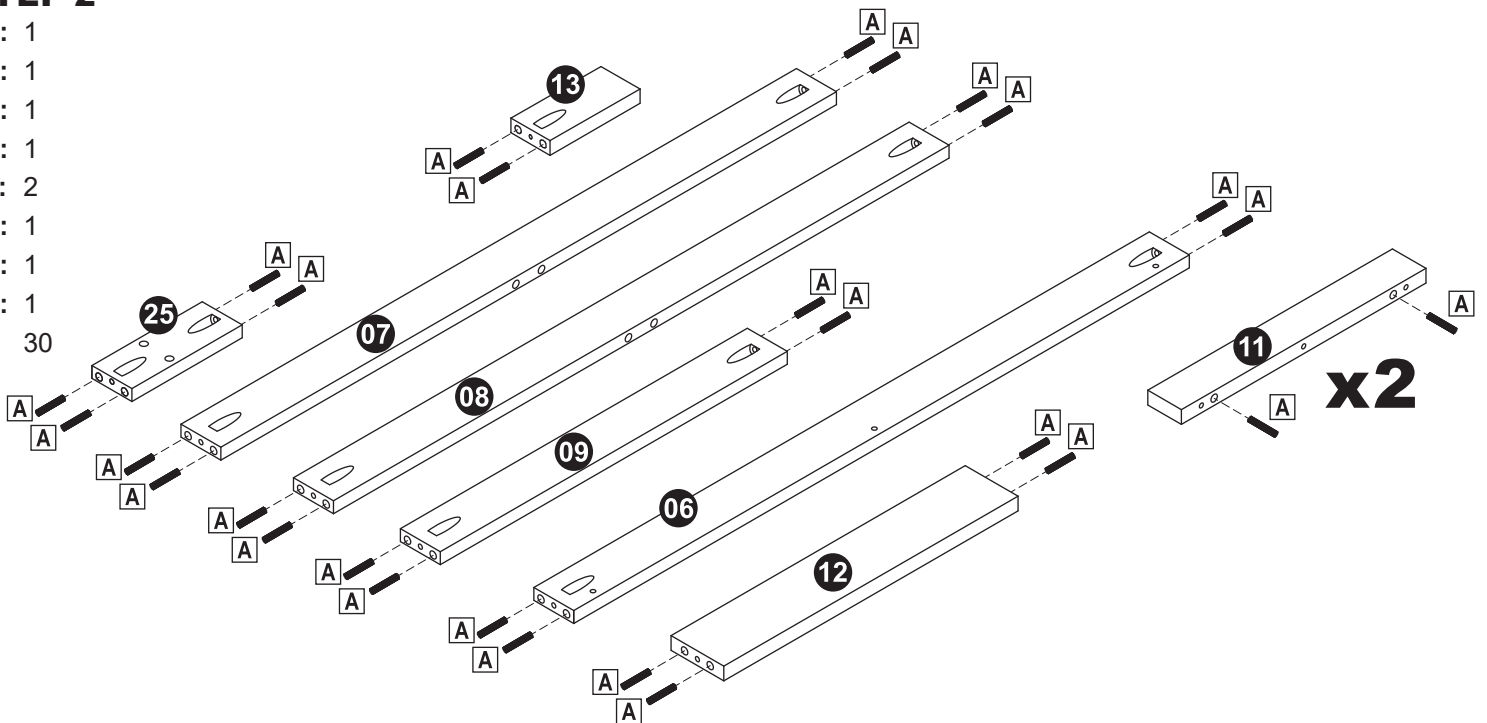
- 02: 1
- 03: 1
- 04: 1
- A: 14
- H: 12
- J: 2
- N: 4
- O: 4



TIP: Install wood dowels and connectors by gently tapping them into the designated holes using a rubber mallet.

STEP 2

- 06: 1
- 07: 1
- 08: 1
- 09: 1
- 11: 2
- 12: 1
- 13: 1
- 25: 1
- A: 30



STEP 3

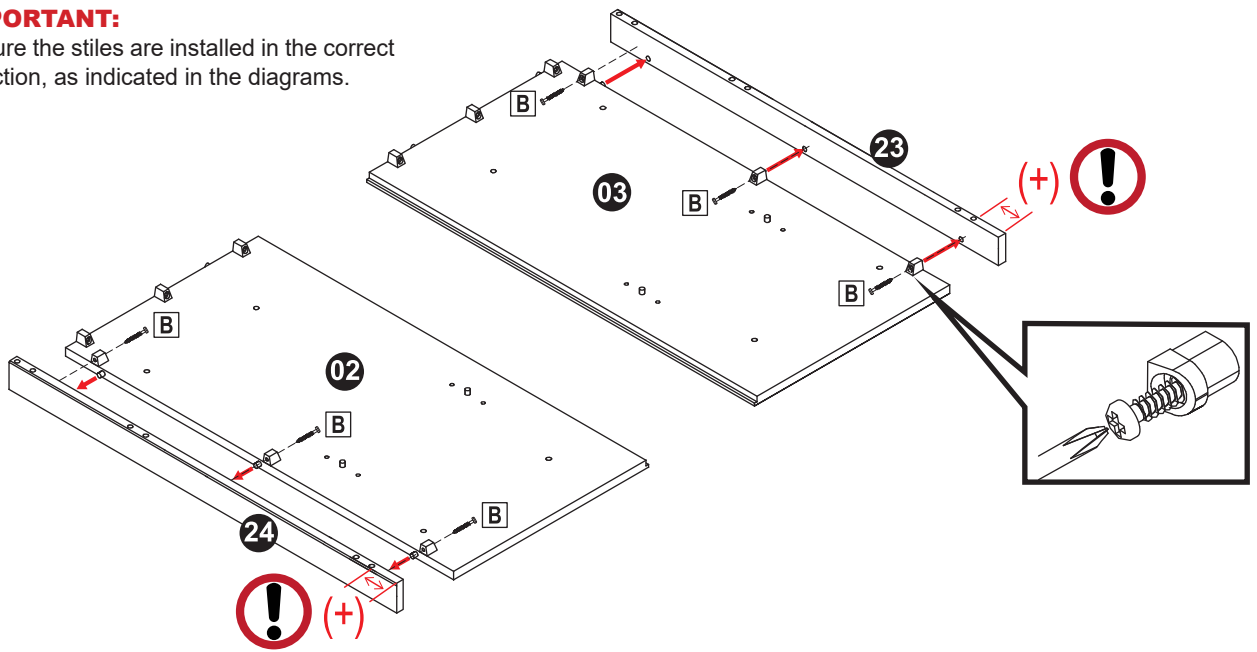
23: 1

24: 1

B: 6

IMPORTANT:

Ensure the stiles are installed in the correct direction, as indicated in the diagrams.

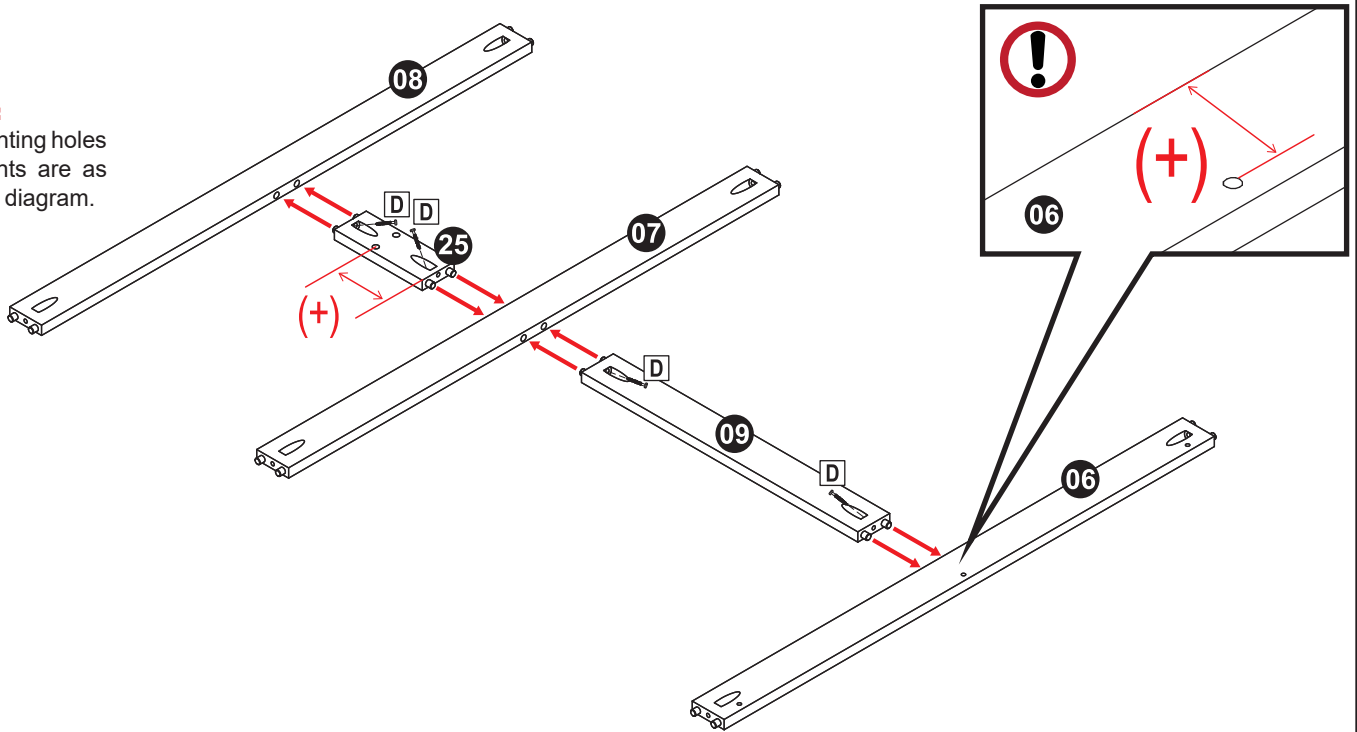


STEP 4

D: 4

IMPORTANT:

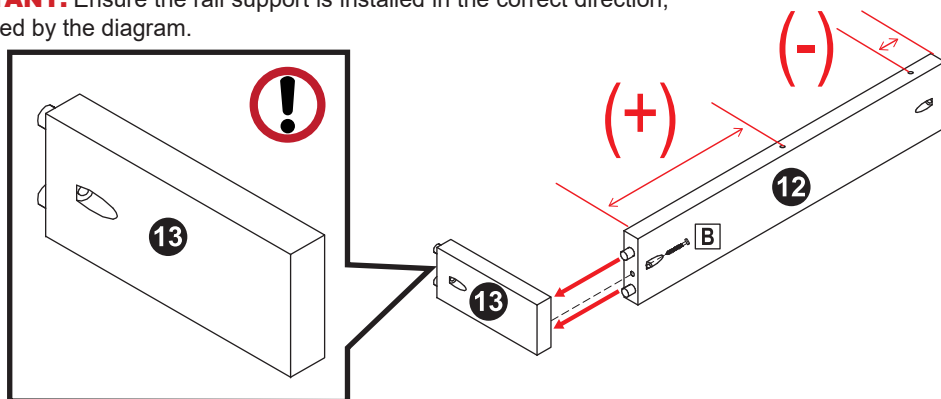
Ensure the mounting holes of all components are as indicated by the diagram.



STEP 5

B: 1

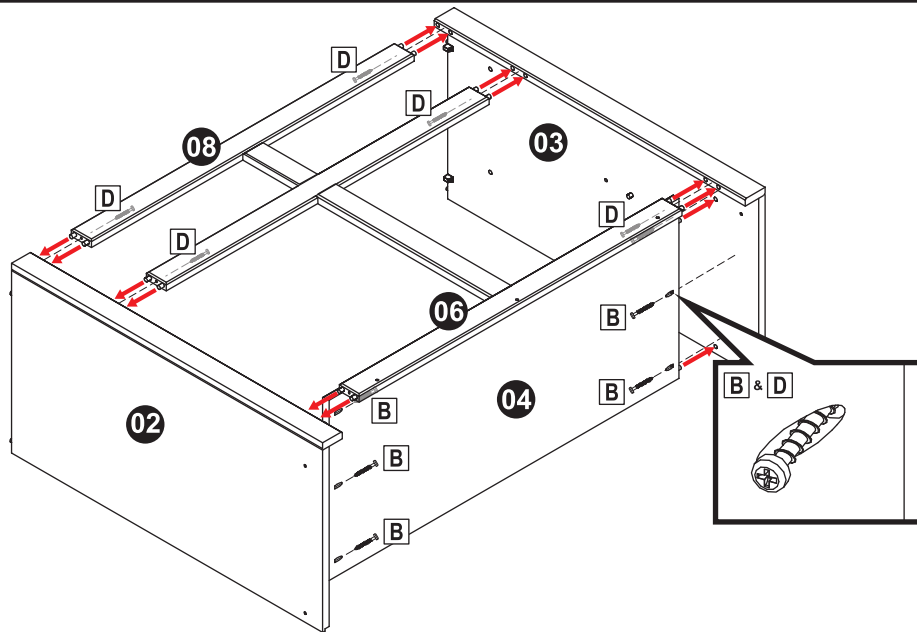
IMPORTANT: Ensure the rail support is installed in the correct direction, as indicated by the diagram.



STEP 6

B: 6

D: 6



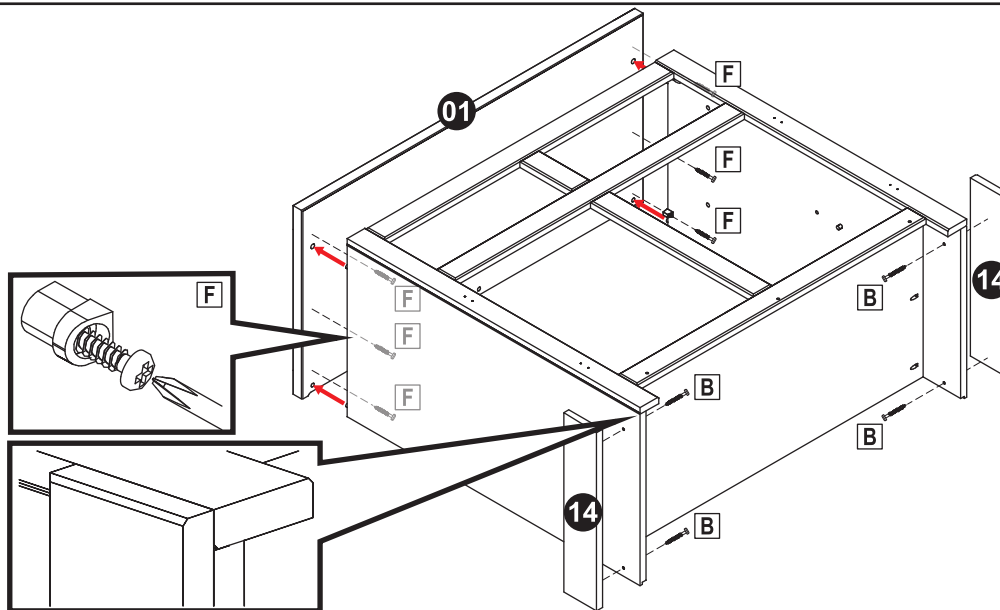
STEP 7

01: 1

14: 2

B: 4

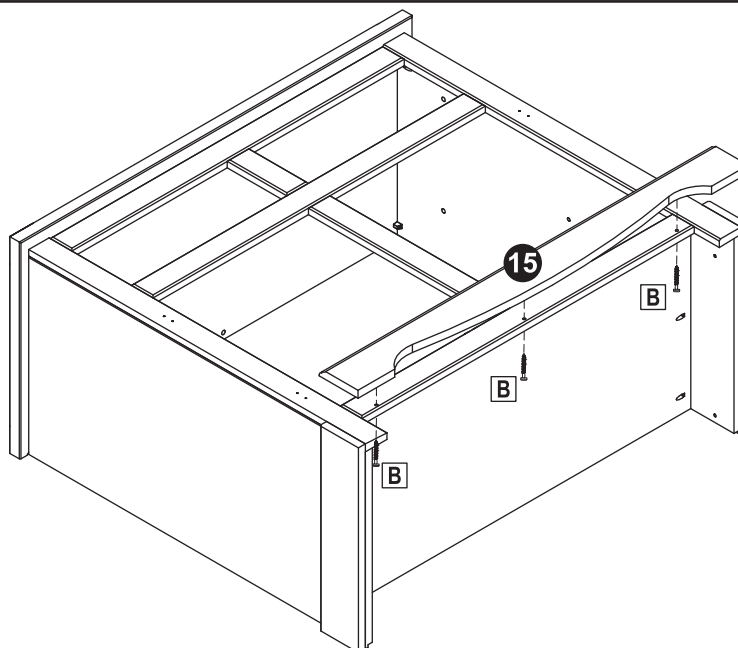
F: 6



STEP 8

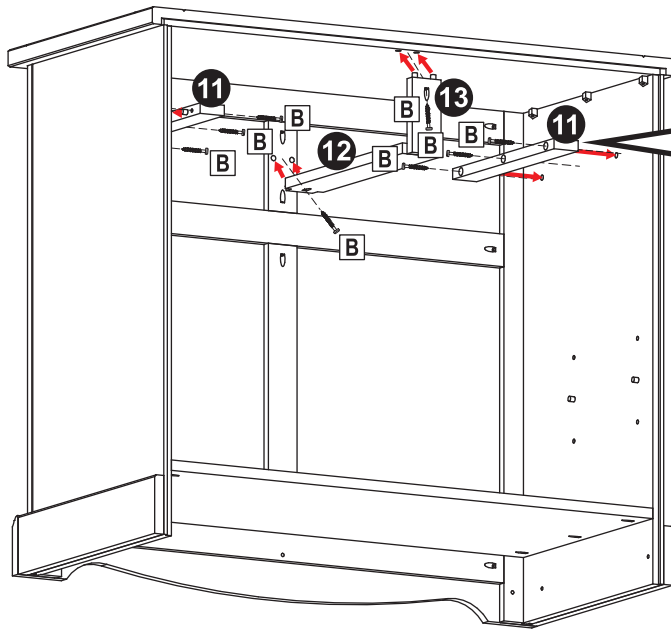
15: 1

B: 3



STEP 9

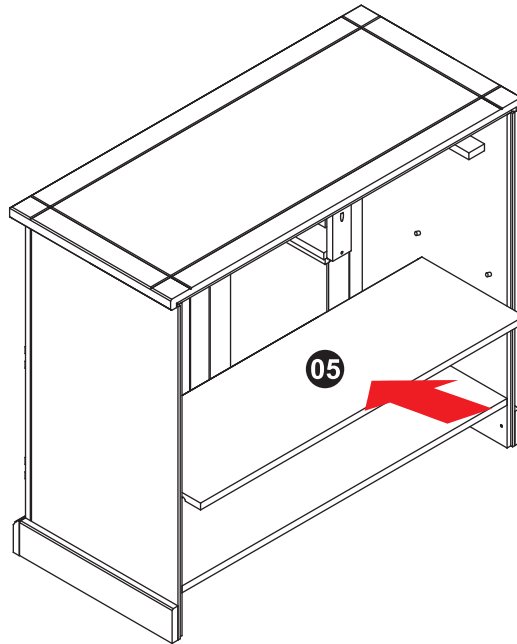
B: 8



IMPORTANT: Ensure the drawer rails are installed in the correct direction, as indicated in the diagram.

STEP 10

05: 1



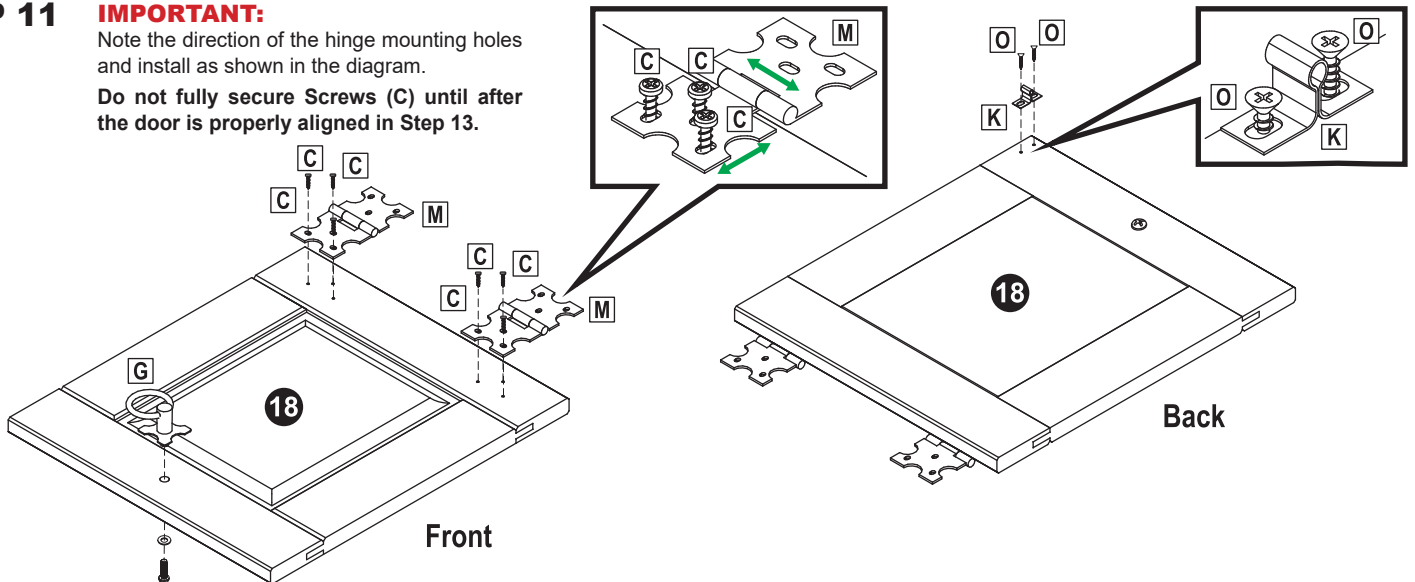
STEP 11

IMPORTANT:

Note the direction of the hinge mounting holes and install as shown in the diagram.

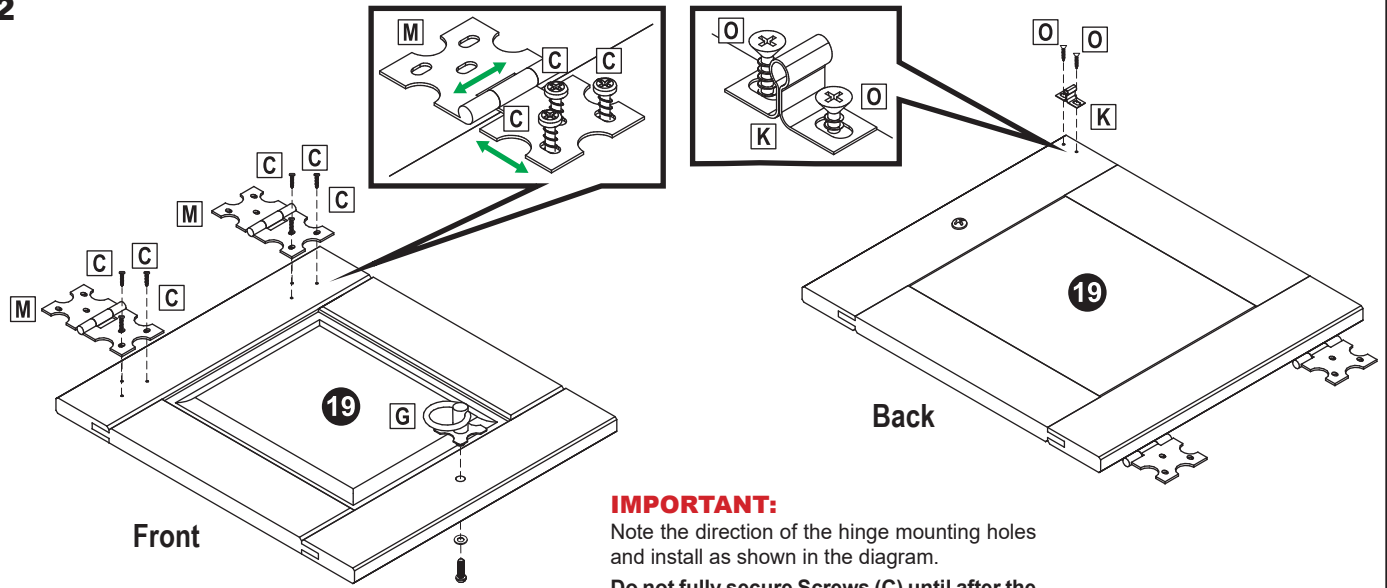
Do not fully secure Screws (C) until after the door is properly aligned in Step 13.

- 18: 1
- C: 6
- G: 1
- K: 1
- M: 2
- O: 2



STEP 12

- 19: 1
- C: 6
- G: 1
- K: 1
- M: 2
- O: 2



IMPORTANT:

Note the direction of the hinge mounting holes and install as shown in the diagram.

Do not fully secure Screws (C) until after the door is properly aligned in the next step.

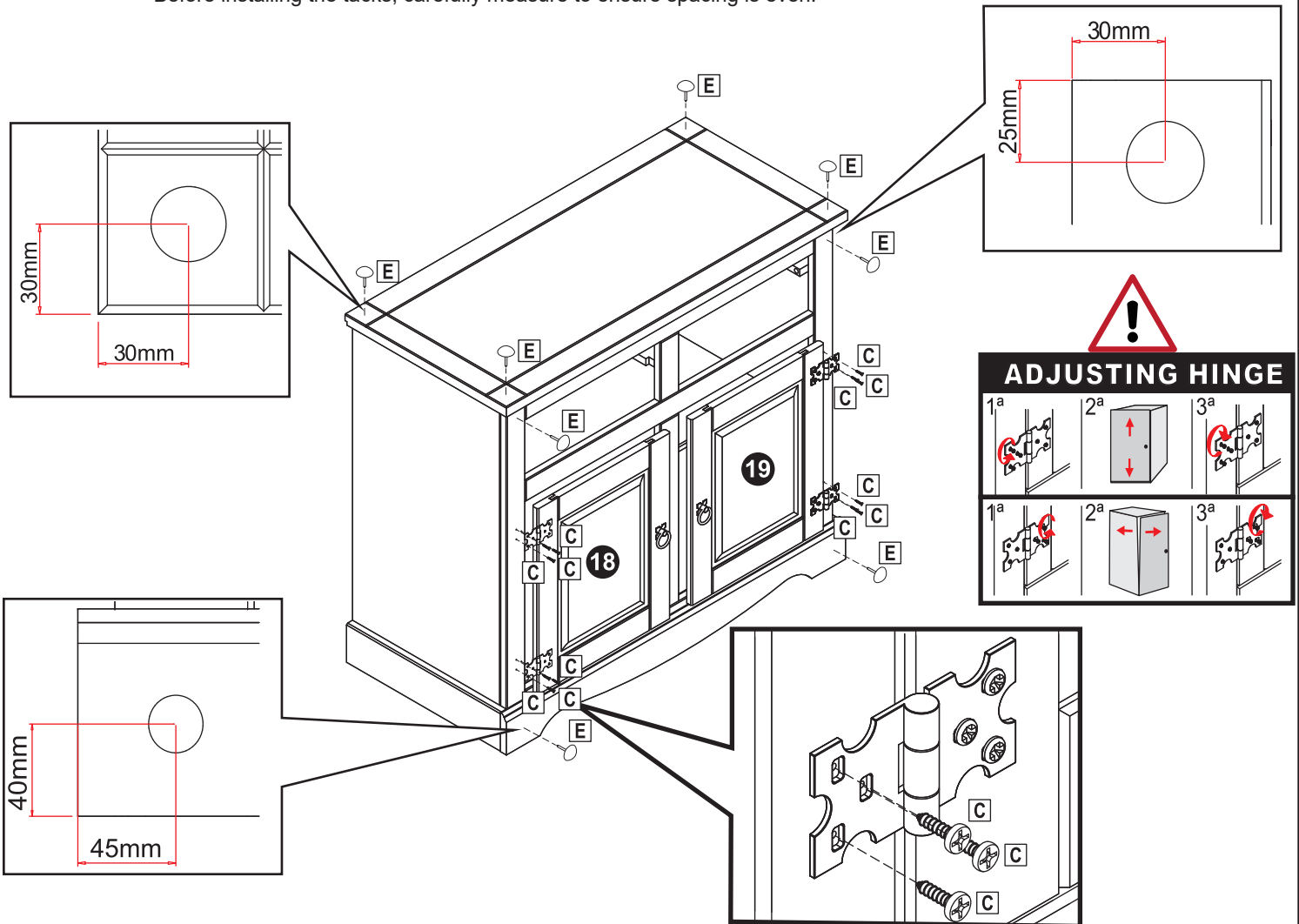
STEP 13

- C: 12
- E: 8



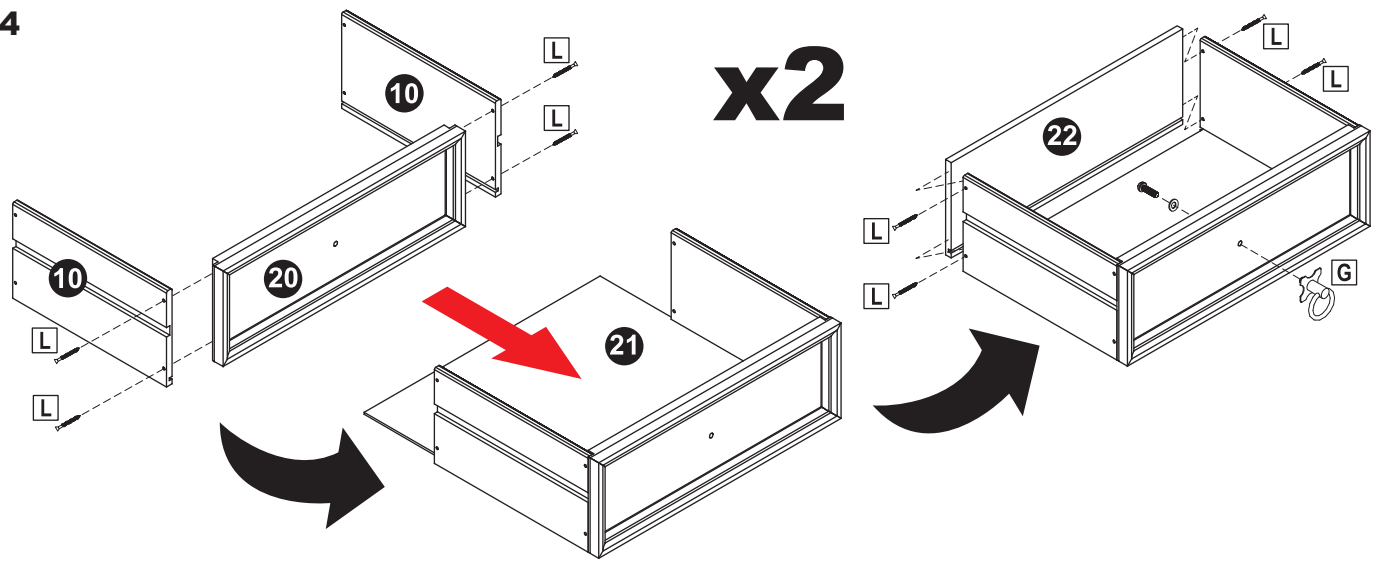
Assistance is recommended for this step.

IMPORTANT: Ensure the door is properly aligned before fully securing any screws. Before installing the tacks, carefully measure to ensure spacing is even.



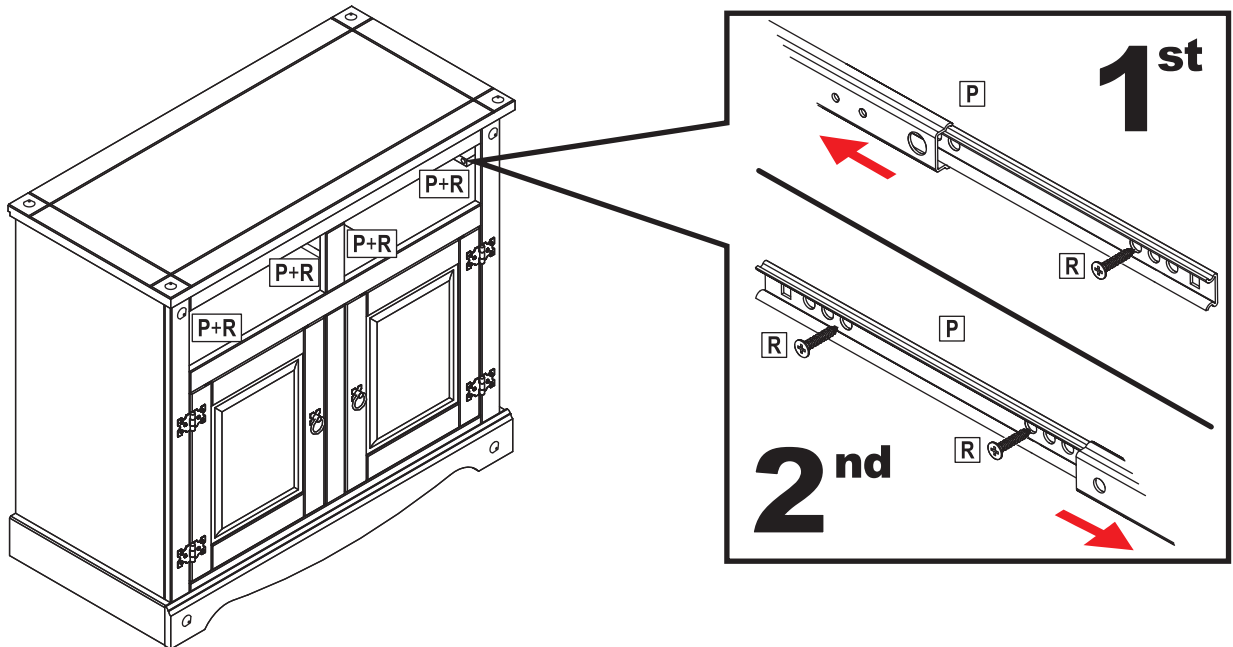
STEP 14

- 10: 4
- 20: 2
- 21: 2
- 22: 2
- G: 2
- L: 16



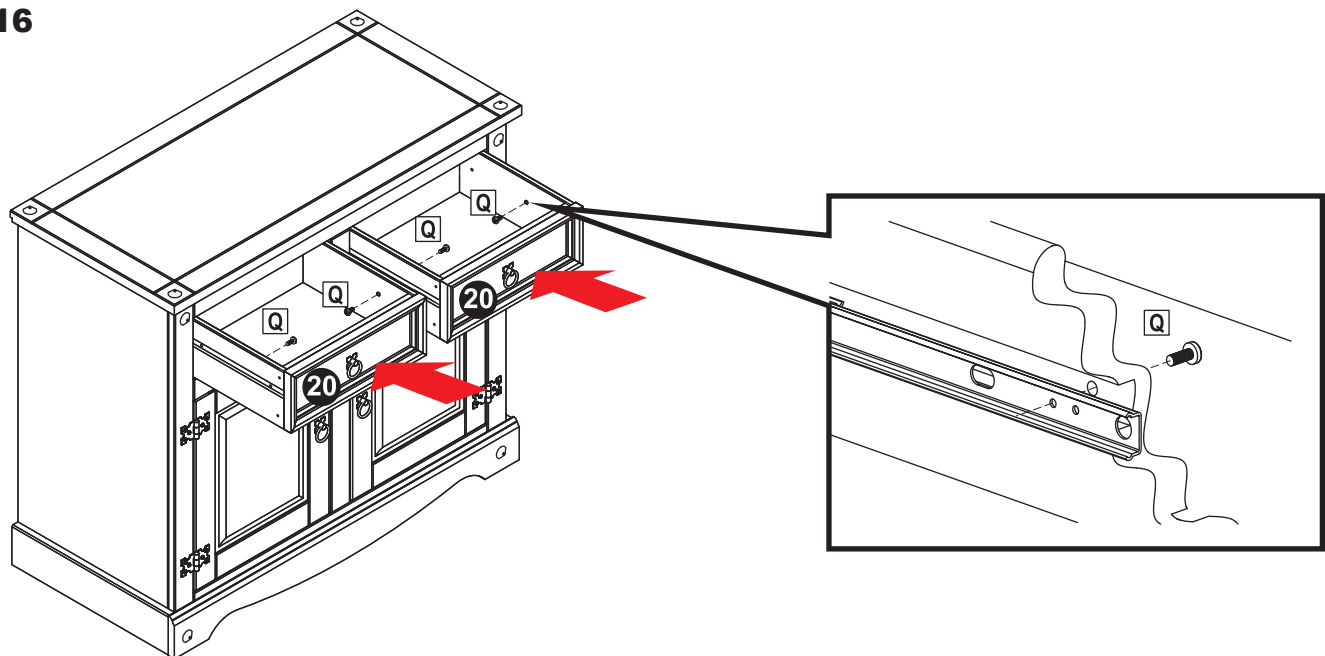
STEP 15

- P: 4
- R: 12



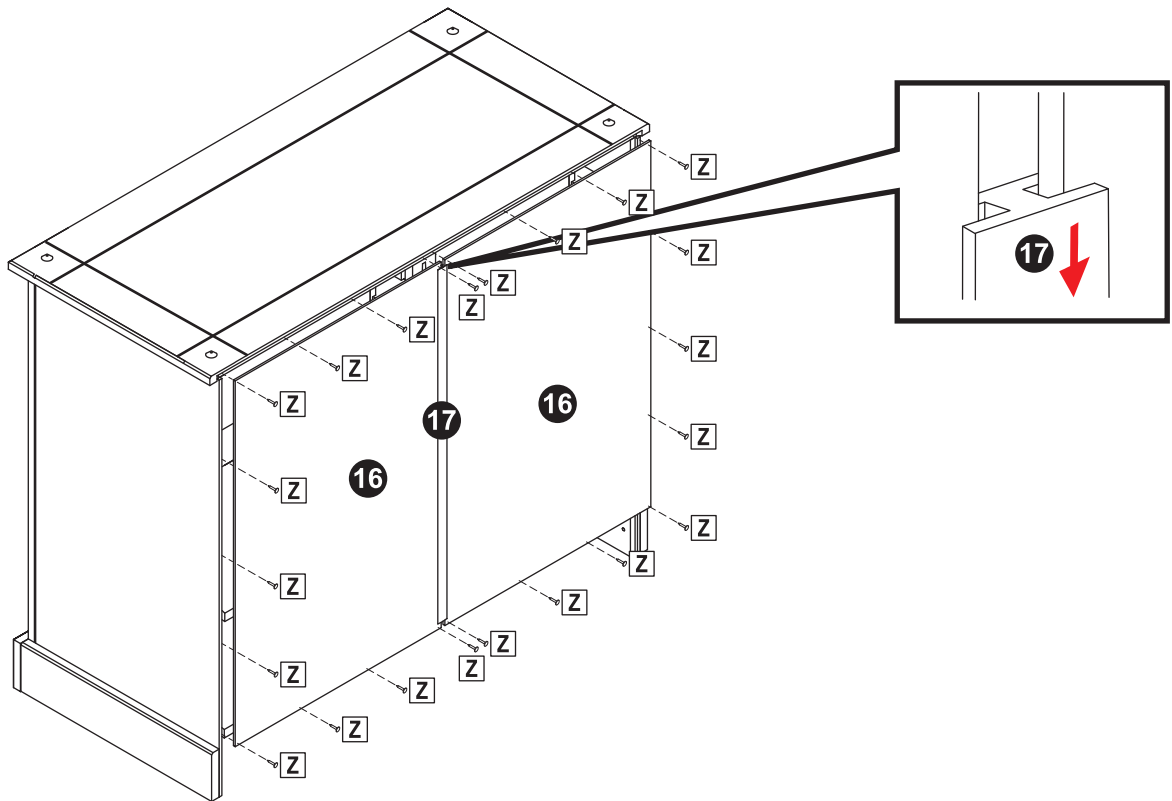
STEP 16

- Q: 4



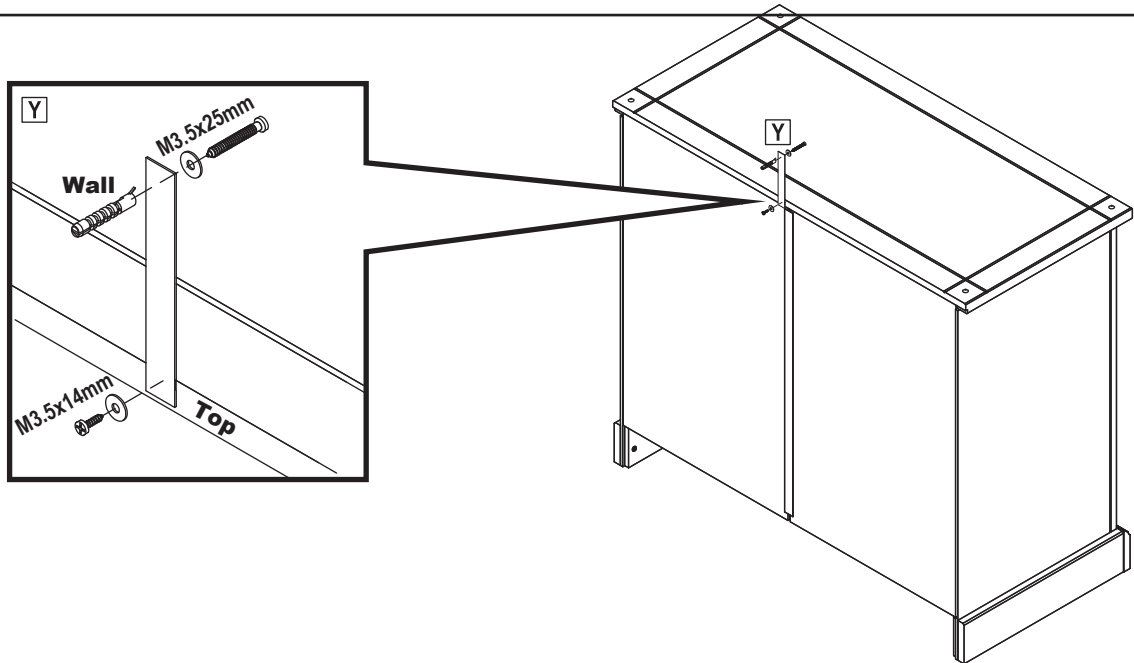
STEP 17

16: 2
17: 1
Z: 22



STEP 18

Y: 1



WARNING: Check for pipes and electrical wiring before drilling.

IMPORTANT: If walls are not solid like brick, stone or concrete, you will require special fittings (not included). When in doubt, consult a professional.

Carefully measure the location of pilot hole before drilling and installing the unit.

- Place wall mounting strap against the wall and mark the position for drilling the hole.
- Using a power drill with a 6mm bit, drill a hole to 30mm depth. If the wall is softer, using a 5mm bit is recommended.
- Insert the wall anchor into the hole until the opening is flush with the wall.
- Secure the strap to the wall using the 25mm screw and washer.
- Use a 2mm drill bit to pre-drill a small pilot hole on the back of the furniture top. Secure the other end of the strap to the furniture using the 14mm screw and washer.

SAFETY STATEMENTS & WARNINGS

- Residential use only. Not for commercial or industrial use.
- For indoor use only.
- Ensure fittings are tight before use. Periodically check fitting to ensure they are tight.
- Only use this unit on a flat, level surface.
- Do not sit, stand or climb on the unit.
- Supervise children; never allow children to climb or sit on this unit as it may tip over and cause serious injury.
- Do not place liquids or hot items directly on the furniture.
- Never use chemical cleaning products or polishes as they may damage the finish.
- Do not exceed the weight capacity of the furniture.
- Do not overload the drawers as doing so may cause damage.
- Do not place the unit in direct sunlight.
- Avoid placing unit near heating or cooling vents as forced air is very drying and can damage the unit.
- Do not write on furniture without a padded barrier to protect the surface.

Any modification to the product or failure to follow recommended care will void the product warranty.

If you experience issues with assembly or the product was damaged during shipping, please contact our customer service team directly through one of the methods mentioned at the top of page 1. Please have the item number and order information ready to expedite response time.

NOTICE:

Manufacturer and seller expressly disclaim any and all liability from personal injury, property damage or loss, whether direct or indirect, or incidental, resulting from the incorrect attachment, improper use, inadequate maintenance, or neglect of this product.