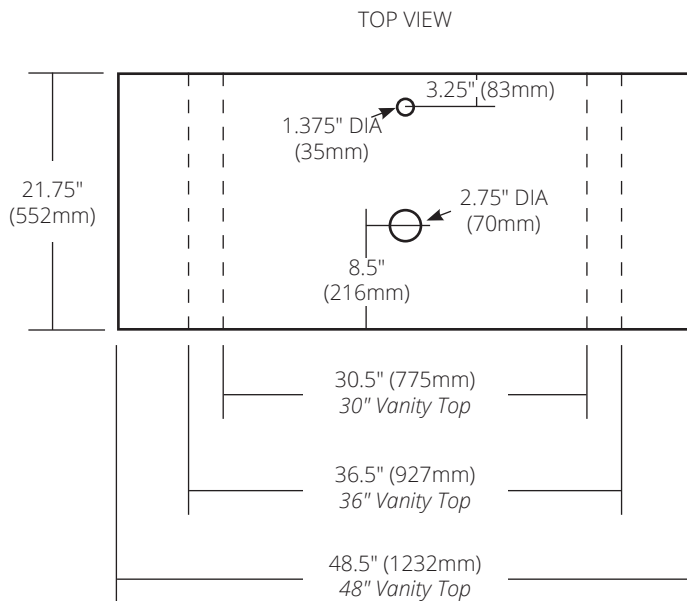
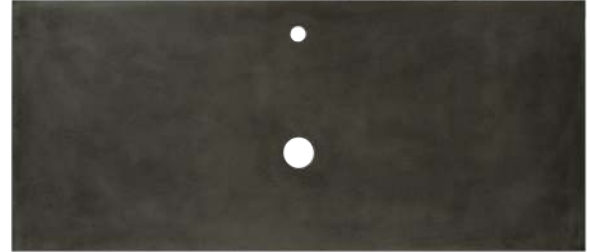


SPECIFICATIONS

NATIVESTONE® VANITY TOP
ALL SIZES - VESSEL WITH SINGLE FAUCET HOLE

NativeStone® Collection



30" Vanity Top

30.5"w x 21.75"d x 1.18"h (775mm x 552mm x 30mm)

- NSV30-AV1 Ash
- NSV30-SV1 Slate
- NSV30-PV1 Pearl
- NSV30-EV1 Earth

36" Vanity Top

36.5"w x 21.75"d x 1.18"h (927mm x 552mm x 30mm)

- NSV36-AV1 Ash
- NSV36-SV1 Slate
- NSV36-PV1 Pearl
- NSV36-EV1 Earth

48" Vanity Top

48.5"w x 21.75"d x 1.18"h (1232mm x 552mm x 30mm)

- NSV48-AV1 Ash
- NSV48-SV1 Slate
- NSV48-PV1 Pearl
- NSV48-EV1 Earth

PRODUCT DETAILS

- Handcrafted from sustainable NativeStone
- Sealed with impermeable nano-sealer
- Pre-drilled with single faucet hole

COORDINATING PRODUCTS

- Pairs with most vessel sinks
- NativeStone sealer
- Drains: DR120, DR130 or DR150

IMPORTANT

DO NOT use tape or other adhesives on NativeStone as it may remove the sealer. Due to the handcrafted nature of this product, it will vary in finish, texture, and other details. Dimensions may vary up to .25" (6mm).