

SPEAKMAN® VS-233011

Chelsea™ Shower Combination

FEATURES:

- VS-114 2-way diverter
- VS-3011 Chelsea Hand shower holder has five position settings to adjust hand shower angle
- 60 in. metal hose
- S-3011 Chelsea shower head
- 2.5 gpm (9.5 L/min) flow rate

FINISH:



PC BN

COMPLIANCE:

- ASME A112.18.1/CSA B125.1 compliant

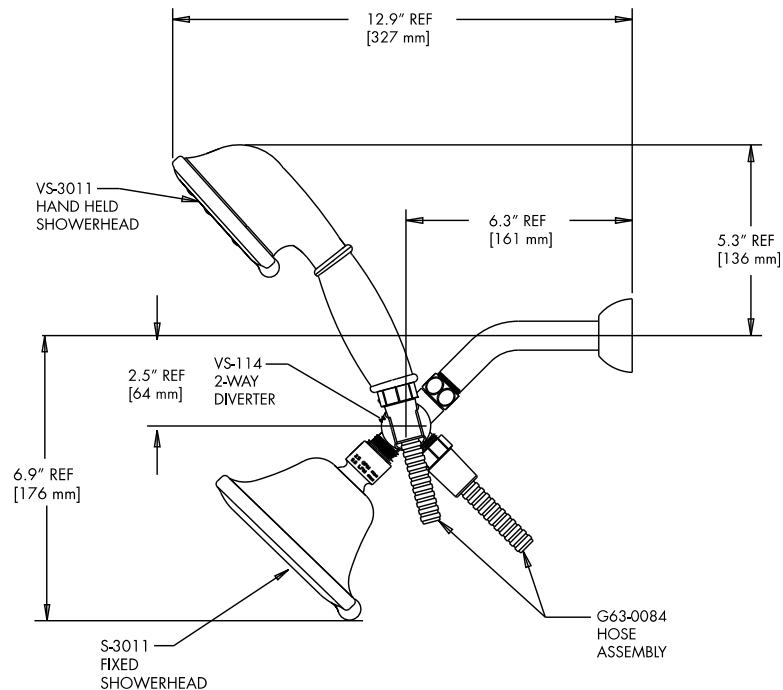
WARRANTY:

- Limited Lifetime Warranty (consumer use)
- 1 Year Limited (commercial use)



DIMENSIONS:

NOTE: 1. All dimensions are in inches (millimeters) unless otherwise specified and are subject to change without notice.



Architect/Engineer Approval Space:

SPEAKMAN
400 ANCHOR MILL ROAD
NEW CASTLE, DE 19720

P: 800-537-2107
F: 800-977-2747
W: WWW.SPEAKMAN.COM
R: NOVEMBER 2017

47