

Versatile™ Shower System

FEATURES:

- Hand held shower combination
- VS-100-PC handheld shower.
- Chrome plated brass supply ell with wall flange
- 69 in. square lock stainless steel hose with rubber liner
- One wall mounted post for swivel connector
- Water conserving pause button
- Non-positive shut-off
- In-line vacuum breaker
- Swivel connector

FINISH:



PC

OPTIONS: Add suffix to model

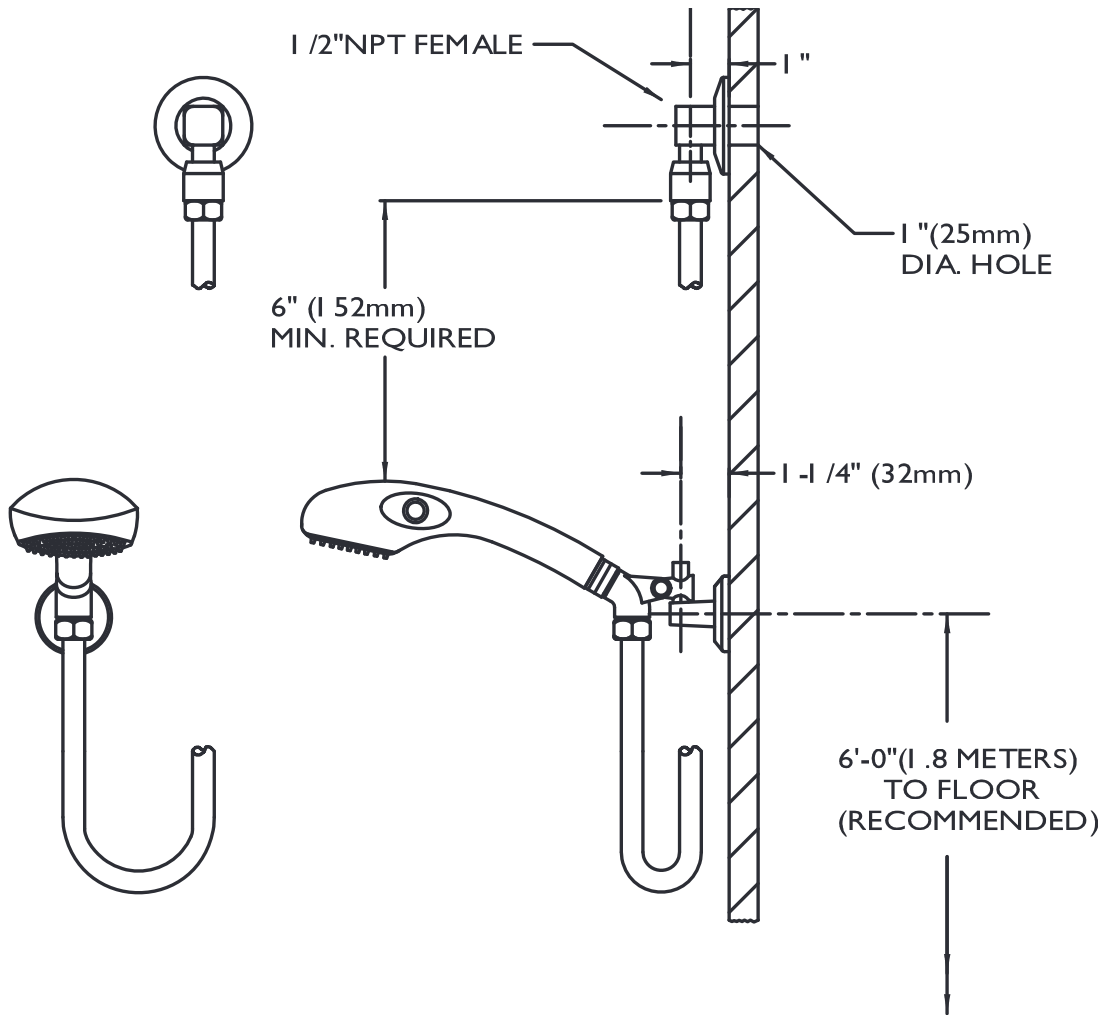
- 69 in. White vinyl hose -VH

WARRANTY:

- Limited Lifetime Warranty (consumer use)
- 1 Year Limited (commercial use)



DIMENSIONS: NOTE: 1. All dimensions are in inches (millimeters) unless otherwise specified and are subject to change without notice. 2. Unless otherwise specified, all inlets and outlets are 1/2" female NPT threads.



Architect/Engineer Approval Space:

SPEAKMAN
400 ANCHOR MILL ROAD
NEW CASTLE, DE 19720

P: 800-537-2107
F: 800-977-2747
W: WWW.SPEAKMAN.COM
R: OCTOBER 2017

SPEAKMAN® VS-1001-ADA-PC

Handicap Shower Combination

FEATURES:

- VS-100-PC (chrome) hand shower with arm mount bracket
- 5 ft. metal hose with vacuum breaker
- 24 in. combination slide bar/grab bar.

FINISH:



PC

WARRANTY:

- Limited Lifetime Warranty (consumer use)
- 1 Year Limited (commercial use)

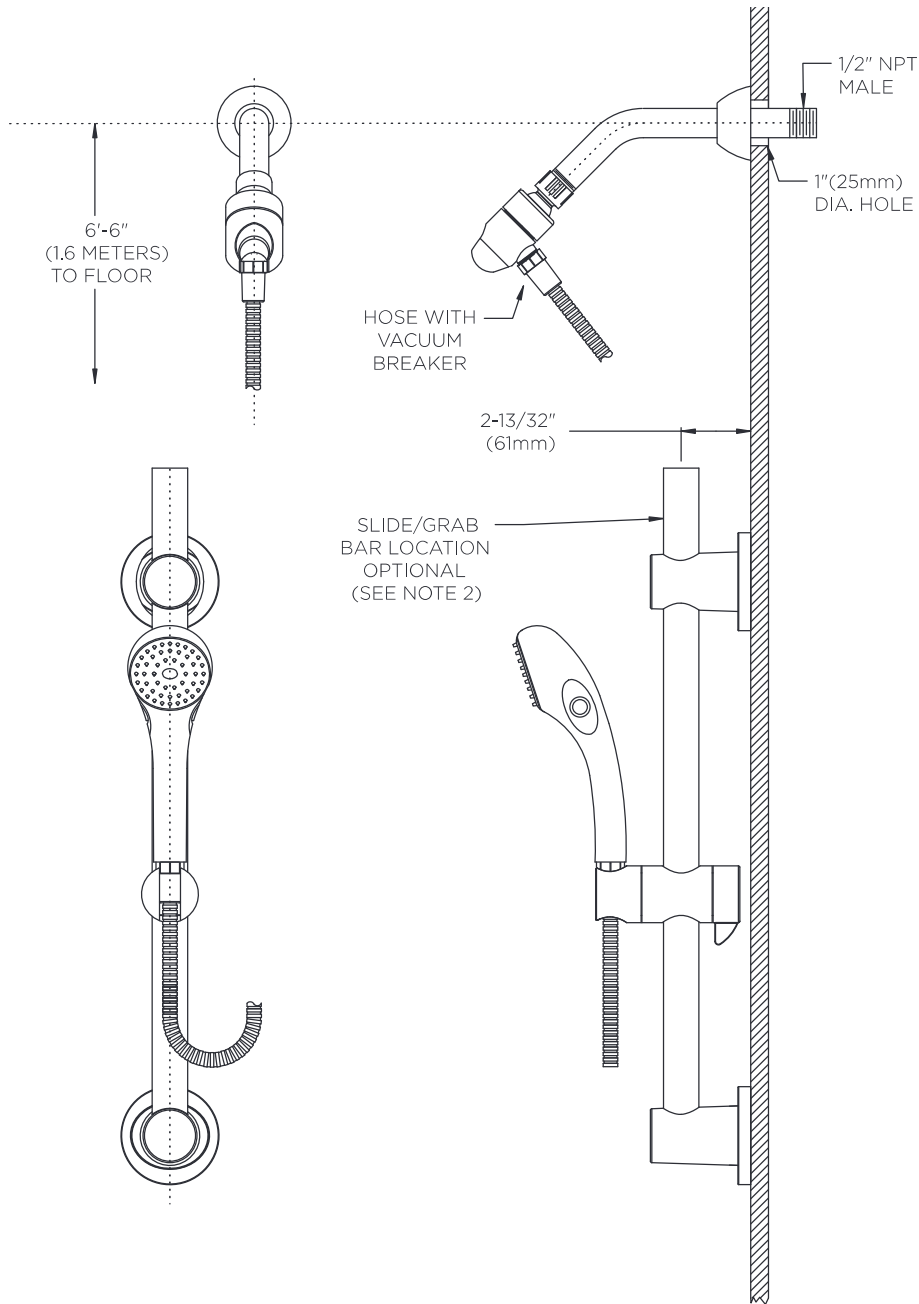


Architect/Engineer Approval Space:

SPEAKMAN
400 ANCHOR MILL ROAD
NEW CASTLE, DE 19720

P: 800-537-2107
F: 800-977-2747
W: WWW.SPEAKMAN.COM
R: OCTOBER 2017

DIMENSIONS: NOTE: 1. All dimensions are in inches (millimeters) unless otherwise specified and are subject to change without notice. 2. Unless otherwise specified, all inlets and outlets are 1/2" NPT female. 3. The location of the slide bar is optional, but restricted by the 60" hose length running from the shower arm connection to hand shower.



Architect/Engineer Approval Space:

SPEAKMAN
400 ANCHOR MILL ROAD
NEW CASTLE, DE 19720

P: 800-537-2107
F: 800-977-2747
W: WWW.SPEAKMAN.COM
R: OCTOBER 2017