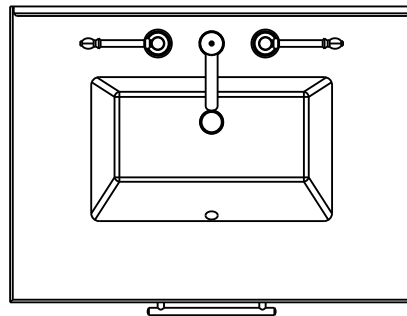
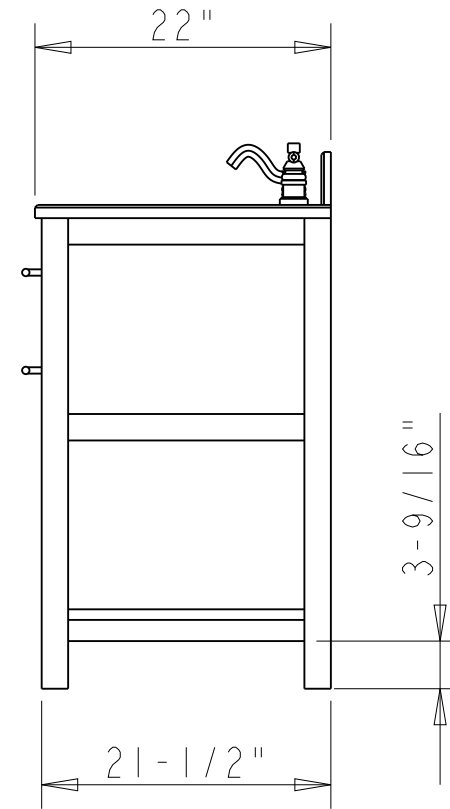
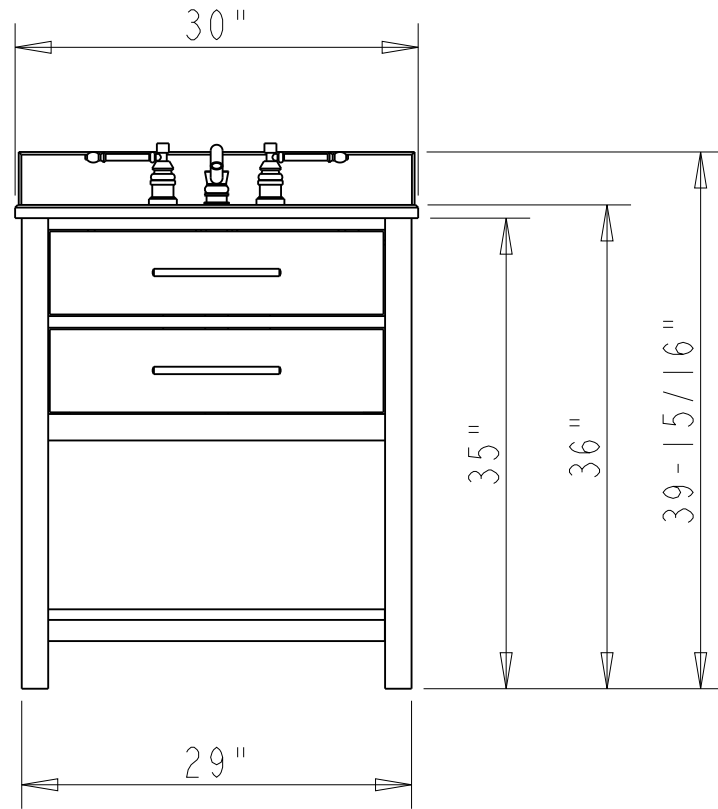


Specification:

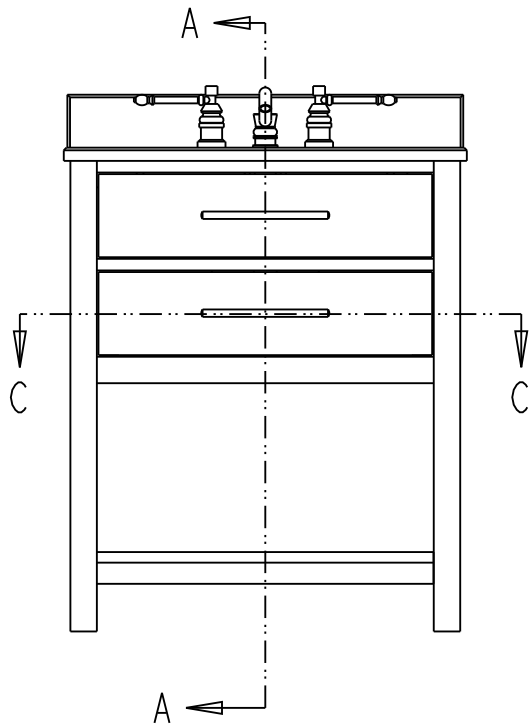
1. Finish: White
2. Hardware: 242MB (2 pcs)
3. Hinge: 700.0537.25+600.1234.05 (2 pcs)
4. Slide: USE58-300-18+US-CLIP-4W (1 set)
5. Jewel Case: TOSSI4-REPL
6. Lid Stay (1 pcs)
7. Bowl: H8910WH
8. The tolerance is +/- 1/8"

	ITEM#: VN-WAV-30-WH-XX		MATERIAL:		
	FINISH:		WEIGHT: 9		
<p>PROPRIETARY AND CONFIDENTIAL</p> <p>THE INFORMATION CONTAINED IN THIS DRAWING IS THE SOLE PROPERTY OF HARDWARE RESOURCES INC. ANY REPRODUCTION IN PART OR AS A WHOLE WITHOUT THE WRITTEN PERMISSION OF HARDWARE RESOURCES INC. IS PROHIBITED.</p>	TOLERANCE UNLESS OTHERWISE SPECIFIED: X ±0.20 X.X ±0.10 X.XX ±0.05 ANGULAR: ±0.5°		UNITS:	DRAWN BY: Alexander.W	DATE: Jan-17-19
	DO NOT SCALE DRAWING		SIZE:	APPROVED BY:	DATE:
			SHEET:	RELEASE LEVEL:	REVISION:
			PROJECTION		

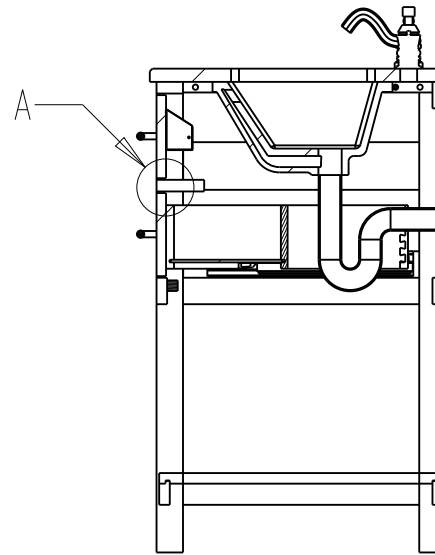


	ITEM#: VN-WAV-30-WH-XX		MATERIAL:		
	FINISH:		WEIGHT: 9		
<p>PROPRIETARY AND CONFIDENTIAL</p> <p>THE INFORMATION CONTAINED IN THIS DRAWING IS THE SOLE PROPERTY OF HARDWARE RESOURCES INC. ANY REPRODUCTION IN PART OR AS A WHOLE WITHOUT THE WRITTEN PERMISSION OF HARDWARE RESOURCES INC. IS PROHIBITED.</p>	TOLERANCE UNLESS OTHERWISE SPECIFIED:		UNITS:		
	X ±0.20		DRAWN BY: Alexander.W		
	X.X ±0.10		DATE: Jan-17-19		
	X.XX ±0.05		APPROVED BY:		
ANGULAR: ±0.5°		SHEET:		RELEASE LEVEL:	
DO NOT SCALE DRAWING		SHEET:		REVISION:	

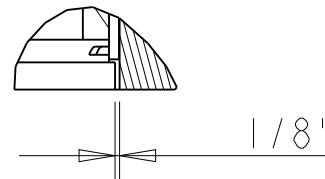




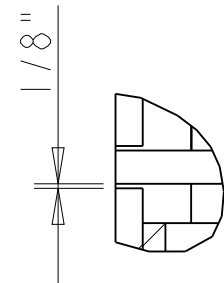
DETAIL



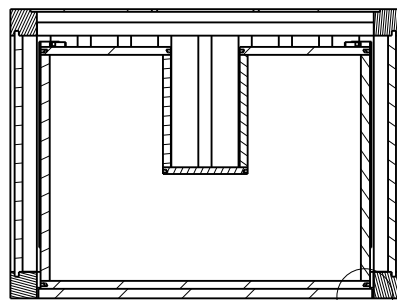
SECTION A-A



DETAIL B
SCALE 0.200



DETAIL A
SCALE 0.200



SECTION C-C —DETAIL B

	ITEM#: VN-WAV-30-WH-XX		MATERIAL:	
	FINISH:		WEIGHT: 9	
<p>PROPRIETARY AND CONFIDENTIAL</p> <p>THE INFORMATION CONTAINED IN THIS DRAWING IS THE SOLE PROPERTY OF HARDWARE RESOURCES INC. ANY REPRODUCTION IN PART OR AS A WHOLE WITHOUT THE WRITTEN PERMISSION OF HARDWARE RESOURCES INC. IS PROHIBITED.</p> <p>DO NOT SCALE DRAWING</p>	PROJECTION		DATE: Jan-17-19	
	TOLERANCE UNLESS OTHERWISE SPECIFIED:	UNITS:	DRAWN BY: Alexander.W	DATE:
	X ±0.20	SIZE:	APPROVED BY:	DATE:
	X.X ±0.10 X.XX ±0.05 ANGULAR: ±0.5°	SHEET:	RELEASE LEVEL:	REVISION: