
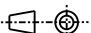
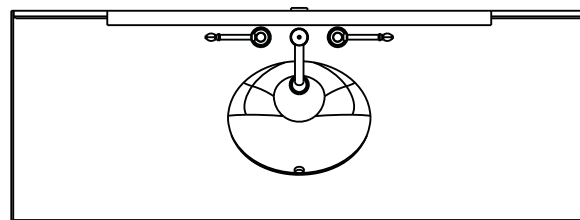
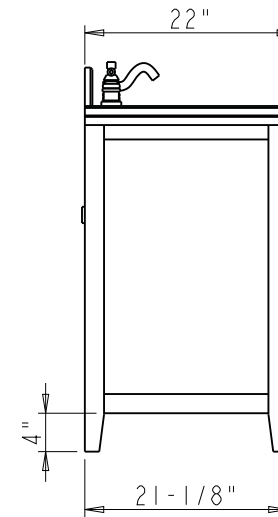
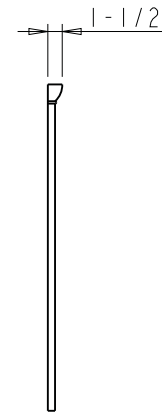
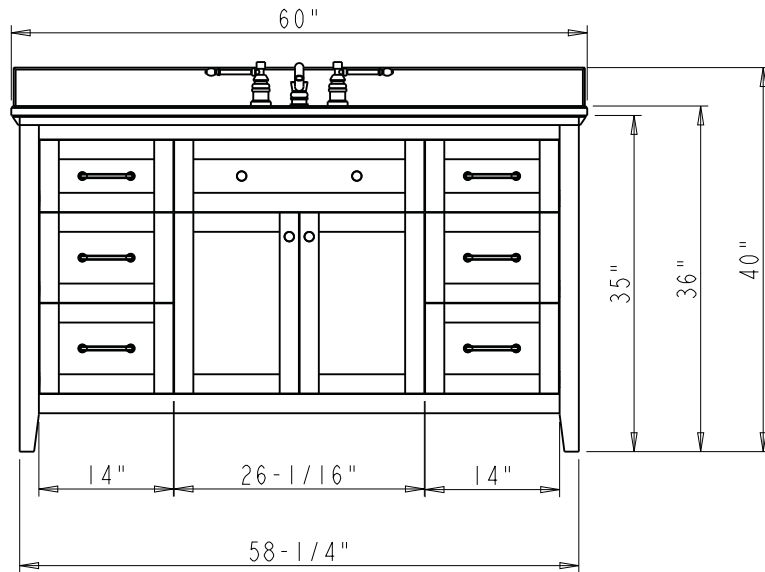
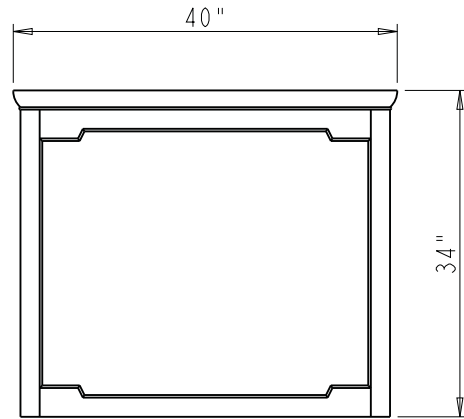


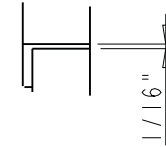
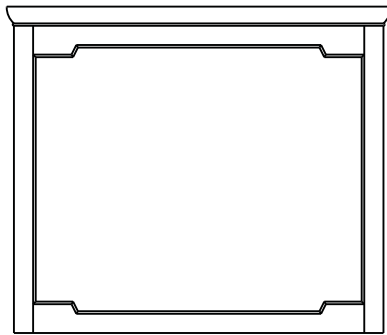
Specification:

1. Material: PLY wood and Birch
2. Finish: Grey
3. Hardware: Z110-SN (4 PCS)
527-128SN (6 PCS)
4. Slides: 303FUSFT-20 (1 Sets)
5. Shelf Supports: 1707BN (4 PCS)
6. Drawer Boxes: 5/8" Rubber wood
Clear color
Dovetail
7. Hinge: 700.0537.05 with 600.1233.05 plate
8. Bowl: H8810WH
9. The tolerance is +/- 1/8"

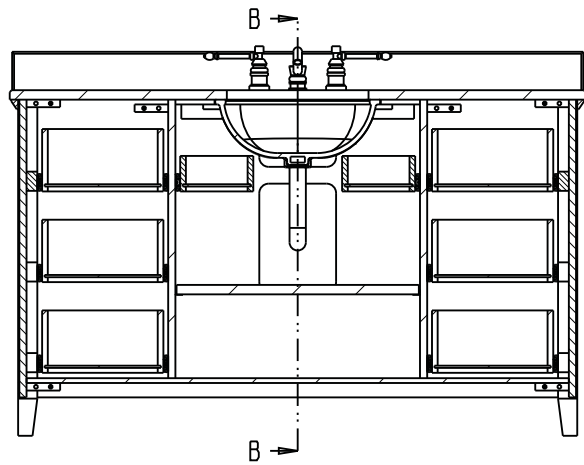
 PROPRIETARY AND CONFIDENTIAL <small>THE INFORMATION CONTAINED IN THIS DRAWING IS THE SOLE PROPERTY OF HARDWARE RESOURCES INC. ANY REPRODUCTION IN PART OR AS A WHOLE WITHOUT THE WRITTEN PERMISSION OF HARDWARE RESOURCES INC. IS PROHIBITED.</small>	ITEM:	VAN102-60-T		MATERIAL:
	FINISH:			WEIGHT:
				9
				PROJECTION 
	TOLERANCE UNLESS OTHERWISE SPECIFIED:	UNITS:	DRAWN BY:	DATE:
	X ±0.20		Hugo.cai	14-03-16
	X.X ±0.10	SIZE:	APPROVED BY:	DATE:
	X.XX ±0.05			
	ANGULAR: ±0.5°	SHEET:	RELEASE LEVEL:	REVISION:
	DO NOT SCALE DRAWING			



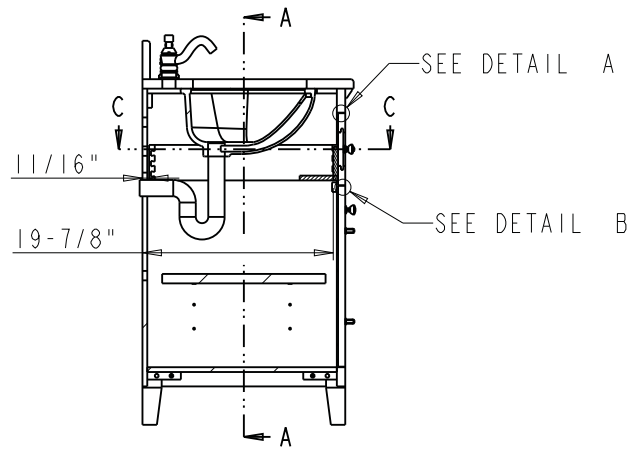
	ITEM#: VAN102-60-T		MATERIAL:		
	FINISH:		WEIGHT: 9		
<p>PROPRIETARY AND CONFIDENTIAL</p> <p>THE INFORMATION CONTAINED IN THIS DRAWING IS THE SOLE PROPERTY OF HARDWARE RESOURCES INC. ANY REPRODUCTION IN PART OR AS A WHOLE WITHOUT THE WRITTEN PERMISSION OF HARDWARE RESOURCES INC. IS PROHIBITED.</p>	TOLERANCE UNLESS OTHERWISE SPECIFIED: X ±0.20 X.X ±0.10 X.XX ±0.05 ANGULAR: ±0.5°		UNITS:	DRAWN BY: Hugo.cai	DATE: 14-03-16
	DO NOT SCALE DRAWING		SIZE:	APPROVED BY:	DATE:
			SHEET:	RELEASE LEVEL:	REVISION:



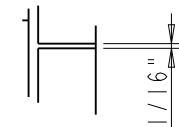
DETAIL A
SCALE 2:5



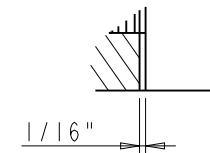
SECTION A-A



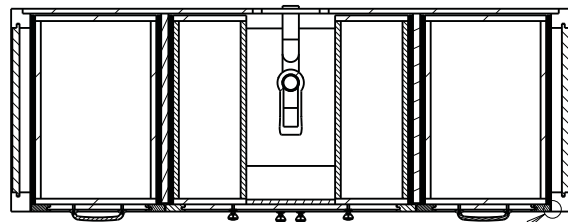
SECTION B-B
SCALE 1:20



DETAIL B
SCALE 2:5

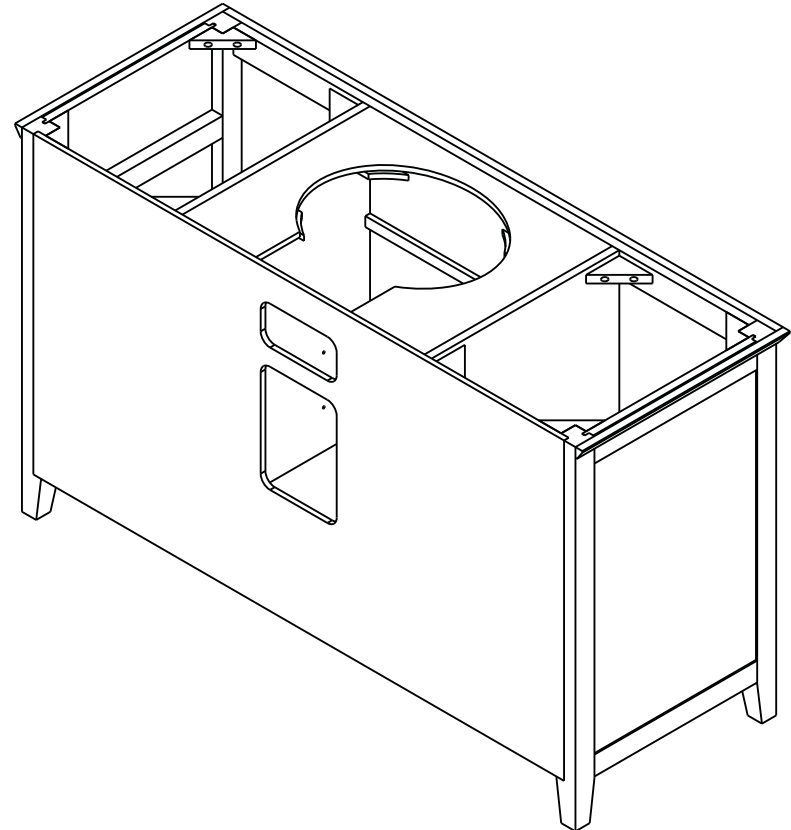
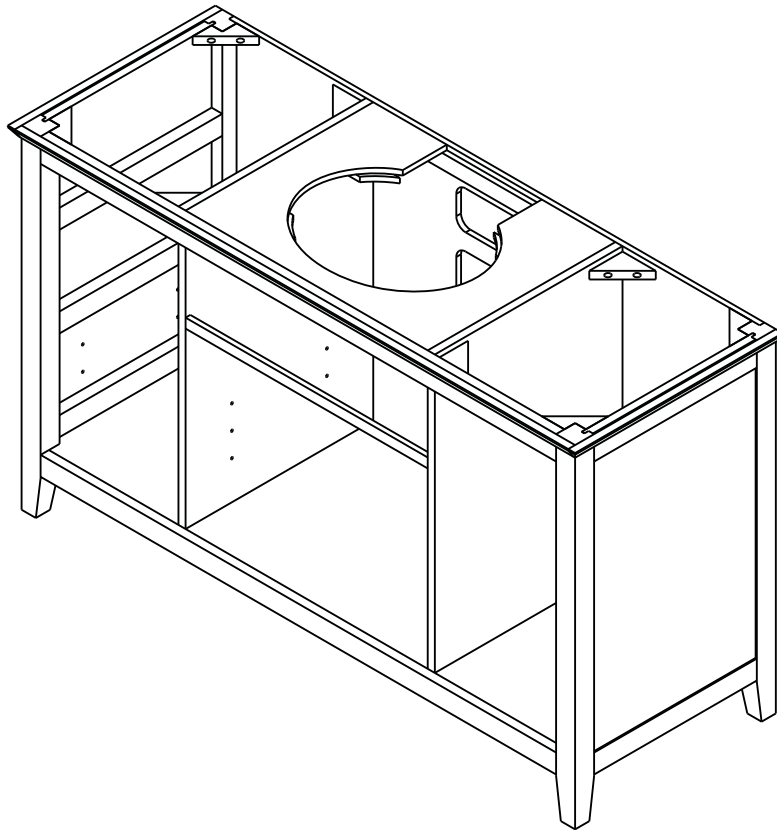


DETAIL C
SCALE 2:5




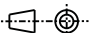
SEE DETAIL C
SECTION C-C

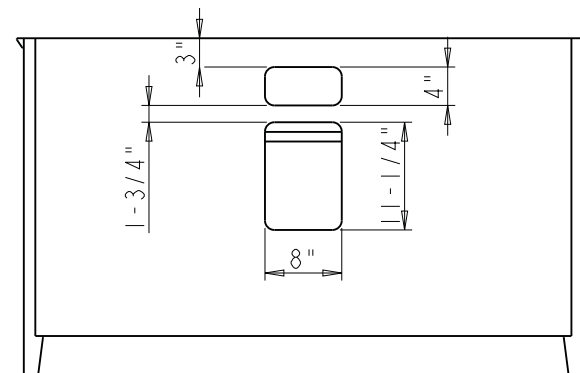
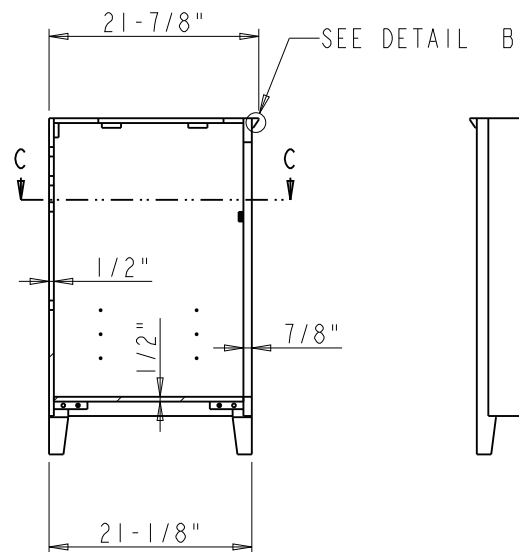
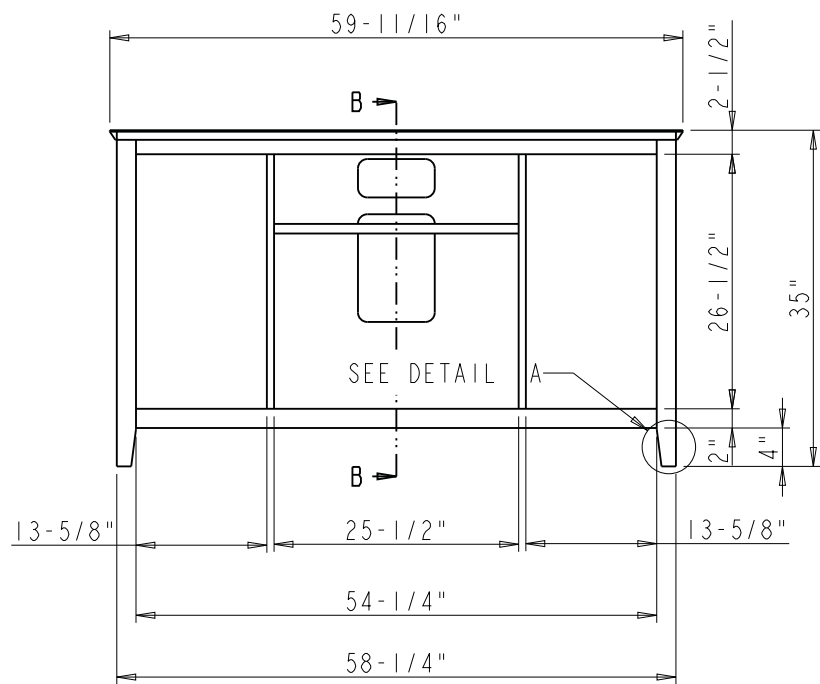
	ITEM:	VAN102-60-T		MATERIAL:
	FINISH:			WEIGHT:
<p>PROPRIETARY AND CONFIDENTIAL</p> <p>THE INFORMATION CONTAINED IN THIS DRAWING IS THE SOLE PROPERTY OF HARDWARE RESOURCES INC. ANY REPRODUCTION IN PART OR AS A WHOLE WITHOUT THE WRITTEN PERMISSION OF HARDWARE RESOURCES INC. IS PROHIBITED.</p> <p>DO NOT SCALE DRAWING</p>	TOLERANCE UNLESS OTHERWISE SPECIFIED:	UNITS:	DRAWN BY:	DATE:
	X ±0.20		Hugo.cai	14-03-16
	X.X ±0.10	SIZE:	APPROVED BY:	DATE:
	X.XX ±0.05	SHEET:	RELEASE LEVEL:	REVISION:
ANGULAR: ±0.5°	<p>PROJECTION </p>			



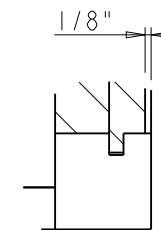
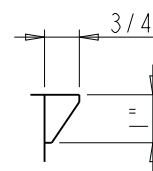
Specification:

1. Material: PLY wood and Birch
2. Finish: Grey

 PROPRIETARY AND CONFIDENTIAL <small>THE INFORMATION CONTAINED IN THIS DRAWING IS THE SOLE PROPERTY OF HARDWARE RESOURCES INC. ANY REPRODUCTION IN PART OR AS A WHOLE WITHOUT THE WRITTEN PERMISSION OF HARDWARE RESOURCES INC. IS PROHIBITED.</small>	ITEM:	CABINET-60		MATERIAL:
	FINISH:			WEIGHT:
				9
				PROJECTION 
	TOLERANCE UNLESS OTHERWISE SPECIFIED:	UNITS:	DRAWN BY:	DATE:
	X ±0.20		Hugo.cai	14-03-16
	X.X ±0.10	SIZE:	APPROVED BY:	DATE:
	X.XX ±0.05	SHEET:	RELEASE LEVEL:	REVISION:
	ANGULAR: ±0.5°			
	DO NOT SCALE DRAWING			



SECTION B-B

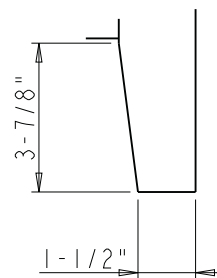


DETAIL B
SCALE 1:4

DETAIL C
SCALE 1:4

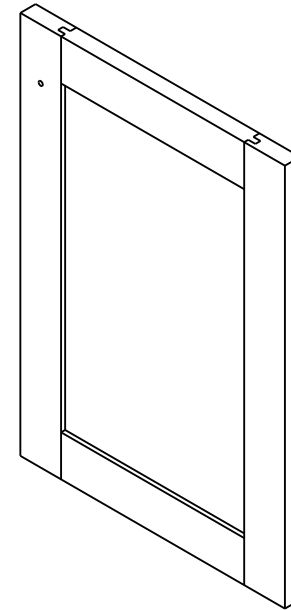
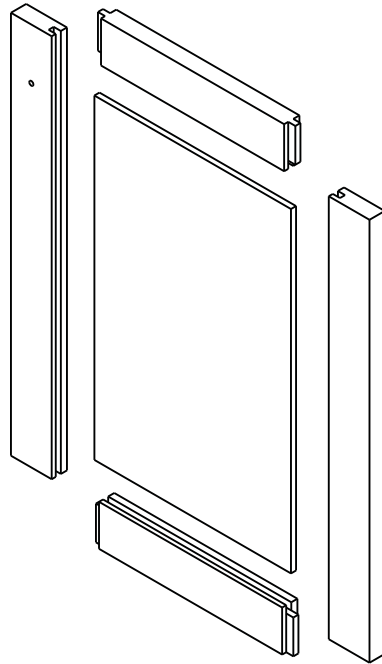


SECTION C-C




DETAIL A
SCALE 1:5

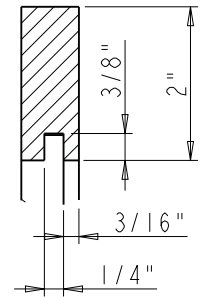
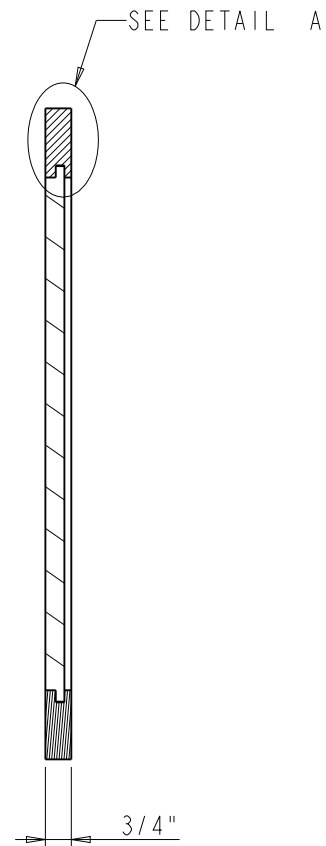
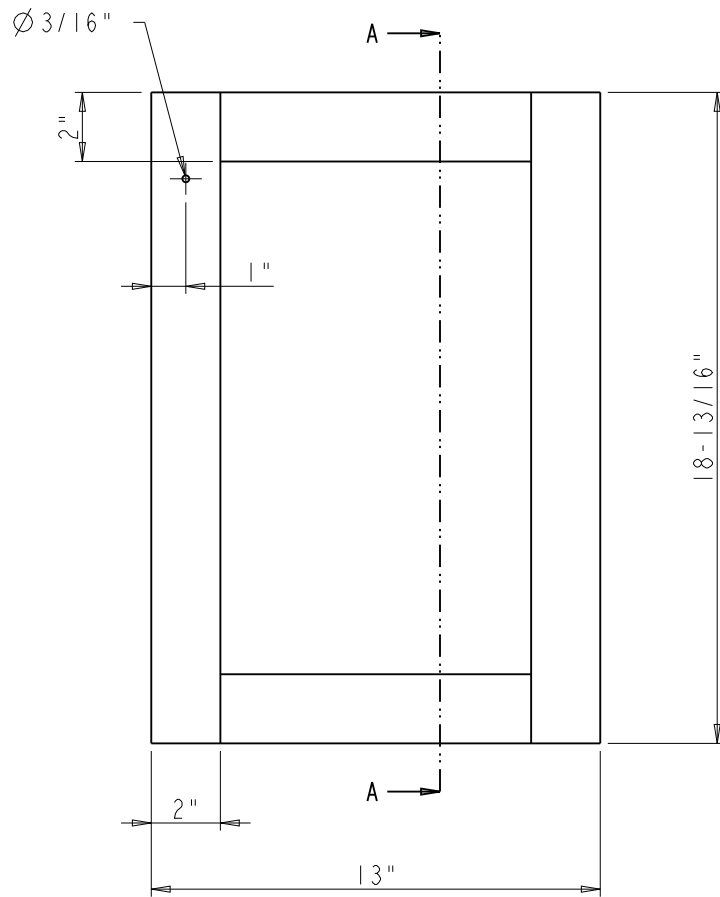
	ITEM: CABINET-60		MATERIAL:		
	FINISH:		WEIGHT:		
<p>PROPRIETARY AND CONFIDENTIAL</p> <p>THE INFORMATION CONTAINED IN THIS DRAWING IS THE SOLE PROPERTY OF HARDWARE RESOURCES INC. ANY REPRODUCTION IN PART OR AS A WHOLE WITHOUT THE WRITTEN PERMISSION OF HARDWARE RESOURCES INC. IS PROHIBITED.</p>	UNITS:		DATE: 14-03-16		
	TOLERANCE UNLESS OTHERWISE SPECIFIED: X ±0.20 X.X ±0.10 X.XX ±0.05 ANGULAR: ±0.5°		APPROVED BY:		DATE:
	DO NOT SCALE DRAWING		RELEASE LEVEL:	REVISION:	
			DRAWN BY: Hugo.cai		



Specification:

1. Material: PLY wood and Birch
2. Finish: Grey

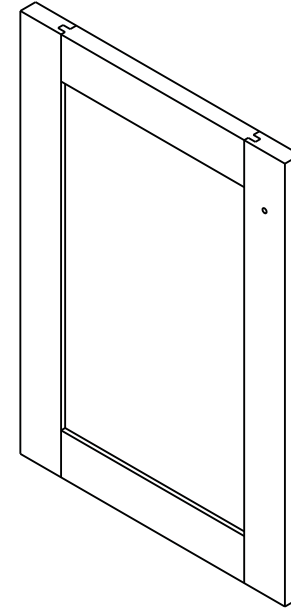
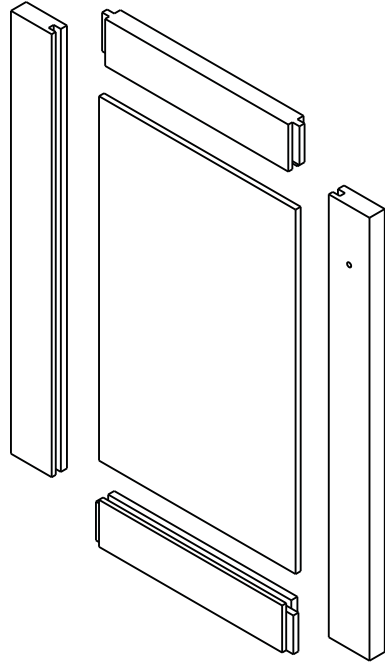
 PROPRIETARY AND CONFIDENTIAL THE INFORMATION CONTAINED IN THIS DRAWING IS THE SOLE PROPERTY OF HARDWARE RESOURCES INC. ANY REPRODUCTION IN PART OR AS A WHOLE WITHOUT THE WRITTEN PERMISSION OF HARDWARE RESOURCES INC. IS PROHIBITED. DO NOT SCALE DRAWING	ITEM:	DOOR - 60R		MATERIAL:
	FINISH:			WEIGHT:
				PROJECTION
	TOLERANCE UNLESS OTHERWISE SPECIFIED: X ±0.20 X.X ±0.10 X.XX ±0.05 ANGULAR: ±0.5°	UNITS:	DRAWN BY:	DATE:
		APPROVED BY:	14-03-16	
		RELEASE LEVEL:	REVISION:	



DETAIL A
SCALE 2:5


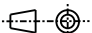
SECTION A-A

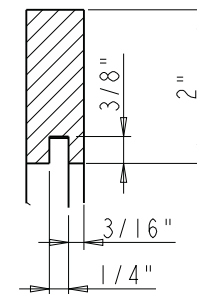
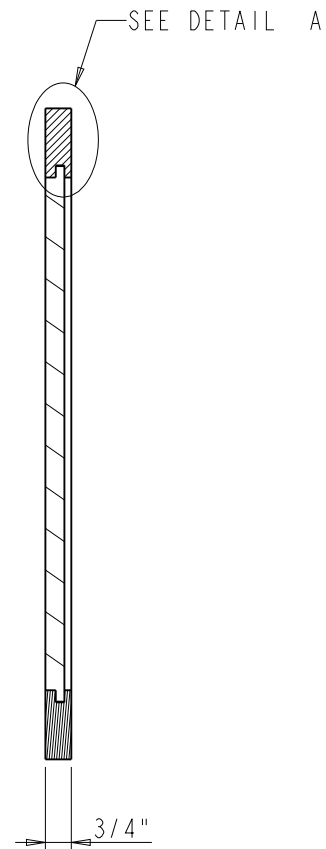
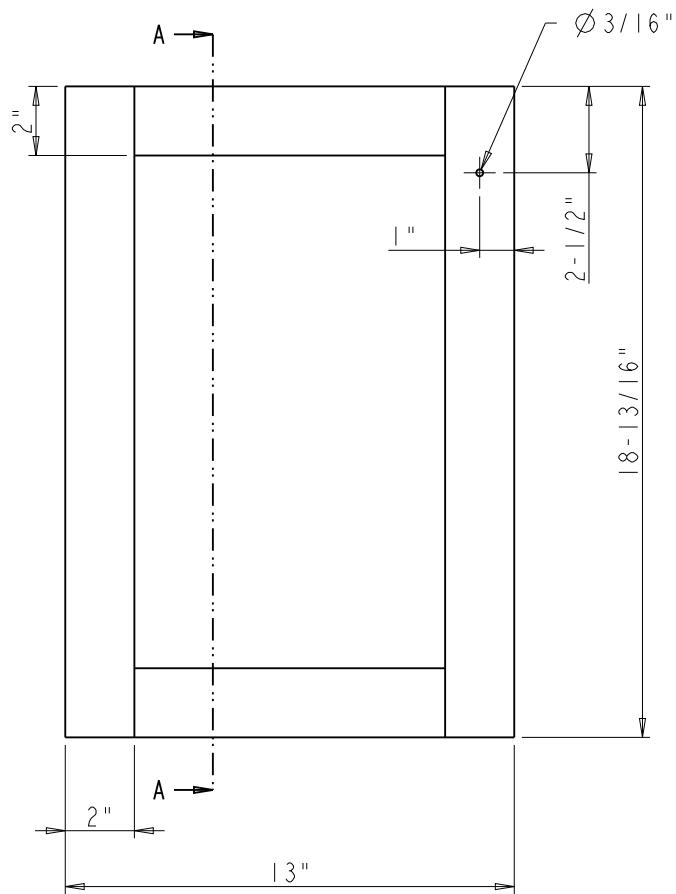
<p>hardware resources</p> <p>PROPRIETARY AND CONFIDENTIAL</p> <p>THE INFORMATION CONTAINED IN THIS DRAWING IS THE SOLE PROPERTY OF HARDWARE RESOURCES INC. ANY REPRODUCTION IN PART OR AS A WHOLE WITHOUT THE WRITTEN PERMISSION OF HARDWARE RESOURCES INC. IS PROHIBITED.</p> <p>DO NOT SCALE DRAWING</p>	ITEM#: DOOR-60R		MATERIAL:		
	FINISH:		WEIGHT:		
	TOLERANCE UNLESS OTHERWISE SPECIFIED: X ±0.20 X.X ±0.10 X.XX ±0.05 ANGULAR: ±0.5°		UNITS:	DRAWN BY: Hugo.cai	DATE: 14-03-16
	SIZE:		APPROVED BY:	DATE:	PROJECTION:
SHEET:		RELEASE LEVEL:	REVISION:		



Specification:

1. Material: PLY wood and Birch
2. Finish: Grey

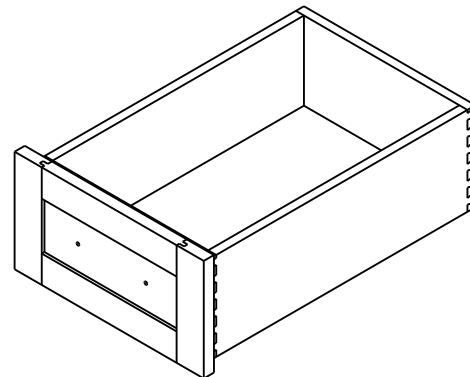
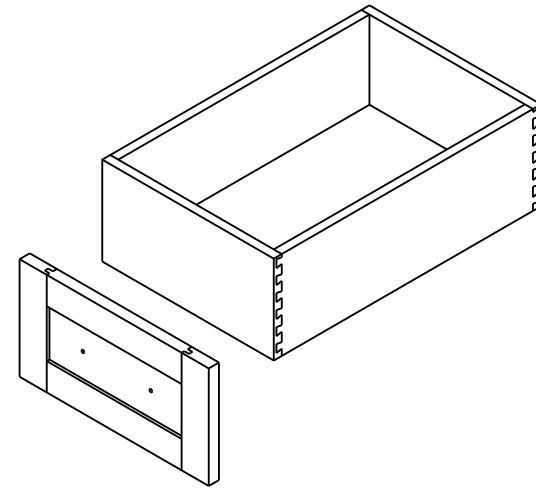
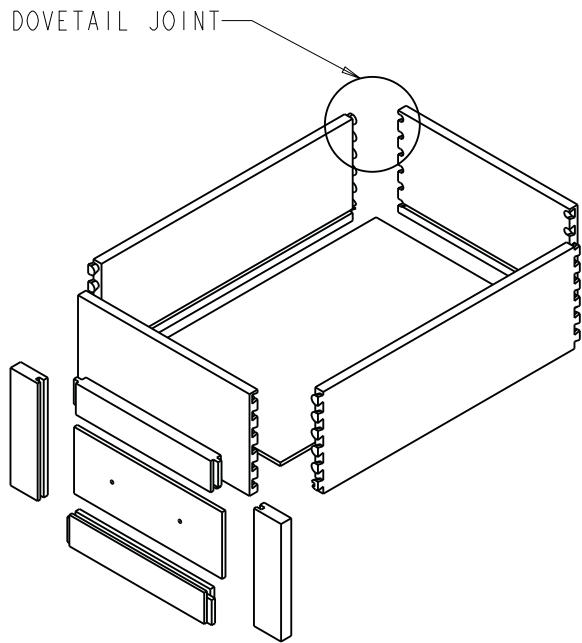
 PROPRIETARY AND CONFIDENTIAL THE INFORMATION CONTAINED IN THIS DRAWING IS THE SOLE PROPERTY OF HARDWARE RESOURCES INC. ANY REPRODUCTION IN PART OR AS A WHOLE WITHOUT THE WRITTEN PERMISSION OF HARDWARE RESOURCES INC. IS PROHIBITED. DO NOT SCALE DRAWING	ITEM:	DOOR - 60L		MATERIAL:
	FINISH:			WEIGHT:
				PROJECTION
				
TOLERANCE UNLESS OTHERWISE SPECIFIED:	UNITS:	DRAWN BY:		DATE:
X ±0.20		Hugo.cai		14-03-16
X.X ±0.10	SIZE:	APPROVED BY:	DATE:	
X.XX ±0.05	SHEET:	RELEASE LEVEL:	REVISION:	
ANGULAR: ±0.5°				



DETAIL A
SCALE 2:5


SECTION A-A

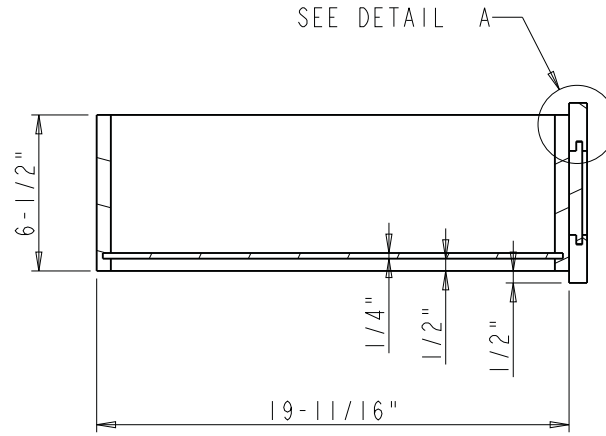
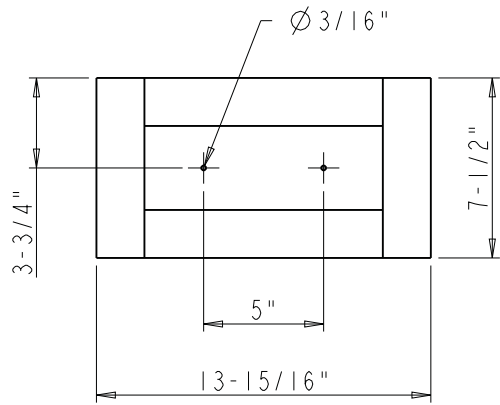
	ITEM#: DOOR-60L		MATERIAL:		
	FINISH:		WEIGHT:		
<p>PROPRIETARY AND CONFIDENTIAL</p> <p>THE INFORMATION CONTAINED IN THIS DRAWING IS THE SOLE PROPERTY OF HARDWARE RESOURCES INC. ANY REPRODUCTION IN PART OR AS A WHOLE WITHOUT THE WRITTEN PERMISSION OF HARDWARE RESOURCES INC. IS PROHIBITED.</p>	UNITS:		DRAWN BY: Hugo.cai		
	TOLERANCE UNLESS OTHERWISE SPECIFIED: X ±0.20 X.X ±0.10 X.XX ±0.05 ANGULAR: ±0.5°		DATE: 14-03-16		
	DO NOT SCALE DRAWING		APPROVED BY:		
	SHEET:		RELEASE LEVEL:		
		DATE:		REVISION:	
		PROJECTION		9	



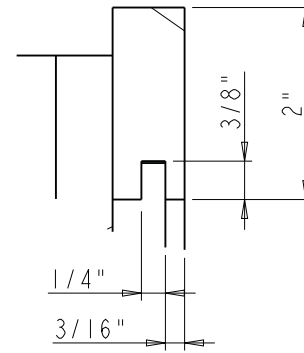
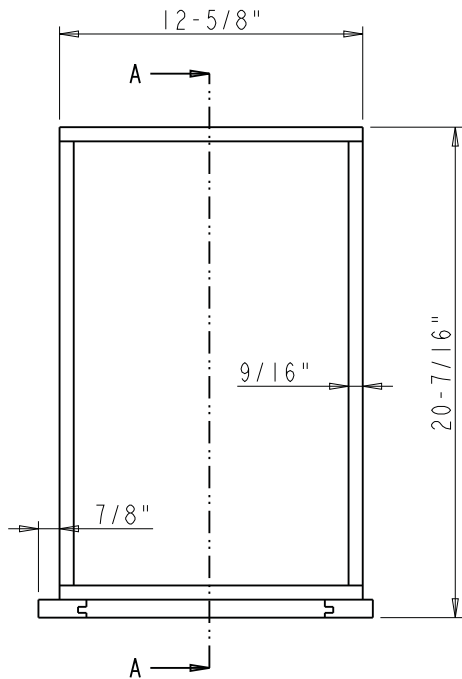
Specification:

- 1. Drawer Boxes: 5/8" Rubber wood
Clear color
Dovetail

 PROPRIETARY AND CONFIDENTIAL THE INFORMATION CONTAINED IN THIS DRAWING IS THE SOLE PROPERTY OF HARDWARE RESOURCES INC. ANY REPRODUCTION IN PART OR AS A WHOLE WITHOUT THE WRITTEN PERMISSION OF HARDWARE RESOURCES INC. IS PROHIBITED.	ITEM#: DRAWER-MID-TOP-60D-R		MATERIAL:	
	FINISH:		WEIGHT: 9	
DO NOT SCALE DRAWING	TOLERANCE UNLESS OTHERWISE SPECIFIED: X ±0.20 X.X ±0.10 X.XX ±0.05 ANGULAR: ±0.5°		UNITS:	DRAWN BY: Hugo.cai
	SIZE:		APPROVED BY:	DATE: 03-16-16
	SHEET:		RELEASE LEVEL:	DATE:
	REVISION:		REVISION:	



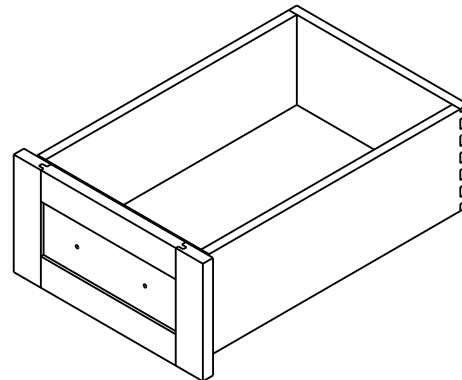
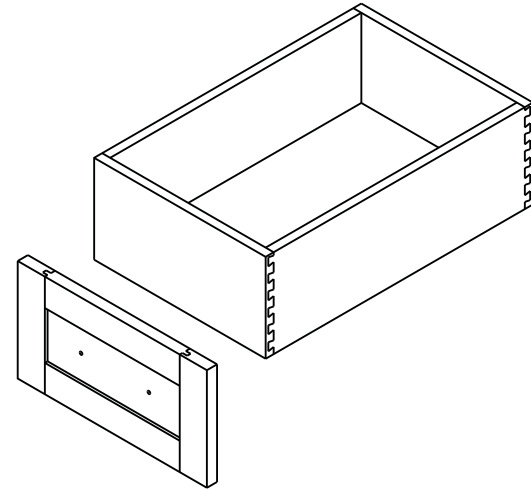
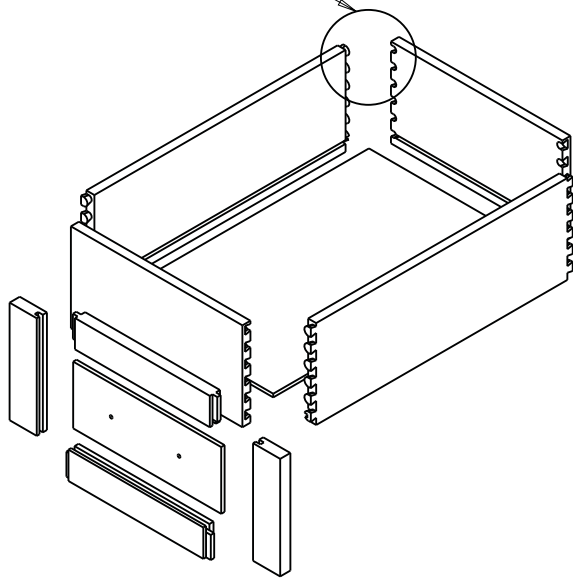
SECTION A-A



DETAIL A
SCALE 1:2

	ITEM:	DRAWER-MID-TOP-60D-R		MATERIAL:
	FINISH:			WEIGHT:
<p>PROPRIETARY AND CONFIDENTIAL</p> <p>THE INFORMATION CONTAINED IN THIS DRAWING IS THE SOLE PROPERTY OF HARDWARE RESOURCES INC. ANY REPRODUCTION IN PART OR AS A WHOLE WITHOUT THE WRITTEN PERMISSION OF HARDWARE RESOURCES INC. IS PROHIBITED.</p>	TOLERANCE UNLESS OTHERWISE SPECIFIED:	UNITS:	DRAWN BY:	DATE:
	X ±0.20		Hugo.cai	03-16-16
	X.X ±0.10	SIZE:	APPROVED BY:	DATE:
	X.XX ±0.05	SHEET:	RELEASE LEVEL:	REVISION:
ANGULAR: ±0.5°	DO NOT SCALE DRAWING			

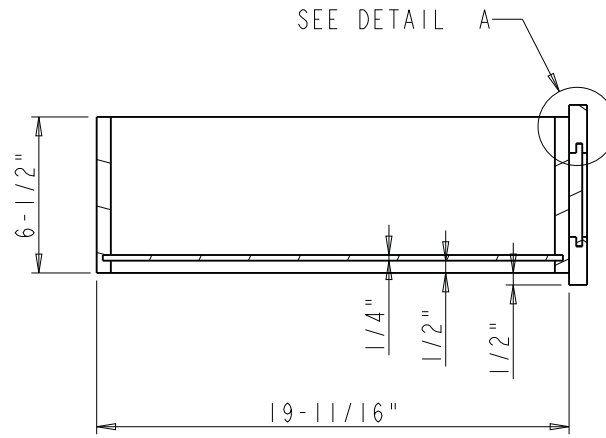
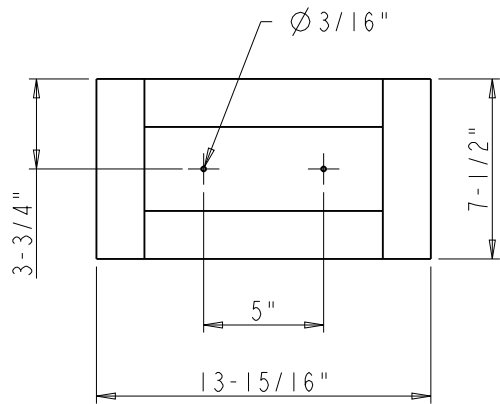
DOVETAIL JOINT



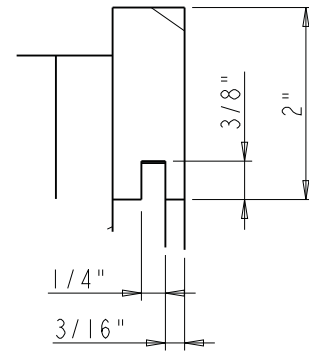
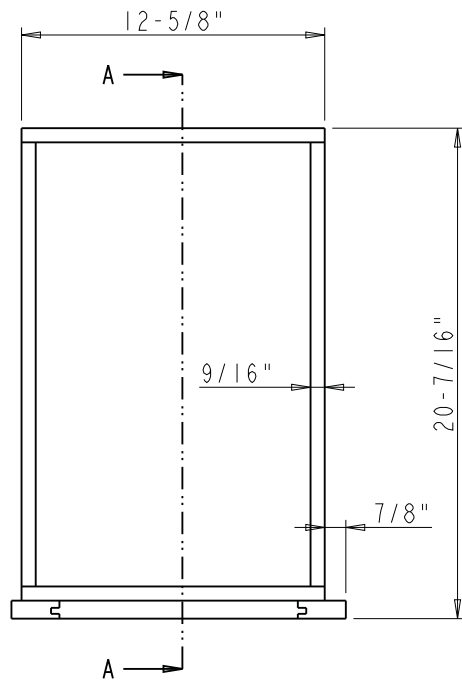
Specification:

- 1. Drawer Boxes: 5/8" Rubber wood
- Clear color
- Dovetail

	ITEM#: DRAWER-MID-TOP-60D-L		MATERIAL:		
	FINISH:		WEIGHT: 9		
PROPRIETARY AND CONFIDENTIAL THE INFORMATION CONTAINED IN THIS DRAWING IS THE SOLE PROPERTY OF HARDWARE RESOURCES INC. ANY REPRODUCTION IN PART OR AS A WHOLE WITHOUT THE WRITTEN PERMISSION OF HARDWARE RESOURCES INC. IS PROHIBITED.	TOLERANCE UNLESS OTHERWISE SPECIFIED: X ±0.20 X.X ±0.10 X.XX ±0.05 ANGULAR: ±0.5°		UNITS:	DRAWN BY: Hugo.cai	DATE: 03-16-16
	DO NOT SCALE DRAWING		SIZE:	APPROVED BY:	DATE:
			SHEET:	RELEASE LEVEL:	REVISION:
			PROJECTION		



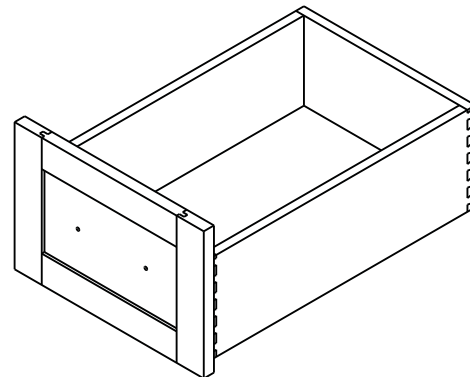
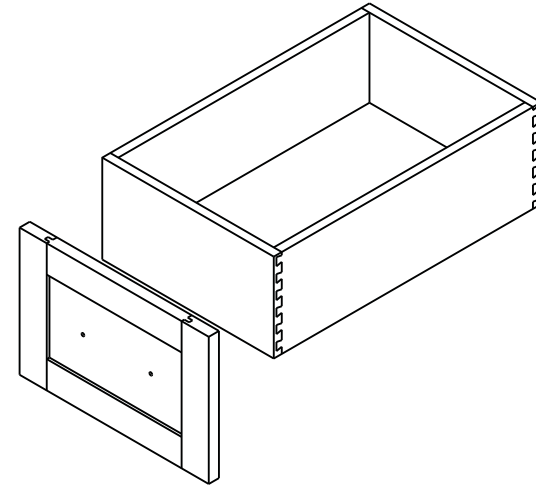
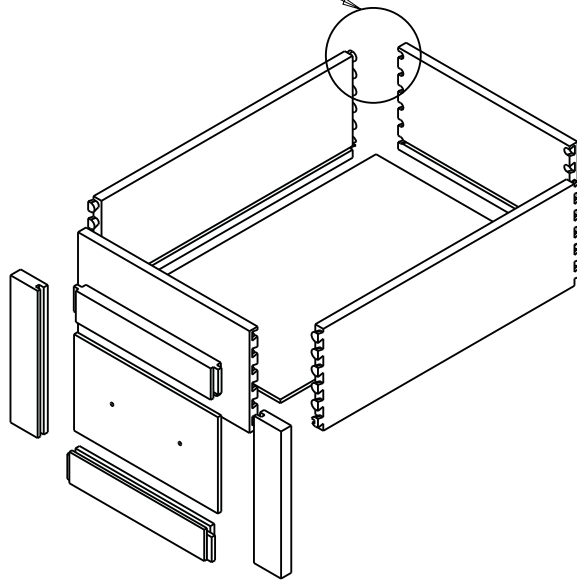
SECTION A-A



DETAIL A
SCALE 1:2


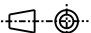
	ITEM:	DRAWER-MID-TOP-60D-L		MATERIAL:
	FINISH:			WEIGHT:
<p>PROPRIETARY AND CONFIDENTIAL</p> <p>THE INFORMATION CONTAINED IN THIS DRAWING IS THE SOLE PROPERTY OF HARDWARE RESOURCES INC. ANY REPRODUCTION IN PART OR AS A WHOLE WITHOUT THE WRITTEN PERMISSION OF HARDWARE RESOURCES INC. IS PROHIBITED.</p>	<p>UNITS:</p> <p>TOLERANCE UNLESS OTHERWISE SPECIFIED:</p> <p>X ±0.20</p> <p>X.X ±0.10</p> <p>X.XX ±0.05</p> <p>ANGULAR: ±0.5°</p>		<p>DATE:</p> <p>03-16-16</p>	<p>PROJECTION</p>
	DO NOT SCALE DRAWING	<p>DATE:</p> <p>03-16-16</p>	<p>DATE:</p>	<p>DATE:</p>
		<p>APPROVED BY:</p> <p><i>Hugo.cai</i></p>	<p>DATE:</p>	<p>DATE:</p>
		<p>RELEASE LEVEL:</p>	<p>REVISION:</p>	<p>REVISION:</p>

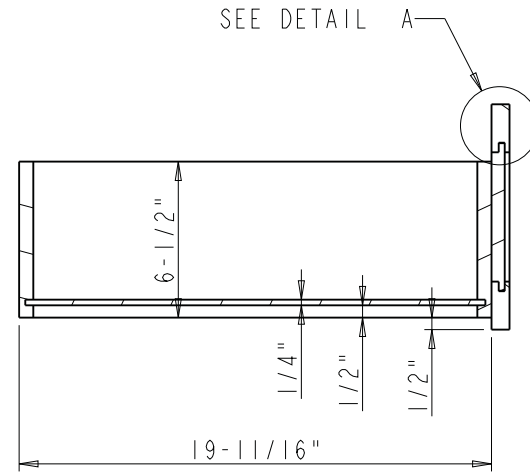
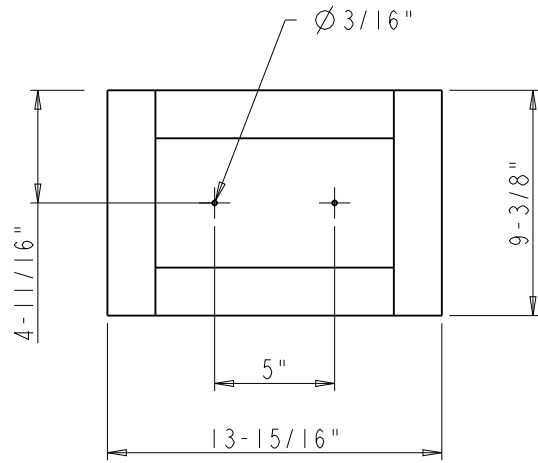
DOVETAIL JOINT



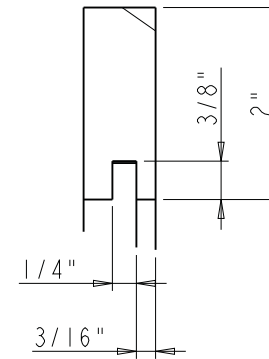
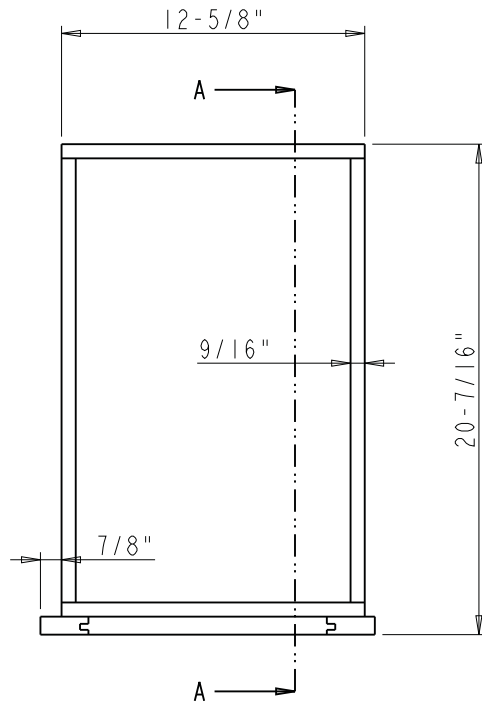
Specification:

- 1. Drawer Boxes: 5/8" Rubber wood
- Clear color
- Dovetail

 PROPRIETARY AND CONFIDENTIAL <small>THE INFORMATION CONTAINED IN THIS DRAWING IS THE SOLE PROPERTY OF HARDWARE RESOURCES INC. ANY REPRODUCTION IN PART OR AS A WHOLE WITHOUT THE WRITTEN PERMISSION OF HARDWARE RESOURCES INC. IS PROHIBITED.</small>	ITEM#: DRAWER-MID-BOT-60D-R		MATERIAL:		
	FINISH:		WEIGHT: 9		
<small>DO NOT SCALE DRAWING</small>	TOLERANCE UNLESS OTHERWISE SPECIFIED: X ±0.20 X.X ±0.10 X.XX ±0.05 ANGULAR: ±0.5°		UNITS:	DRAWN BY: Hugo.cai	DATE: 03-16-16
	SIZE:	APPROVED BY:	DATE:		
	SHEET:	RELEASE LEVEL:	REVISION:		
	PROJECTION 				



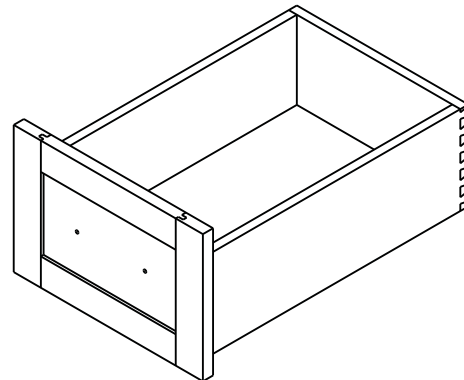
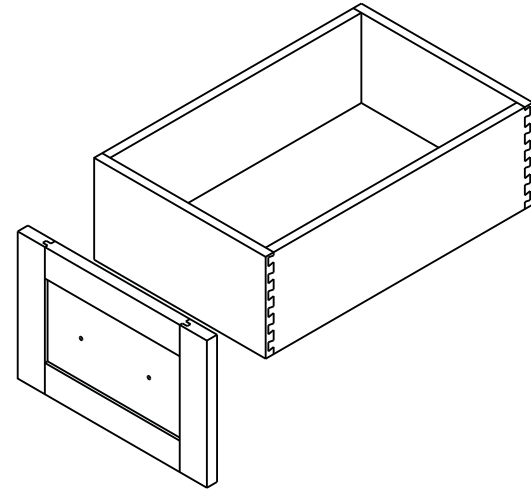
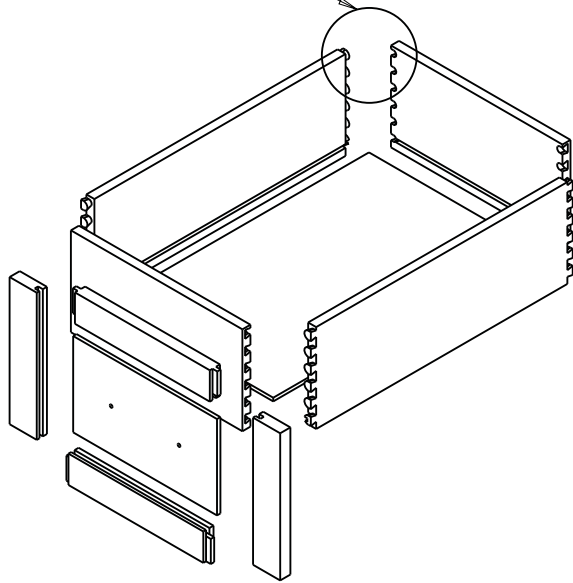
SECTION A-A



DETAIL A
SCALE 1:2


	ITEM:	DRAWER-MID-BOT-60D-R		MATERIAL:
	FINISH:			WEIGHT:
<p>PROPRIETARY AND CONFIDENTIAL</p> <p>THE INFORMATION CONTAINED IN THIS DRAWING IS THE SOLE PROPERTY OF HARDWARE RESOURCES INC. ANY REPRODUCTION IN PART OR AS A WHOLE WITHOUT THE WRITTEN PERMISSION OF HARDWARE RESOURCES INC. IS PROHIBITED.</p>	UNITS:		DRAWN BY:	DATE:
	TOLERANCE UNLESS OTHERWISE SPECIFIED:		Hugo.cai	
	SIZE:	APPROVED BY:	DATE:	
	SHEET:	RELEASE LEVEL:	REVISION:	
DO NOT SCALE DRAWING				<p>PROJECTION</p>
				9
				08-05-15

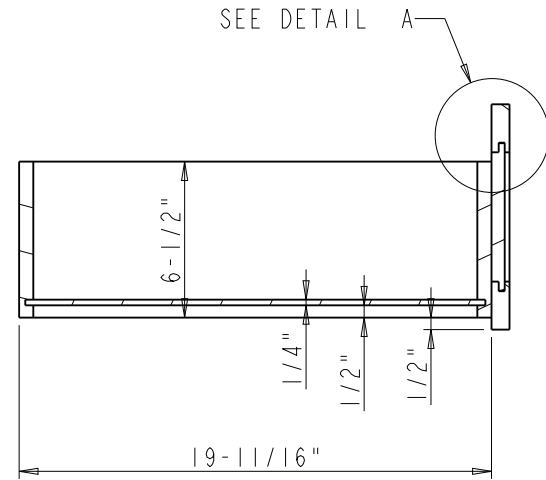
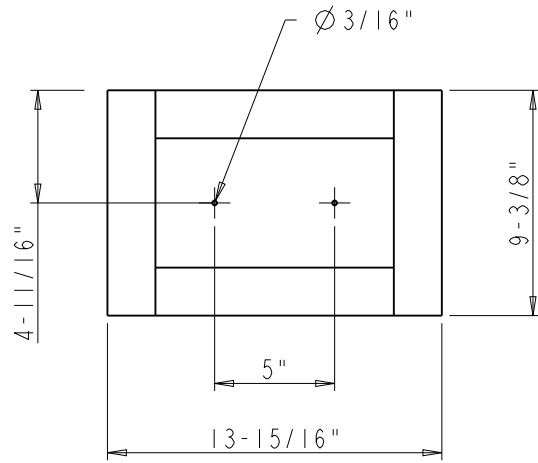
DOVETAIL JOINT



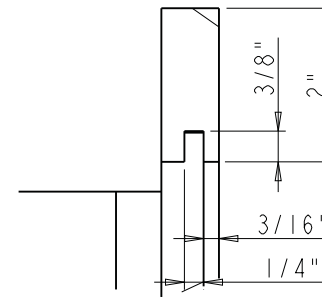
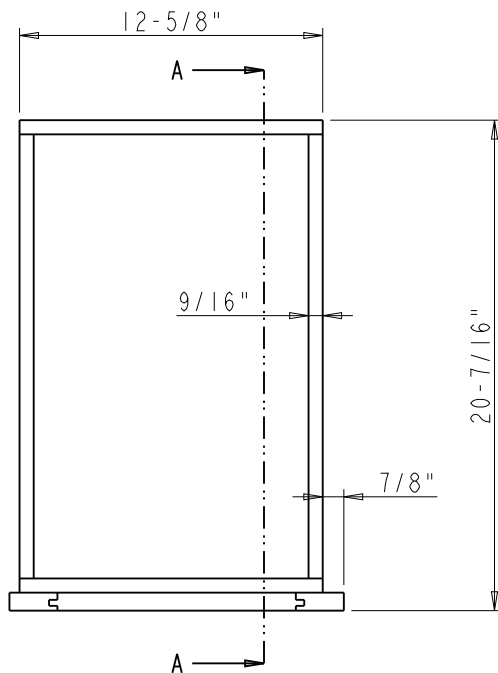
Specification:

- 1. Drawer Boxes: 5/8" Rubber wood
- Clear color
- Dovetail

 PROPRIETARY AND CONFIDENTIAL THE INFORMATION CONTAINED IN THIS DRAWING IS THE SOLE PROPERTY OF HARDWARE RESOURCES INC. ANY REPRODUCTION IN PART OR AS A WHOLE WITHOUT THE WRITTEN PERMISSION OF HARDWARE RESOURCES INC. IS PROHIBITED.	ITEM#: DRAWER-MID-BOT-60D-L		MATERIAL:	
	FINISH:		WEIGHT: 9	
DO NOT SCALE DRAWING	TOLERANCE UNLESS OTHERWISE SPECIFIED: X ±0.20 X.X ±0.10 X.XX ±0.05 ANGULAR: ±0.5°		UNITS:	DRAWN BY: Hugo.cai
	SIZE:		APPROVED BY:	DATE: 03-16-16
	SHEET:		RELEASE LEVEL:	DATE:
	REVISION:		REVISION:	

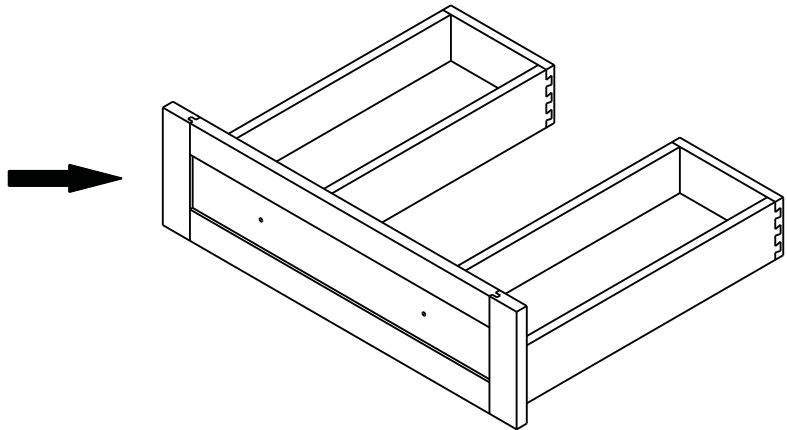
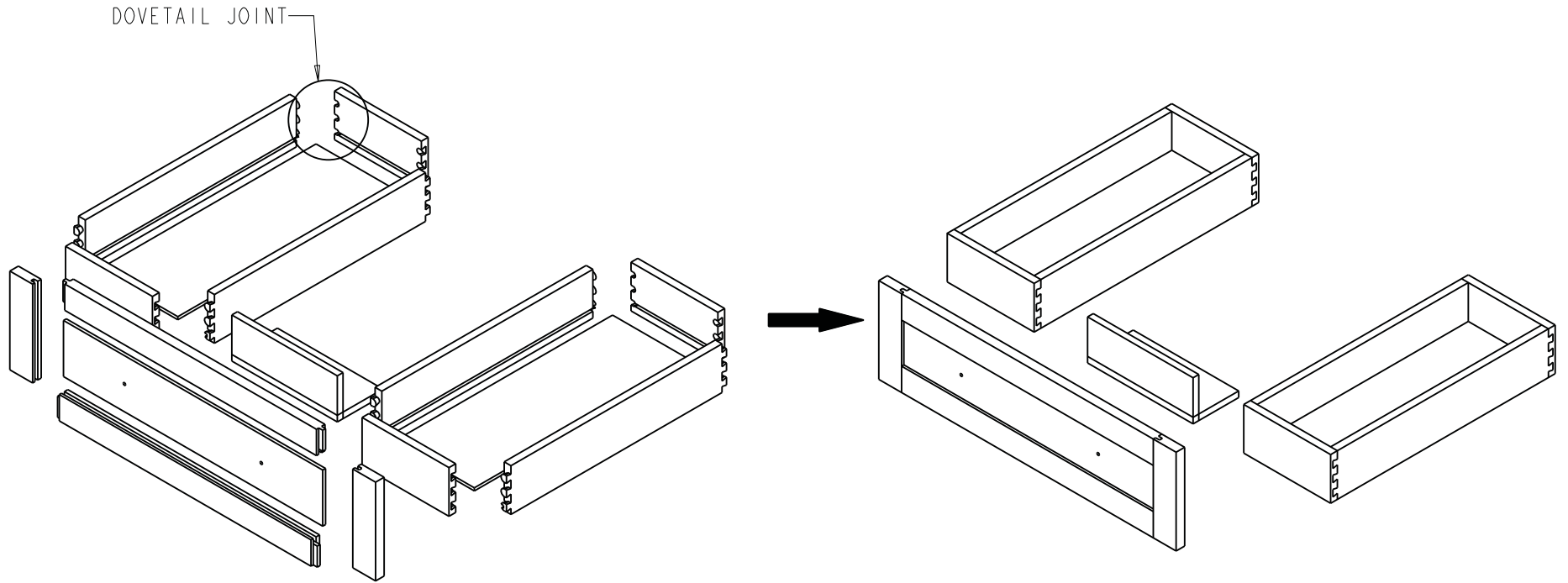


SECTION A-A




DETAIL A
SCALE 2:5

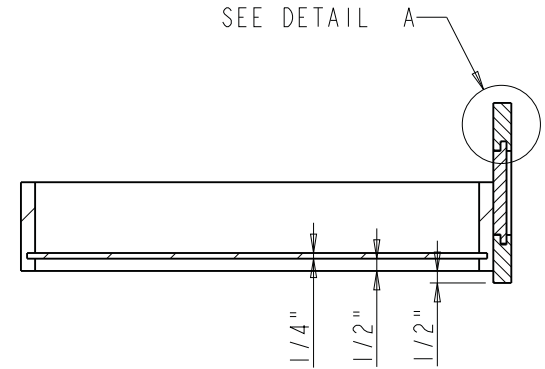
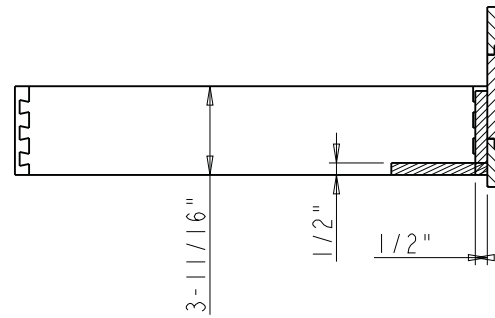
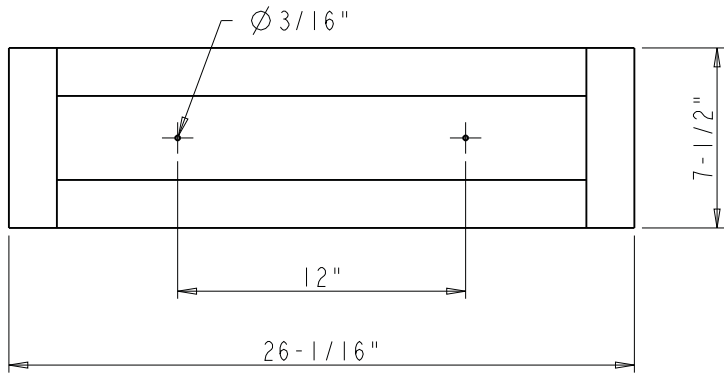
	ITEM:	DRAWER-MID-BOT-60D-L		MATERIAL:
	FINISH:			WEIGHT:
<p>PROPRIETARY AND CONFIDENTIAL</p> <p>THE INFORMATION CONTAINED IN THIS DRAWING IS THE SOLE PROPERTY OF HARDWARE RESOURCES INC. ANY REPRODUCTION IN PART OR AS A WHOLE WITHOUT THE WRITTEN PERMISSION OF HARDWARE RESOURCES INC. IS PROHIBITED.</p>	UNITS:		DRAWN BY:	DATE:
	TOLERANCE UNLESS OTHERWISE SPECIFIED:			08-05-15
	X ±0.20 X.X ±0.10 X.XX ±0.05 ANGULAR: ±0.5°	APPROVED BY:		DATE:
	DO NOT SCALE DRAWING	SHEET:	RELEASE LEVEL:	REVISION:



Specification:

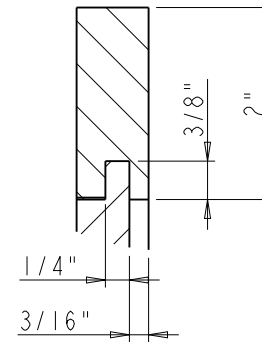
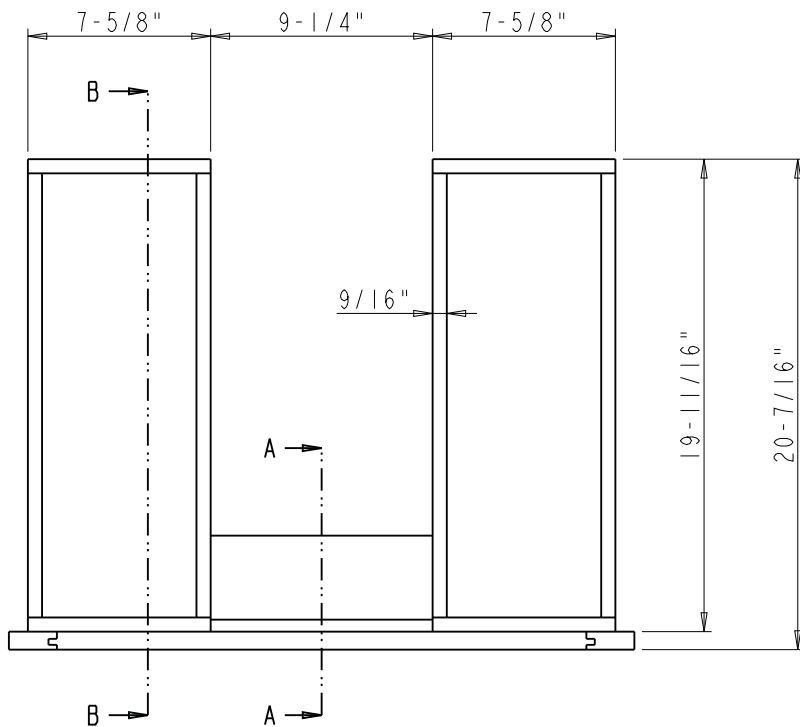
- 1. Drawer Boxes: 5/8" Rubber wood
- Clear color
- Dovetail

 <small>PROPRIETARY AND CONFIDENTIAL</small> <small>THE INFORMATION CONTAINED IN THIS DRAWING IS THE SOLE PROPERTY OF HARDWARE RESOURCES INC. ANY REPRODUCTION IN PART OR AS A WHOLE WITHOUT THE WRITTEN PERMISSION OF HARDWARE RESOURCES INC. IS PROHIBITED.</small>	ITEM: DRAWER-MID-60		MATERIAL:	
	FINISH:		WEIGHT: 9	
<small>TOLERANCE UNLESS OTHERWISE SPECIFIED: X ±0.20 X.X ±0.10 X.XX ±0.05 ANGULAR: ±0.5°</small>		UNITS:	DRAWN BY: Hugo.cai	DATE: 03-16-16
		SIZE:	APPROVED BY:	DATE:
DO NOT SCALE DRAWING		SHEET:	RELEASE LEVEL:	REVISION:



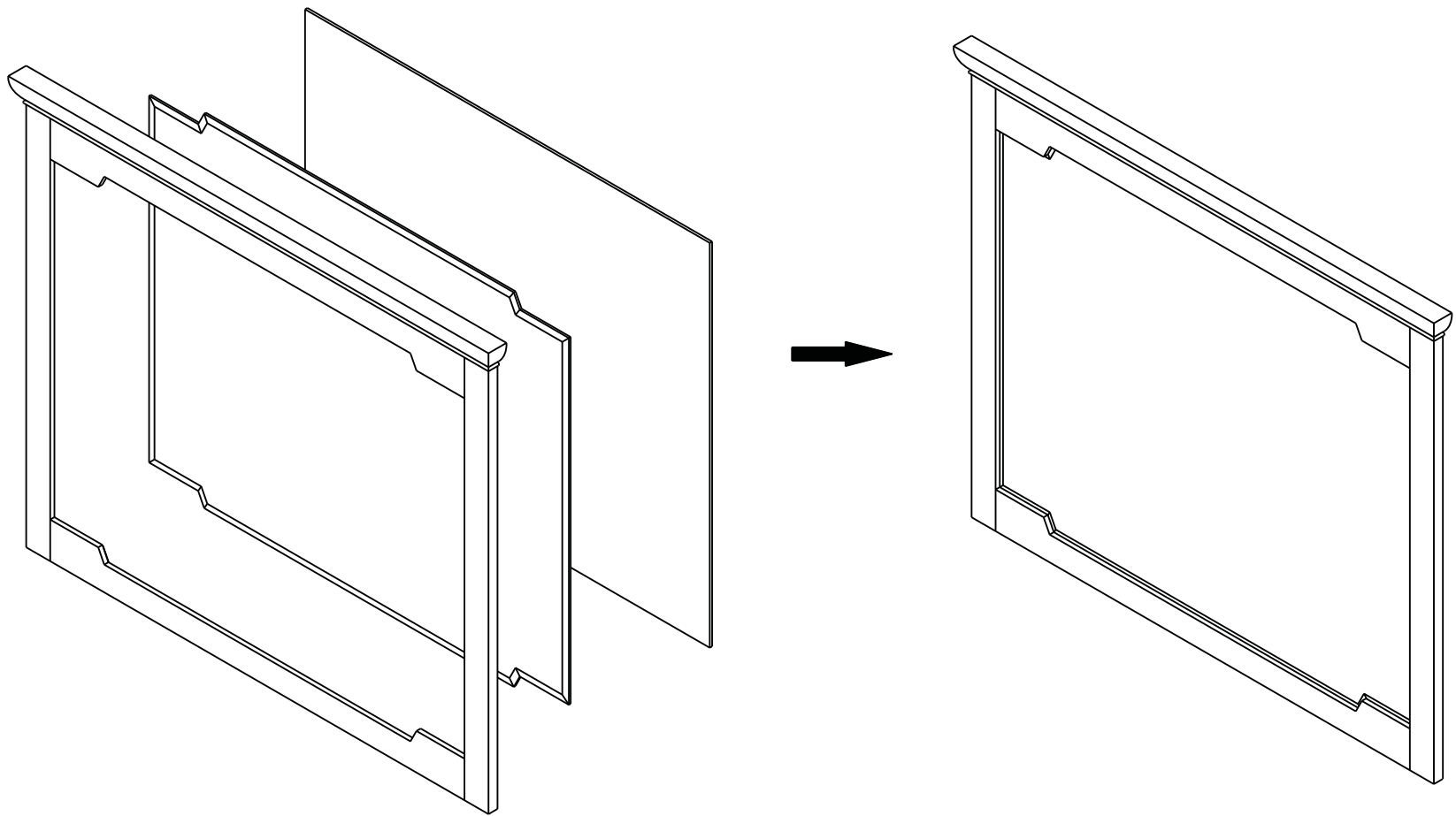
SECTION A-A

SECTION B-B




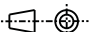
DETAIL A
SCALE 1:2

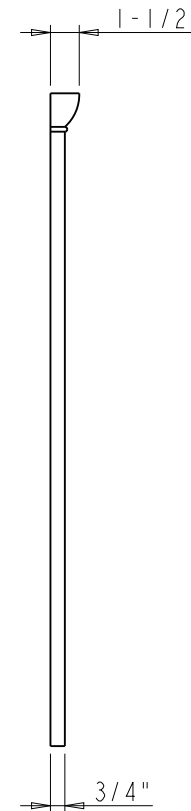
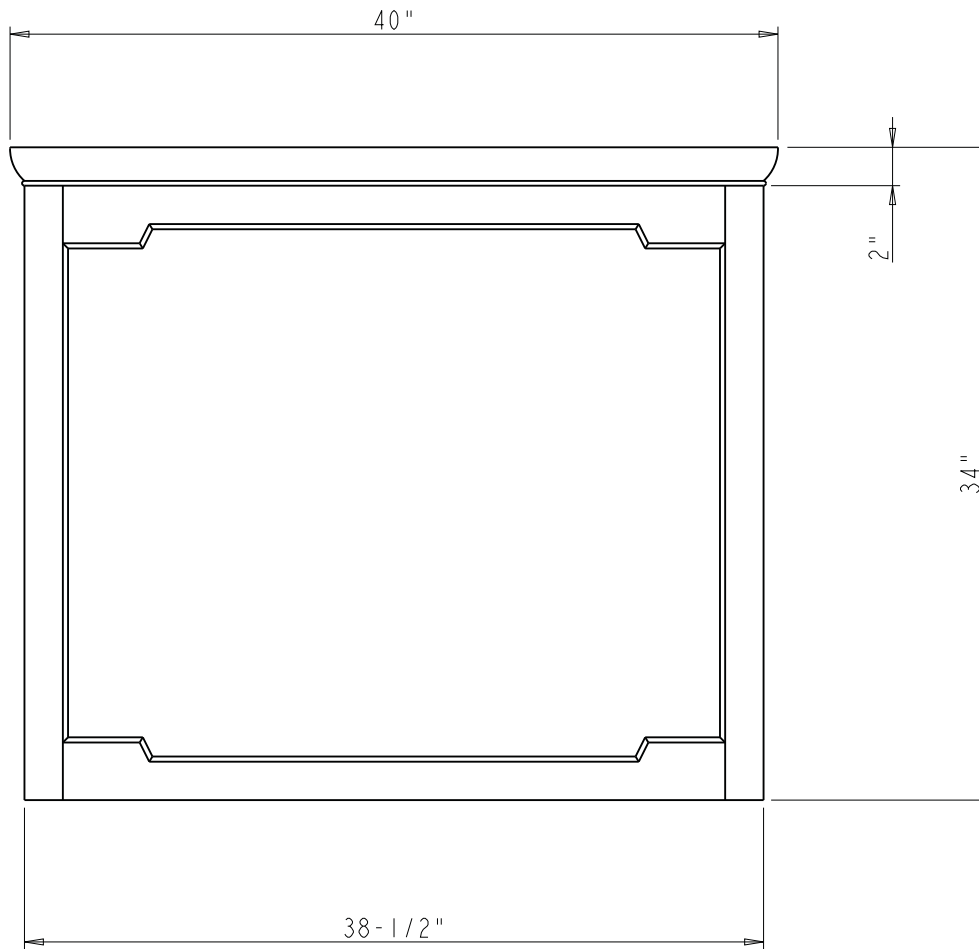
	ITEM#: DRAWER-MID-60		MATERIAL:	
	FINISH:		WEIGHT:	
<p>PROPRIETARY AND CONFIDENTIAL</p> <p>THE INFORMATION CONTAINED IN THIS DRAWING IS THE SOLE PROPERTY OF HARDWARE RESOURCES INC. ANY REPRODUCTION IN PART OR AS A WHOLE WITHOUT THE WRITTEN PERMISSION OF HARDWARE RESOURCES INC. IS PROHIBITED.</p>	UNITS: X ±0.20 X.X ±0.10 X.XX ±0.05 ANGULAR: ±0.5°		DATE: 03-16-16	
	DRAWN BY: Hugo.cai		DATE:	
	DO NOT SCALE DRAWING		APPROVED BY:	REVISION:
			RELEASE LEVEL:	



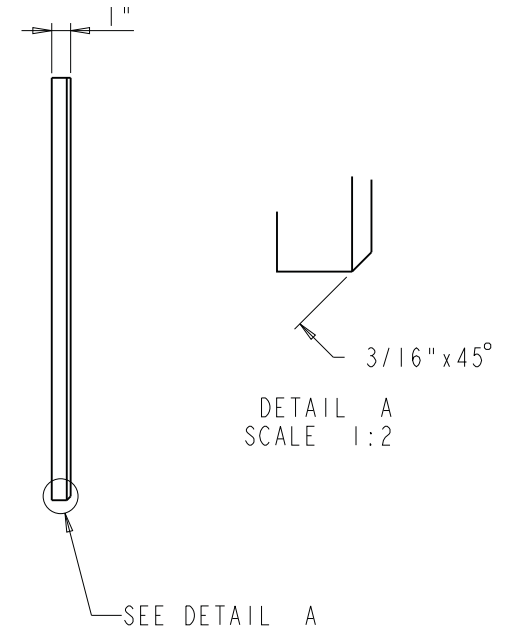
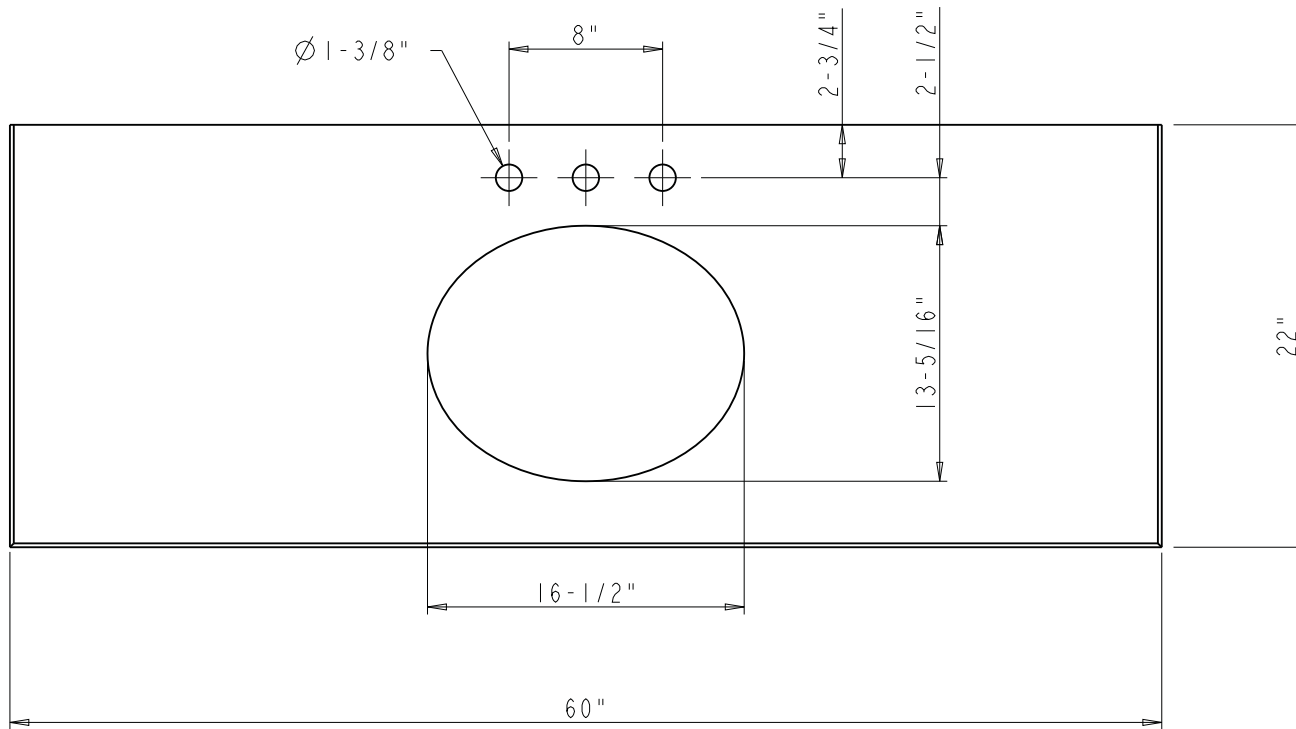
Specification:

1. Material: PLY wood and Birch
2. Finish: Grey

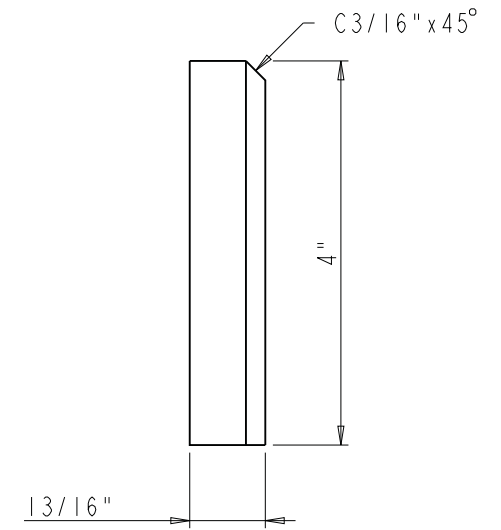
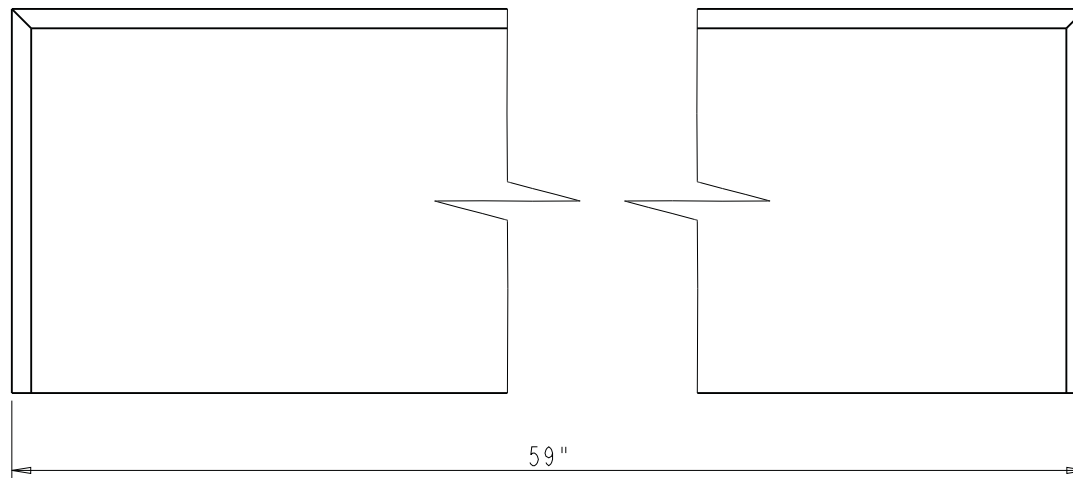
 <small>PROPRIETARY AND CONFIDENTIAL</small> <small>THE INFORMATION CONTAINED IN THIS DRAWING IS THE SOLE PROPERTY OF HARDWARE RESOURCES INC. ANY REPRODUCTION IN PART OR AS A WHOLE WITHOUT THE WRITTEN PERMISSION OF HARDWARE RESOURCES INC. IS PROHIBITED.</small> <small>DO NOT SCALE DRAWING</small>	ITEM:	MIR105-40	MATERIAL:
	FINISH:		WEIGHT:
			9
			PROJECTION 
	TOLERANCE UNLESS OTHERWISE SPECIFIED:	UNITS:	DRAWN BY:
	X ±0.20		Hugo.cai
	X.X ±0.10	SIZE:	APPROVED BY:
	X.XX ±0.05		
	ANGULAR: ±0.5°	SHEET:	RELEASE LEVEL:
			REVISION:
			DATE: 08-05-15


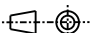


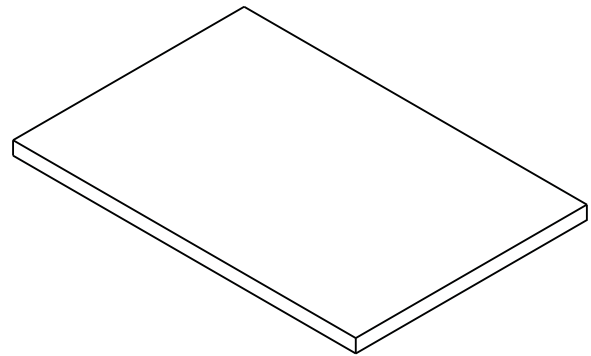
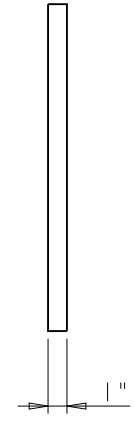
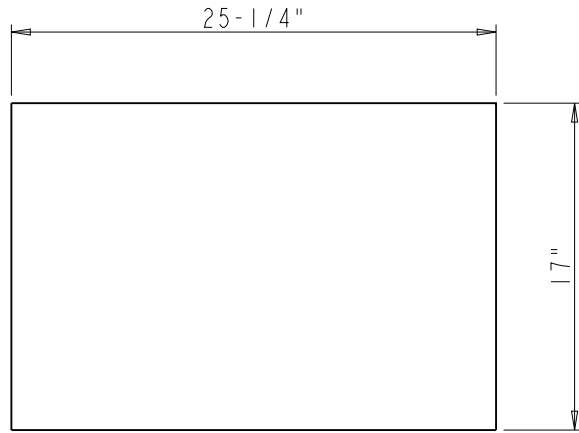
<p>hardware resources</p> <p>PROPRIETARY AND CONFIDENTIAL</p> <p>THE INFORMATION CONTAINED IN THIS DRAWING IS THE SOLE PROPERTY OF HARDWARE RESOURCES INC. ANY REPRODUCTION IN PART OR AS A WHOLE WITHOUT THE WRITTEN PERMISSION OF HARDWARE RESOURCES INC. IS PROHIBITED.</p> <p>DO NOT SCALE DRAWING</p>	ITEM#: MIR105-40		MATERIAL:		
	FINISH:		WEIGHT:		
	TOLERANCE UNLESS OTHERWISE SPECIFIED: X ±0.20 X.X ±0.10 X.XX ±0.05 ANGULAR: ±0.5°		UNITS:	DRAWN BY: Hugo.cai	DATE: 03-23-16
	SHEET:		APPROVED BY:	DATE:	REVISION:
PROJECTION		RELEASE LEVEL:			




<p>hardware resources</p> <p>PROPRIETARY AND CONFIDENTIAL</p> <p>THE INFORMATION CONTAINED IN THIS DRAWING IS THE SOLE PROPERTY OF HARDWARE RESOURCES INC. ANY REPRODUCTION IN PART OR AS A WHOLE WITHOUT THE WRITTEN PERMISSION OF HARDWARE RESOURCES INC. IS PROHIBITED.</p> <p>DO NOT SCALE DRAWING</p>	ITEM:	TOP-BOAR-60		MATERIAL:
	FINISH:			WEIGHT:
				9
				PROJECTION
TOLERANCE UNLESS OTHERWISE SPECIFIED:		UNITS:	DRAWN BY:	DATE:
X ±0.20			Hugo.cai	03-16-16
X.X ±0.10		SIZE:	APPROVED BY:	DATE:
X.XX ±0.05				
ANGULAR: ±0.5°		SHEET:	RELEASE LEVEL:	REVISION:



 PROPRIETARY AND CONFIDENTIAL THE INFORMATION CONTAINED IN THIS DRAWING IS THE SOLE PROPERTY OF HARDWARE RESOURCES INC. ANY REPRODUCTION IN PART OR AS A WHOLE WITHOUT THE WRITTEN PERMISSION OF HARDWARE RESOURCES INC. IS PROHIBITED.	ITEM#: VSPLASH-59		MATERIAL:		
	FINISH:		WEIGHT: 9		
DO NOT SCALE DRAWING	TOLERANCE UNLESS OTHERWISE SPECIFIED: X ±0.20 X.X ±0.10 X.XX ±0.05 ANGULAR: ±0.5°		UNITS:	DRAWN BY: Hugo.cai	DATE: 03-18-16
	SIZE:	APPROVED BY:	DATE:		
	SHEET:	RELEASE LEVEL:	REVISION:		
	PROJECTION 				



 PROPRIETARY AND CONFIDENTIAL THE INFORMATION CONTAINED IN THIS DRAWING IS THE SOLE PROPERTY OF HARDWARE RESOURCES INC. ANY REPRODUCTION IN PART OR AS A WHOLE WITHOUT THE WRITTEN PERMISSION OF HARDWARE RESOURCES INC. IS PROHIBITED.	ITEM#: ADJUSTABLE-SHELF-60		MATERIAL:		
	FINISH:		WEIGHT: 9		
	TOLERANCE UNLESS OTHERWISE SPECIFIED: X ±0.20 X.X ±0.10 X.XX ±0.05 ANGULAR: ±0.5°		UNITS:	DRAWN BY: Hugo.cai	DATE: 03-21-16
	DO NOT SCALE DRAWING		SIZE:	APPROVED BY:	DATE:
		SHEET:	RELEASE LEVEL:	REVISION:	