

SPECIFICATIONS

GENERAL SPECIFICATIONS

The flow check shall be designed to provide positive shut-off when water service is interrupted.

The valve shall have a metal to metal seat to resist corrosion and wear. The unit shall be easily opened for circulation. The valve shall be suitable for supply pressures up to 50 psi for 3/4" – 1-1/4" and 125 psi for 1-1/2" – 2" and water temperatures from 33°F to 250°F.

The valve's internal parts, such as the seat assembly, shall be accessible for inspection, repair or replacement without disconnecting the device from the pipeline. With the threaded connection series, the valve shall have a bottom connection which can be used as a bypass, thermal expansion tank fitting, or it may be plugged.

CONBRACO SPECIFICATIONS

The flow check shall be designed to provide positive shut-off when water service is interrupted.

The valve shall have a metal to metal seat to resist corrosion and wear. The unit shall be easily opened for circulation. All parts shall be made of corrosion resistant materials and shall be 100% made in the USA. The valve shall be suitable for supply pressures up to 50 psi for 3/4" – 1-1/4" and 125 psi for 1-1/2" – 2" and water temperatures from 33°F to 250°F.

The valve's internal parts, such as the seat assembly, shall be accessible for inspection, repair or replacement without disconnecting the device from the pipeline. With the threaded connection series, the valve shall have a bottom connection which can be used as a bypass, thermal expansion tank fitting, or it may be plugged.

The manufacturing facility shall be ISO 9001 REGISTERED.

The hydronic flow check shall be manufactured by CONBRACO INDUSTRIES, INC., Matthews, NorthCarolina.

Hydronic Flow Check

Sizes 3/4", 1", 1-1/4", 1-1/2", and 2"



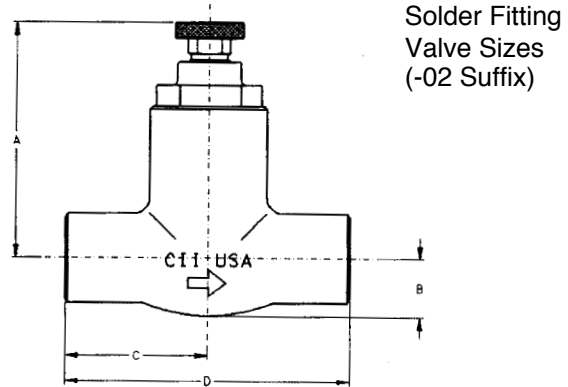
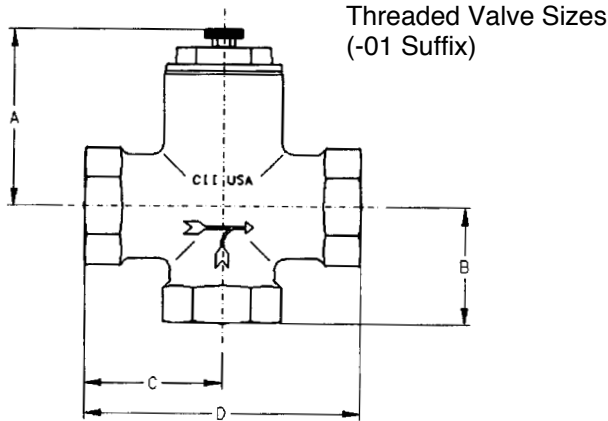
FEATURES

- Corrosion Resistant
- Wear Resistant Metal to Metal Seat
- Replaceable Seat Assembly
- By-Pass Option
- Sweat Connection Available
- Designed For Easy Maintenance
- Suitable For Hot Or Cold Water Service
- Maximum Working Pressure
50 psig For 3/4" - 1-1/4"
125 psig For 1-1/2" - 2"
- Maximum Operating Temperature 250°F

APPROVALS

The Hydronic Flow Check is not governed by any agency, therefore no approvals have been required.

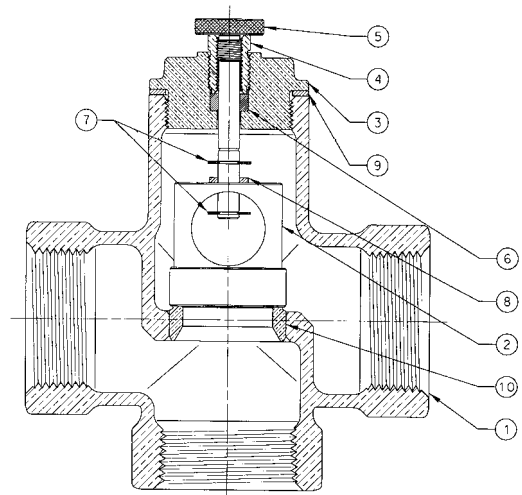
DIMENSIONS (in.) - WEIGHTS (lbs.)



35-FC SERIES DIMENSIONS (in.) AND WEIGHTS (lbs.)							
PART NO.	SIZE	CONNECTION	A	B	C	D	WEIGHT
35-FC4-01	3/4"	THREADED	2-7/8"	1-3/8"	2"	4"	2.3
35-FC4-02	3/4"	SOLDER	2-3/4"	3/4"	1-3/4"	3-1/2"	1.1
35-FC5-01	1"	THREADED	2-7/8"	1-1/2"	2-1/8"	4-1/4"	2.6
35-FC5-02	1"	SOLDER	3"	7/8"	2-1/8"	4-1/4"	1.5
35-FC6-01	1-1/4"	THREADED	3-5/8"	2"	2-3/8"	4-3/4"	5.0
35-FC7-01	1-1/2"	THREADED	3-7/8"	2-1/2"	3"	6"	8.6
35-FC8-01	2"	THREADED	4-3/8"	2-5/8"	3-3/8"	6-3/4"	12.2

MATERIALS

Item	Description	Material
1.	Machined Body	Cast Bronze
2.	Check	B16 Brass
3.	Cap	Cast Bronze
4.	Packing Gland Screw	B16 Brass
5.	Adjusting Screw Assembly	B16 Brass
6.	Packing Ring	Graphite
7.	External Retaining Ring	Stainless Steel
8.	Washer	EPDM
9.	Gasket/O-ring	Non-Asbestos Fiber/EPDM
10.	Seat	B16 Brass



ORDERING NUMBER

35 - FC X - 0 X	
SIZE	CONNECTION
4 - 3/4"	01 - THREADED
5 - 1"	02 - SWEAT
6 - 1-1/4"	(only available in 3/4" & 1")
7 - 1-1/2"	
8 - 2"	

PLUMBING & HEATING PRODUCTS DIVISION

Conbraco Industries, Inc. P.O. Box 247 Matthews, N.C. 28106 (704) 841-6000 FAX (704) 841-6020-USA-

PRINTED IN USA
PHSSFC

www.conbraco.com

COPYRIGHT © 2002 CONBRACO INDUSTRIES, INC

02