

Connelly™ Pressure Balance Valve Trim

FEATURES

- Lever handle
- For use with the Pressure Balancing Valve (TSPTM)
- Hot & Cold Indicators

COLORS/FINISHES

- #CP Polished Chrome
- #BN Brushed Nickel
- #PN Polished Nickel

CODES/STANDARDS

- Meets or exceeds ASME A112.18.1/CSA B125.1, ASSE 1016
- Certifications: IAPMO(cUPC), State of Massachusetts, City of Los Angeles, and others
- Code Compliance: UPC, IPC, NSPC, NPC Canada, and others
- ADA compliant



PRODUCT SPECIFICATION

Pressure balance valve trim shall have a lever handle. Product shall be **TOTO Model TS221P#** ____ and required valve shall be **TOTO Model TSPTM**, sold separately.

TS221P

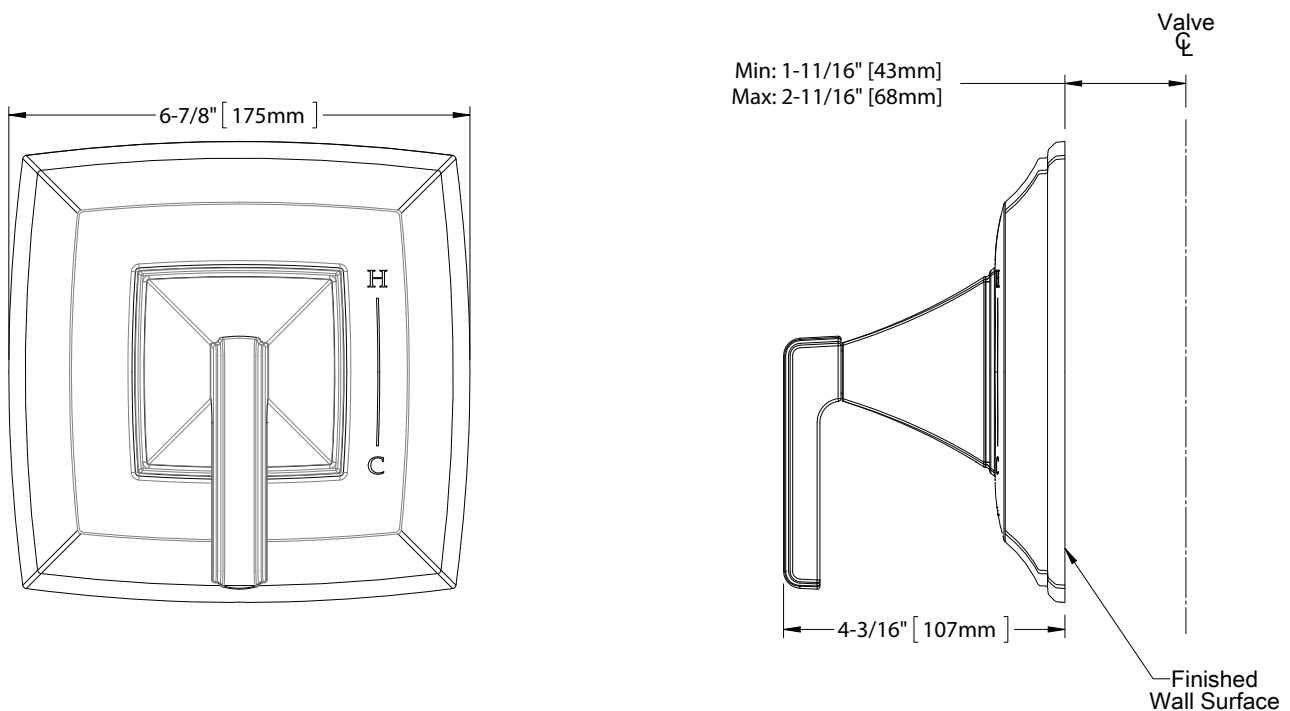
Connelly™ Pressure Balance Valve Trim

SPECIFICATIONS

- Warranty Lifetime Limited Warranty (Residential Use)
One Year (Commercial Use)
- Material Brass
- Shipping Weight 2.4 lbs.
- Shipping Dimensions 8-1/2"L x 7-1/2"W x 5-1/2"H

INSTALLATION NOTES

VALVE REQUIRED:
Pressure balancing valve model TSPTM sold separately.



TOTO

These dimensions and specifications are subject to change without notice