

Connelly™ Diverter Tub Spout

FEATURES

- Integrated diverter
- Laminar flow
- Brass construction
- 1/2" NPT connection

COLORS/FINISHES

- #CP Polished Chrome
- #BN Brushed Nickel
- #PN Polished Nickel



CODES/STANDARDS

- Meets or exceeds ASME A112.18.1/CSA B125.1
- Certifications: IAPMO(cUPC), State of Massachusetts and others
- Code Compliance: UPC, IPC, NSPC, NPC Canada, and others



PRODUCT SPECIFICATION

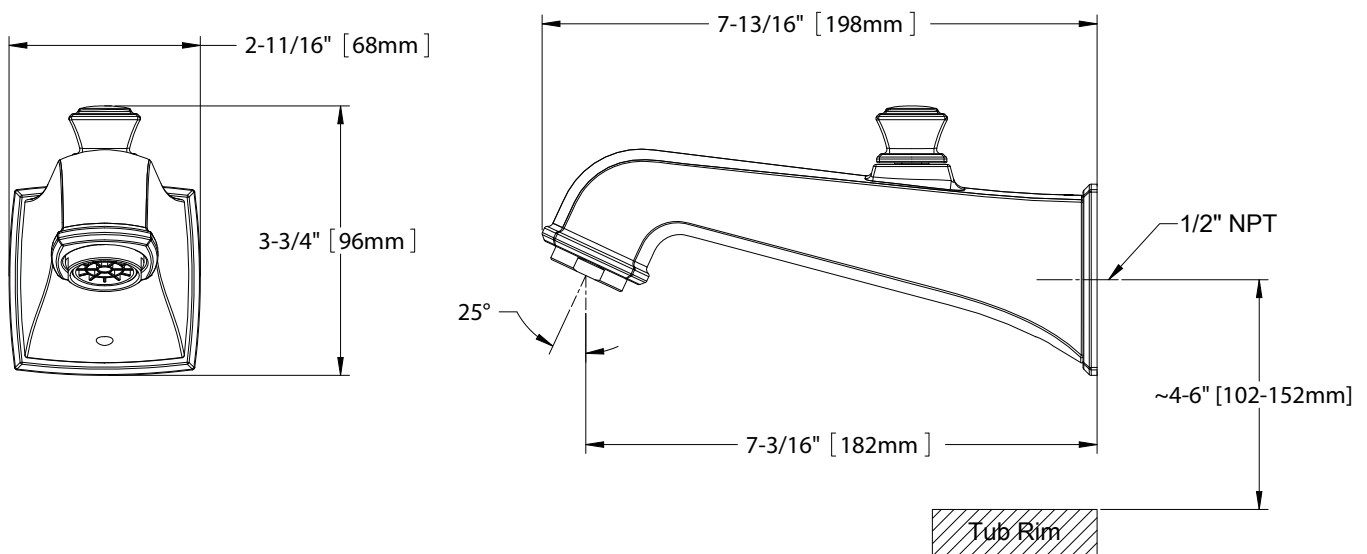
The tub spout shall have an integrated diverter and laminar flow. Product shall feature brass construction. Product shall have 1/2" NPT connection. Product shall be **TOTO Model TS221EV# _____**.

TS221EV

Connelly™ Diverter Tub Spout

SPECIFICATIONS

- Warranty Lifetime Limited Warranty (Residential Use)
One Year (Commercial Use)
- Material Brass
- Shipping Weight 3.0 lbs.
- Shipping Dimensions 9-1/4"L x 4"W x 3-1/2"H



TOTO®

These dimensions and specifications are subject to change without notice