

## Keane™ Three-Way Diverter Trim with Off

### FEATURES

- Lever handle
- Integrated off position
- For use with the three-way diverter valve with off (TSMX)
- To be used in conjunction with a Thermostatic Valve System

### COLORS/FINISHES

- #CP Polished Chrome
- #BN Brushed Nickel
- #PN Polished Nickel

### CODES/STANDARDS

- Meets or exceeds ASME A112.18.1/CSA B125.1
- Certifications: IAPMO(cUPC), State of Massachusetts and others
- Code Compliance: UPC, IPC, NSPC, NPC Canada, and others
- ADA compliant



### PRODUCT SPECIFICATION

Three-way diverter trim with off shall have a lever handle. Product shall have integrated off position. Product shall be **TOTO Model TS211X#\_\_\_\_\_** and required valve shall be **TOTO Model TSMX**, sold separately.

# TS211X

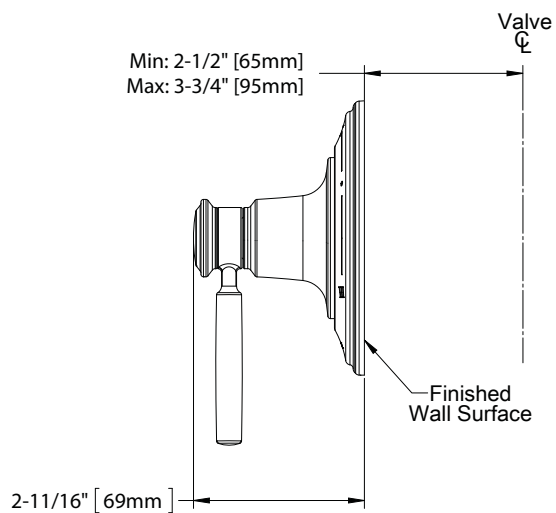
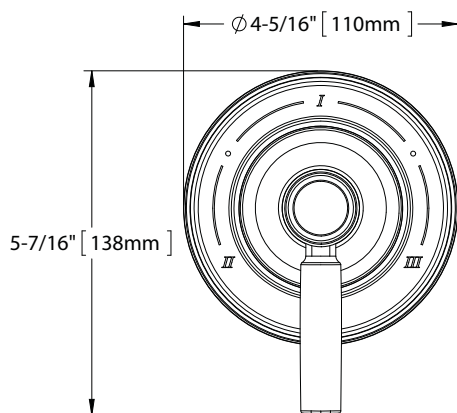
## Keane™ Three-Way Diverter Trim with Off

### SPECIFICATIONS

- Warranty: Lifetime Limited Warranty (Residential Use)  
One Year (Commercial Use)
- Material: Brass
- Shipping Weight: 1.7 lbs.
- Shipping Dimensions: 7"L x 3-3/4"W x 4"H

### INSTALLATION NOTES

VALVE REQUIRED:  
Three-way diverter valve with off, model TSMX,  
sold separately.



**TOTO®**

*These dimensions and specifications are subject to change without notice*