

### FEATURES

---

- Laminar flow
- Brass construction

### COLORS/FINISHES

---

- #CP Polished Chrome
- #BN Brushed Nickel
- #PN Polished Nickel



### CODES/STANDARDS

---

- Meets or exceeds ASME A112.18.1/CSA B125.1
- Certifications: IAPMO(cUPC), State of Massachusetts and others
- Code Compliance: UPC, IPC, NSPC, NPC Canada, and others



### PRODUCT SPECIFICATION

---

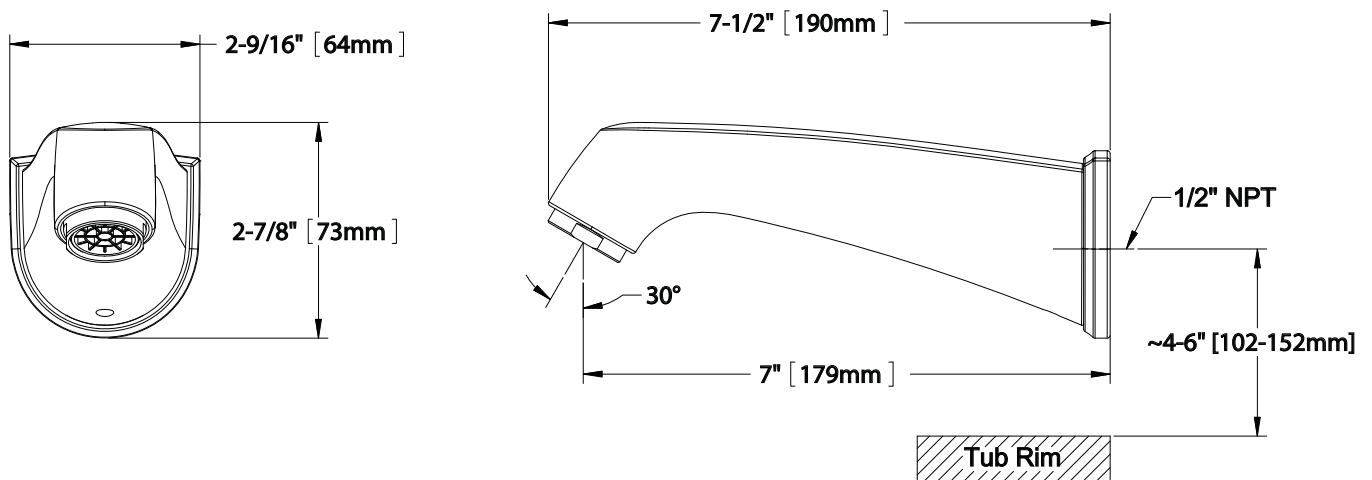
The tub spout shall have a laminar flow. Product shall have brass construction. Product shall be **TOTO Model TS211E#\_\_\_\_\_**.

# TS211E

Keane™ Tub Spout

## SPECIFICATIONS

- Warranty Lifetime Limited Warranty (Residential Use)  
One Year (Commercial Use)
- Material Brass
- Shipping Weight 2.6 lbs.
- Shipping Dimensions 9-1/4"L x 4-1/4"W x 3-1/2"H



**TOTO®**

*These dimensions and specifications are subject to change without notice*