

Keane™ Two-Way Diverter Trim with Off

FEATURES

- Lever handle
- Integrated off position
- For use with the two-way diverter valve with off (TSMV)
- To be used in conjunction with a thermostatic valve system

COLORS/FINISHES

- #CP Polished Chrome
- #BN Brushed Nickel
- #PN Polished Nickel

CODES/STANDARDS

- Meets or exceeds ASME A112.18.1/CSA B125.1
- Certifications: IAPMO(cUPC), State of Massachusetts and others
- Code Compliance: UPC, IPC, NSPC, NPC Canada, and others
- ADA compliant



PRODUCT SPECIFICATION

Two-way diverter trim with off shall have a lever handle. Product shall have integrated off position. Product shall be **TOTO Model TS211D#_____** and required valve shall be **TOTO Model TSMV**, sold separately.

TS211D

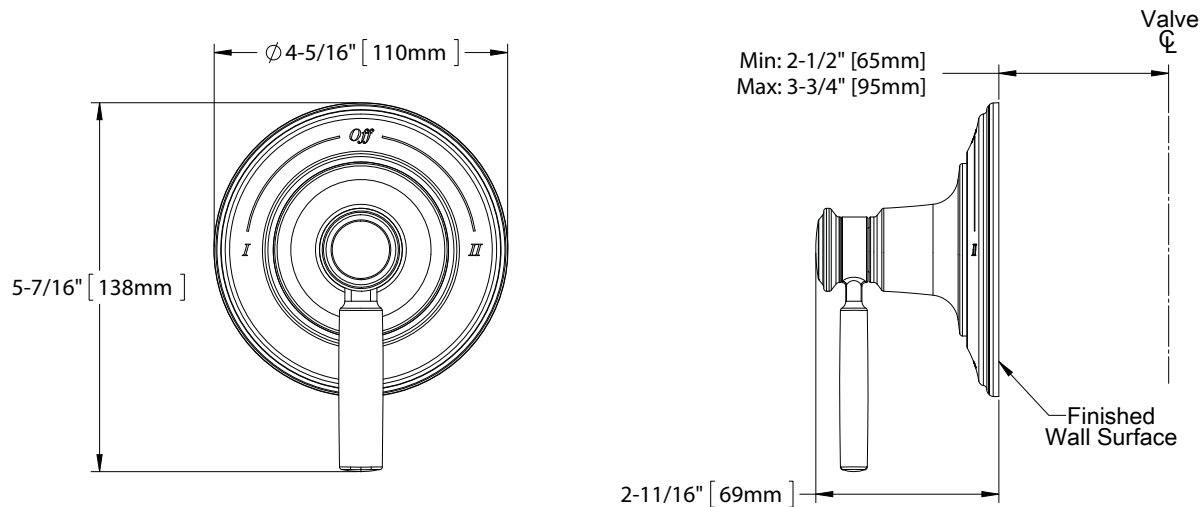
Keane™ Two-Way Diverter Trim with Off

SPECIFICATIONS

- Warranty: Lifetime Limited Warranty (Residential Use)
One Year (Commercial Use)
- Material: Brass
- Shipping Weight: 1.7 lbs.
- Shipping Dimensions: 7"L x 3-3/4"W x 4"H

INSTALLATION NOTES

VALVE REQUIRED:
Two-way diverter valve with off, model TSMV,
sold separately.



TOTO®

These dimensions and specifications are subject to change without notice