

## Keane™ Volume Control Trim

### FEATURES

- Lever handle
- For use with the volume control valve (TSMA)
- Ceramic disk cartridge
- To be used in conjunction with a thermostatic valve system

### COLORS/FINISHES

- #CP Polished Chrome
- #BN Brushed Nickel
- #PN Polished Nickel

### CODES/STANDARDS

- Meets or exceeds ASME A112.18.1/CSA B125.1
- Certifications: IAPMO(cUPC), State of Massachusetts and others
- Code Compliance: UPC, IPC, NSPC, NPC Canada, and others
- ADA compliant



### PRODUCT SPECIFICATION

Volume control trim shall have lever handle. Product shall have ceramic disk cartridge. Product shall be **TOTO Model TS211C#**\_\_\_\_ and required valve shall be **TOTO Model TSMA**, sold separately.

# TS211C

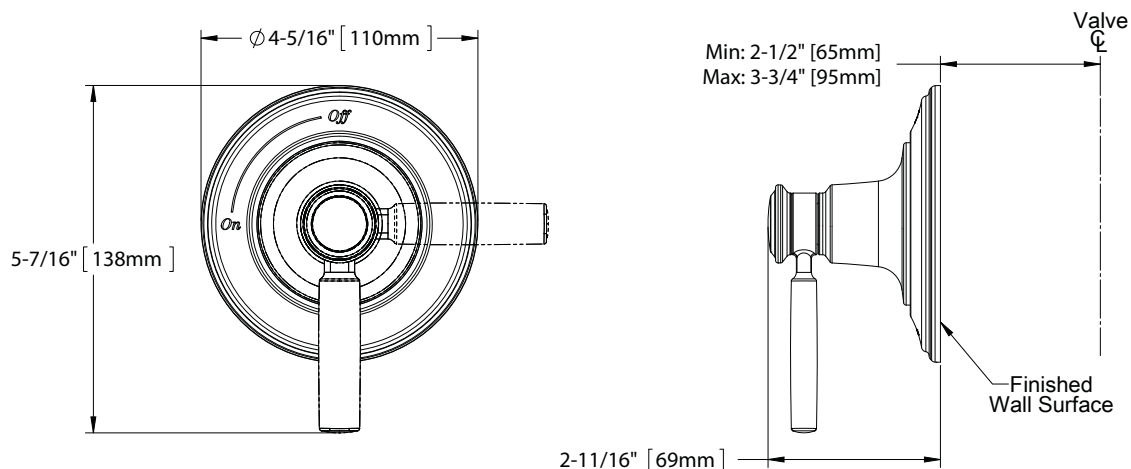
## Keane™ Volume Control Trim

### SPECIFICATIONS

- Warranty Lifetime Limited Warranty (Residential Use)  
One Year (Commercial Use)
- Material Brass
- Shipping Weight 1.6 lbs.
- Shipping Dimensions 7"L x 3-3/4"W x 4"H

### INSTALLATION NOTES

VALVE REQUIRED:  
Volume control valve, model TSMA, sold separately.



**TOTO**®

These dimensions and specifications are subject to change without notice