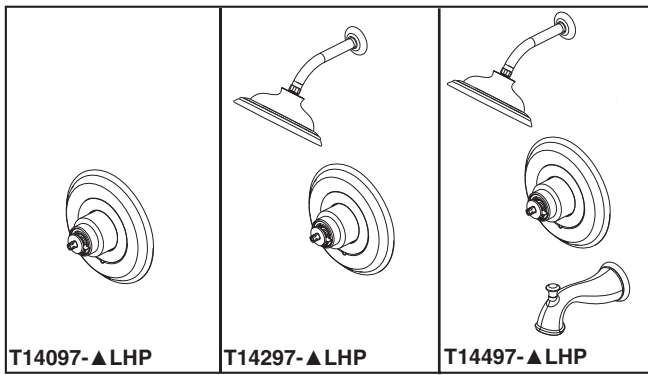




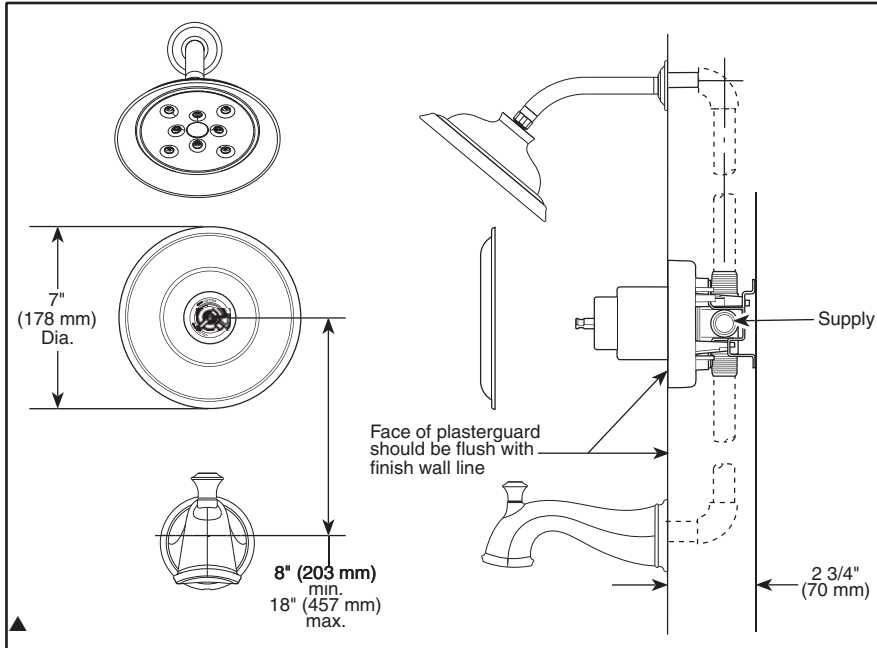
TUB AND SHOWER FAUCET TRIM

- Cassidy™ Series
- Valve Only (T14097 Series)
- Shower Only (T14297 Series)
- Tub/Shower (T14497 Series)



Submitted Model No.: _____

Specific Features: _____



FEATURES:

- Monitor® 14 Series pressure balanced bath mixing valve with Scald-Guard®
- H₂Okinetic Technology®

STANDARD SPECIFICATIONS:

- Maintains a balanced pressure of hot and cold water even when a valve is turned on or off elsewhere in the system
- Must also order MultiChoice® universal rough separately
- Back-to-back installation capability
- Solid brass fabricated body
- Temperature only controlled with handle
- Field adjustable to limit handle rotation into hot water zone
- 120° maximum handle rotation
- For use with automatic compensating valves rated at 7.48 L/Min (1.92 gpm) or less
- All parts replaceable from the front of the valve
- LHP - less handle program - see recommended handle options below
- 2.0 gpm max @ 80 psi, 7.5 L/Min @ 552 kPa
- 1/2" CWT sweat and 1/2" IPS threaded spout adapter

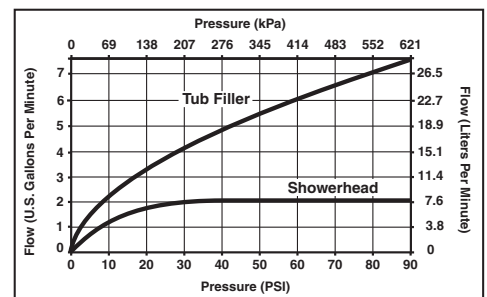
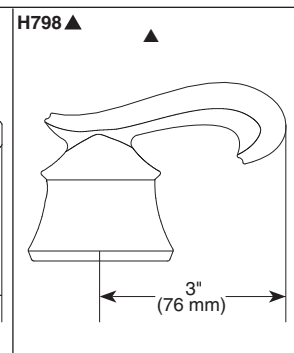
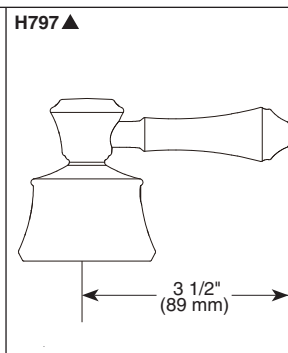
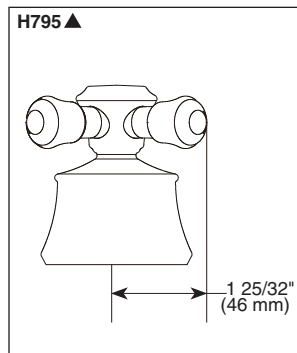
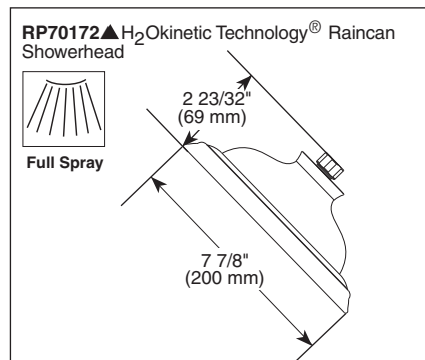
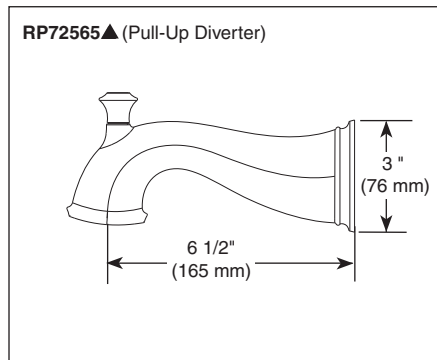
WARRANTY

- Lifetime limited warranty on parts (other than electronic parts and batteries) and finishes: or, for commercial users, for 5 years from date of purchase.
- 5 year limited warranty on electronic parts (other than batteries); or, for commercial users, for 1 year from the date of purchase. No warranty is provided on batteries.



COMPLIES WITH:

- ASME A112.18.1 / CSA B125.1
- ASSE 1016
- EPA WaterSense®



55 E 111th Street, Indianapolis, Indiana 46280
 350 South Edgeware Road, St. Thomas, ON N5P 4L1
 © 2015 Masco Corporation of Indiana

▲ Designate proper finish suffix

Delta reserves the right (1) to make changes in specifications and materials, and (2) to change or discontinue models, both without notice or obligation. Dimensions are for reference only. See current full-line price book or www.deltafaucet.com for finish options and product availability.

DSP-B-T14097-LHP Rev. C