



Location:



Institutional Showerhead, 4-295

Specification Submittal

Model Numbers

- 4-295 Showerhead at 30 degree spray angle with mounting bracket and fasteners

Product Highlights

- Single mode showerhead at 30 degree spray angle
- Adjustable spray pattern
- Vandal resistant
- Standard flow rate is 2.5 gpm (9.5 L/min)
- Polished Chrome finish

Options / Modifications

Append appropriate -suffix to model number.

- 1.5 **CG** 1.5 (5.7 L/min) Flow rate restrictor
- 2.0 2.0 (7.6 L/min) Flow rate restrictor
- 15 15 degree spray angle instead of 30
- A Anchor plate for use with ceramic tile
- B Back plate and bolts for extra thick walls
- OWBJ One way ball joint

Standards / Certifications

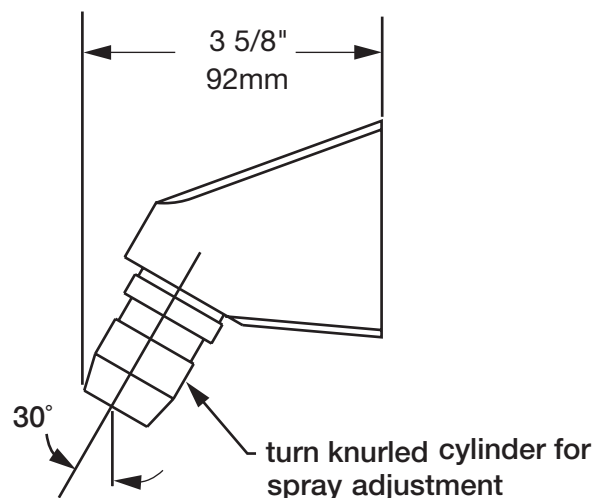
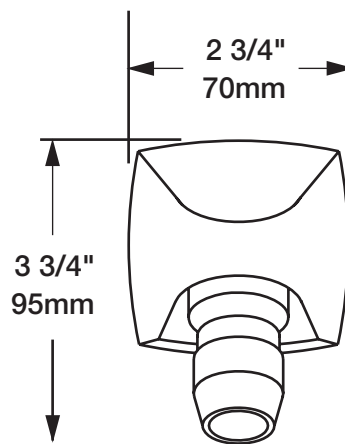
- ASME A112.18.1/CSA B125.1
- WaterSense 1.5 gpm



Warranty

- **Limited Lifetime** - to the original end purchaser in residential / consumer installations.
- **5 years** - for commercial installations

Dimensions Showerhead, 4-295



Note: Dimensions subject to change without notice.

Symmons Industries, Inc. ■ 31 Brooks Drive ■ Braintree, MA 02184
 Phone: (800) 796-6667 ■ Fax: (800) 961-9621
 Website: symmons.com ■ Email: gethelp@symmons.com

Copyright © 2017 Symmons Industries, Inc. ■ ZV-1786 REV A ■ 092117

