

Promenade® Undercounter Lavatory

FEATURES

- 18-1/2" x 14-1/2" Undercounter lavatory
- Front or rear overflow
- Mounting assembly complete with installation template and mounting screw set for wood countertops
- THU410 is required for marble/granite type countertop installation and must be purchased separately

MODELS

- LT533
(#01, #03, #11, #12, #51)

COLORS/FINISHES

- #01 Cotton
- #03 Bone
- #11 Colonial White
- #12 Sedona Beige
- #51 Ebony

CODES/STANDARDS

- Meets and exceeds ASME A112.19.2/CSA B45.1
- Certifications: IAPMO(cUPC), State of Massachusetts, City of Los Angeles, and others
- Meets ADA guidelines and ANSI A117.1 requirements when countertop is installed 864mm (34") from finished floor and lavatory is installed 205mm (8-1/8") minimum from front edge.
- Complies with CA Prop 65 warning requirements



PRODUCT SPECIFICATION

The undercounter lavatory shall be made of vitreous china. Lavatory shall be 18-1/2" in length and 14-1/2" in width. Product shall be with overflow and lavatory shall include mounting assembly. Lavatory shall be TOTO Model LT533_____.

LT533

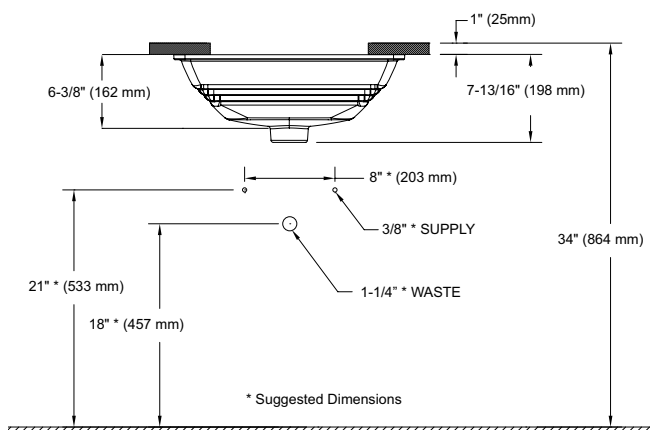
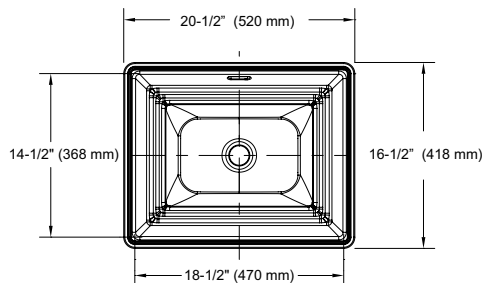
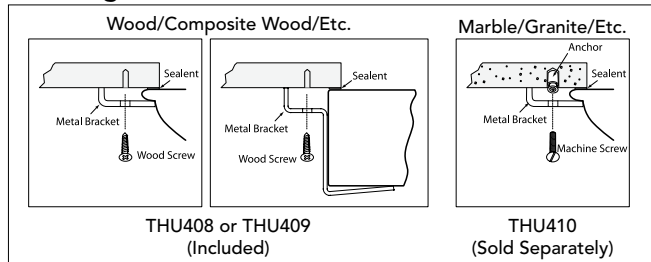
Promenade® Undercounter Lavatory

SPECIFICATIONS

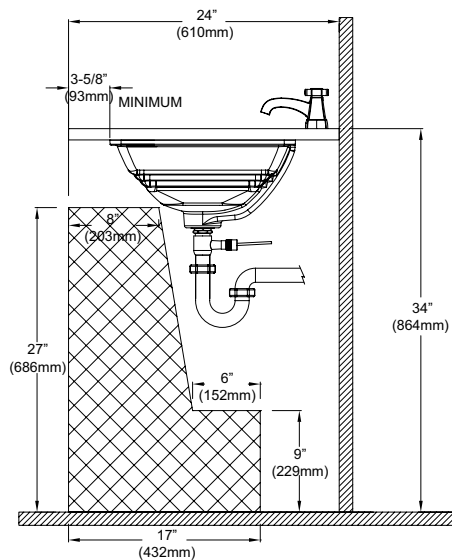
- Waste 1-1/4" O.D.
- Size 20-1/2"W x 16-1/2"D
- Basin 18-1/2"W x 14-1/2"D
- Warranty One Year Limited Warranty
- Material Vitreous china
- Shipping Weight 25 lbs.
- Shipping Dimensions 22-1/4"W X 18-3/4"D X 9-3/4"H"

INSTALLATION NOTES

Mounting Hardware



ADA Compliance Check
Note: Overflow must be at rear



TOTO®

These dimensions and specifications are subject to change without notice