

# TOTO® MS854114E(G)/MS853113E

Eco UltraMax® One-Piece Toilet, 1.28GPF

## FEATURES

- E-Max® flushing system, high efficiency (1.28GPF/4.8LPF)
- Optional CeFiONtect™ ceramic glaze - prevents debris and mold from sticking to ceramic surfaces, leading to fewer chemicals.
- One-piece decorative toilet with high-profile tank
- Chrome trip lever
- Elongated front bowl with SoftClose® seat (SS114) or round front bowl with SoftClose seat (SS113)
- 12" Rough-in

## MODELS

- MS854114EG  
Elongated bowl with CeFiONtect and SoftClose seat (SS114)
- MS854114E  
Elongated bowl with SoftClose seat (SS114)
- MS853113E  
Round bowl with SoftClose seat (SS113)

## COLORS/FINISHES


- Standard
  - #01 Cotton
  - #03 Bone
  - #11 Colonial White
  - #12 Sedona Beige

## PRODUCT SPECIFICATION

The one-piece high efficiency E-Max flushing system toilet shall be 1.28GPF/4.8LPF. Toilet shall be of elongated front bowl (MS854) or round front bowl (MS853) with a high-profile tank and SoftClose seat. Toilet shall have optional CeFiONtect ceramic glaze. Toilet shall have chrome trip lever. Toilet shall be TOTO Model MS85\_\_\_\_\_.



 CeFiONtect

 E+ E-Max

## CODES/STANDARDS

- Meets and exceeds ASME A112.19.2/CSA B45.1
- Certifications: IAPMO(cUPC), EPA Watersense, State of Massachusetts, City of Los Angeles, and others
- Code compliance: UPC, IPC, NSPC, NPC Canada, and others
- Legislative compliance: California AB715, California Green Building Code, City of Los Angeles Water Efficiency Ordinance



# MS854114E(G)/MS853113E

## Eco UltraMax® One-Piece Toilet, 1.28GPF

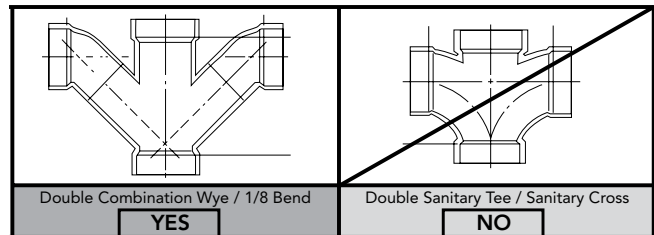
### SPECIFICATIONS

- Water Use 1.28 GPF/4.8 LPF
- Flush System E-Max®
- Min. Water Pressure 8 psi (static)
- Water Surface 10-1/4" x 8-1/4"
- Trap Diameter 2-1/8"
- Rough-in 12"
- Trap Seal 2-3/8"
- Warranty One Year Limited Warranty
- Material Vitreous china
- Shipping Weight MS854114E(G) 93 lbs.  
MS853113E 91 lbs.
- Shipping Dimensions 30-3/4" L x 18-1/8" W  
x 27-1/8" H

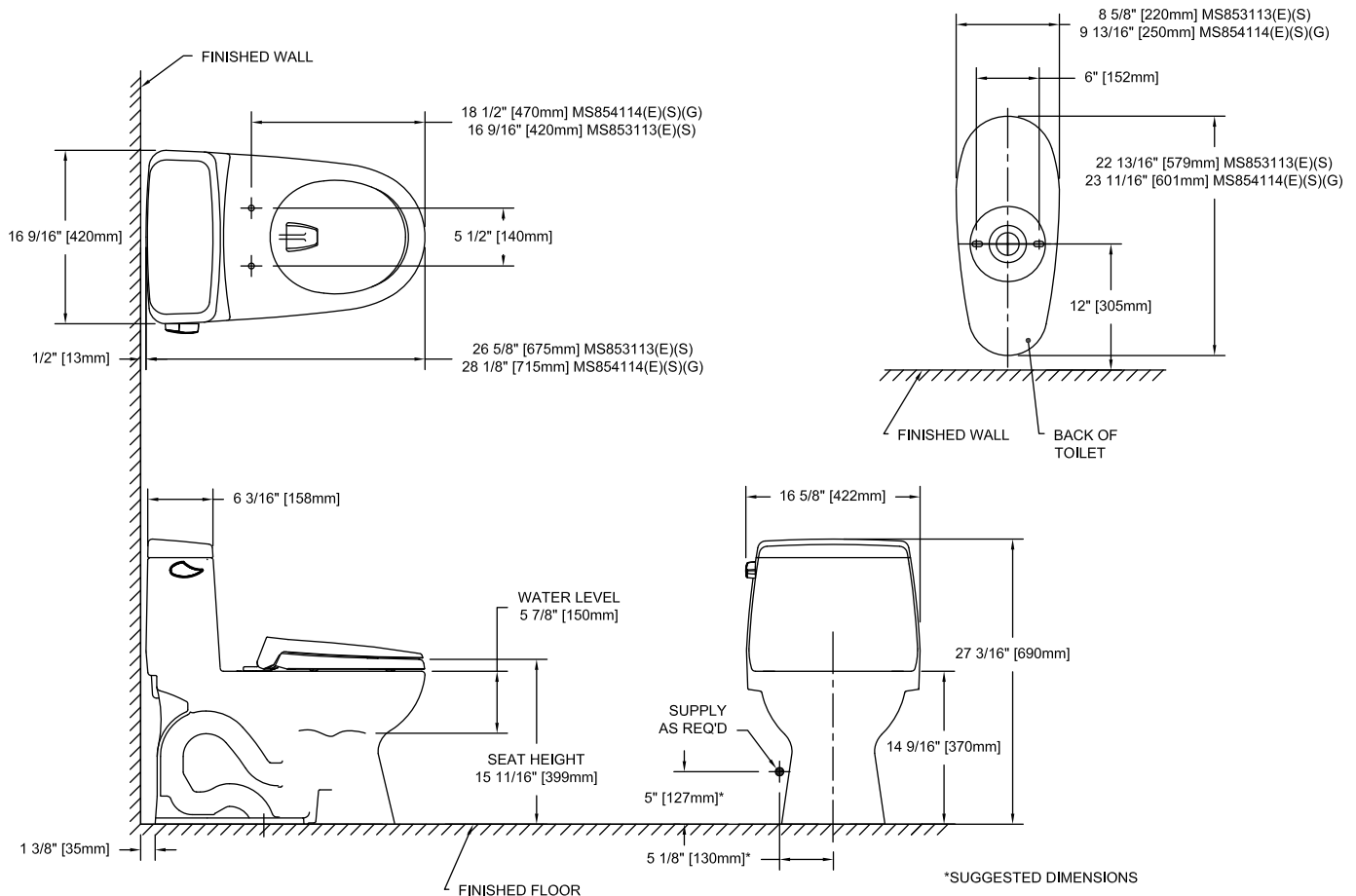
### INSTALLATION NOTES

#### Back-to-Back Toilet Installations:

TOTO recommends the use of a nationally listed, double sanitary tee-wye only, in vertical waste stacks, in accordance with the stipulations noted in the majority of nationally recognized plumbing codes.



To maintain adequate wall gap between the back of the tank and wall, mount the floor flange at a nominal 12" rough-in distance.



**TOTO®**

These dimensions and specifications are subject to change without notice