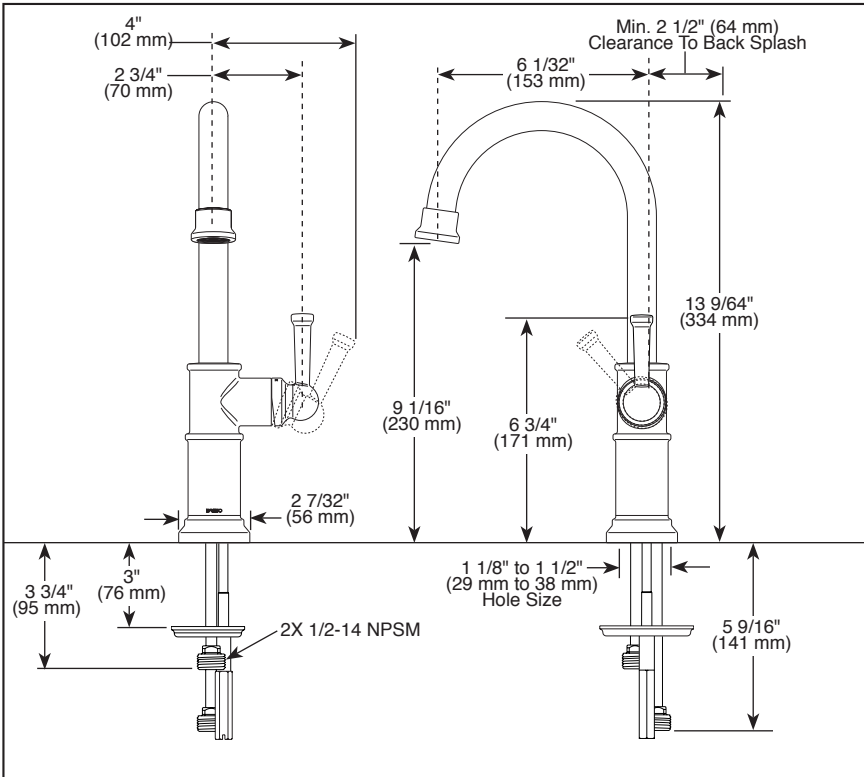


Submitted Model No.: \_\_\_\_\_  
 Specific Features: \_\_\_\_\_



▲ Designate proper finish suffix

# BRIZO®

## BAR SINK FAUCETS

- Arteso™ Collection
- Single Handle Deck Mount
- Single Hole Installation

### STANDARD SPECIFICATIONS:

- Solid brass fabricated body
- 360° rotating spout.
- Ceramic disc cartridge.
- 3" maximum deck thickness.
- 3/8" staggered copper supply lines with 1/2" adapters.
- ADA compliant lever handle.
- Order RP75675 for optional coordinating soap dispenser.
- Maximum flow rate 1.8 gpm @ 60 PSI.

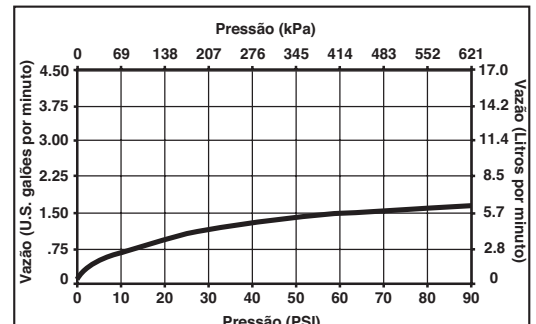
### WARRANTY

- Lifetime limited warranty on parts (other than electronic parts and batteries) and finishes: or, for commercial users, for 5 years from date of purchase.
- 5 year limited warranty on electronic parts (other than batteries); or, for commercial users, for 1 year from the date of purchase. No warranty is provided on batteries.



### COMPLIES WITH:

- ASME A112.18.1 / CSA B125.1
- Indicates compliance to ICC/ANSI A117.1
- Verified compliant with .25% weighted average Pb content regulations.



Delta reserves the right (1) to make changes in specifications and materials, and (2) to change or discontinue models, both without notice or obligation. Dimensions are for reference only. See current full-line price book or [www.brizo.com](http://www.brizo.com) for finish options and product availability.

BSP-K-61025LF Rev. A

**Delta Faucet Company**  
 Indianapolis, Indiana 46280  
 A Division of Masco Corporation of Indiana  
 © 2014 Masco Corporation of Indiana