

SPEAKMAN® SM-3000

Sentinel Mark II® Balance Pressure Valve

FEATURES:

- Sentinel Mark II concealed anti-scald balanced pressure valve.
- Chrome plated brass wall plate with metal index.
- Chrome plated brass lever handle. Independent center sleeve allows up to 1 in. of rough-in variation.
- Adjustable temperature limit stop.
- Brass body.
- Pressure balancing & ceramic temperature regulating cartridge with built-in check valves.
- Can be installed back-to-back.
- Roughing-in template.
- Vandal-resistant standard.
- Four port valve with ½ in. female copper sweat inlets and shower outlet (tub outlet ½ NPT female).
- Furnished with ½ in. pipe plug.

FINISH:



PC

OPTIONS: Add suffix to model

- Integral stops -IS
- Contractor packs available

COMPLIANCE:

- Certified to ASME A112.18.1/CSA B125.1
- Certified to ASSE 1016 standards

WARRANTY:

- 1 Year Limited

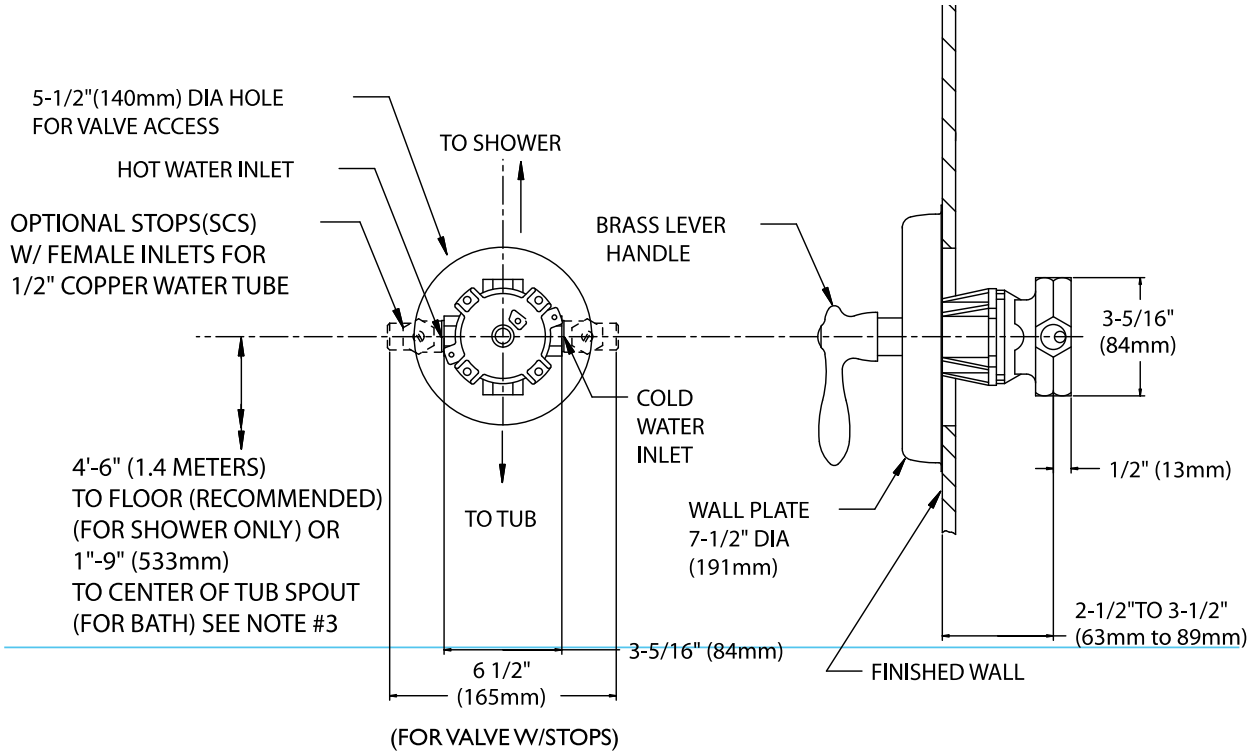


Architect/Engineer Approval Space:

SPEAKMAN
400 ANCHOR MILL ROAD
NEW CASTLE, DE 19720

P: 800-537-2107
F: 800-977-2747
W: WWW.SPEAKMAN.COM
R: JANUARY 2017

DIMENSIONS: NOTE: 1. All dimensions are in inches (millimeters) unless otherwise specified and are subject to change without notice. 2. Unless otherwise specified all inlets and outlets are 1/2" female copper sweat. 3. For ADA mounting locations consult ADAAG, ANSI A117.1, or state regulations.



Architect/Engineer Approval Space:

SPEAKMAN
400 ANCHOR MILL ROAD
NEW CASTLE, DE 19720

P: 800-537-2107
F: 800-977-2747
W: WWW.SPEAKMAN.COM
R: JANUARY 2017