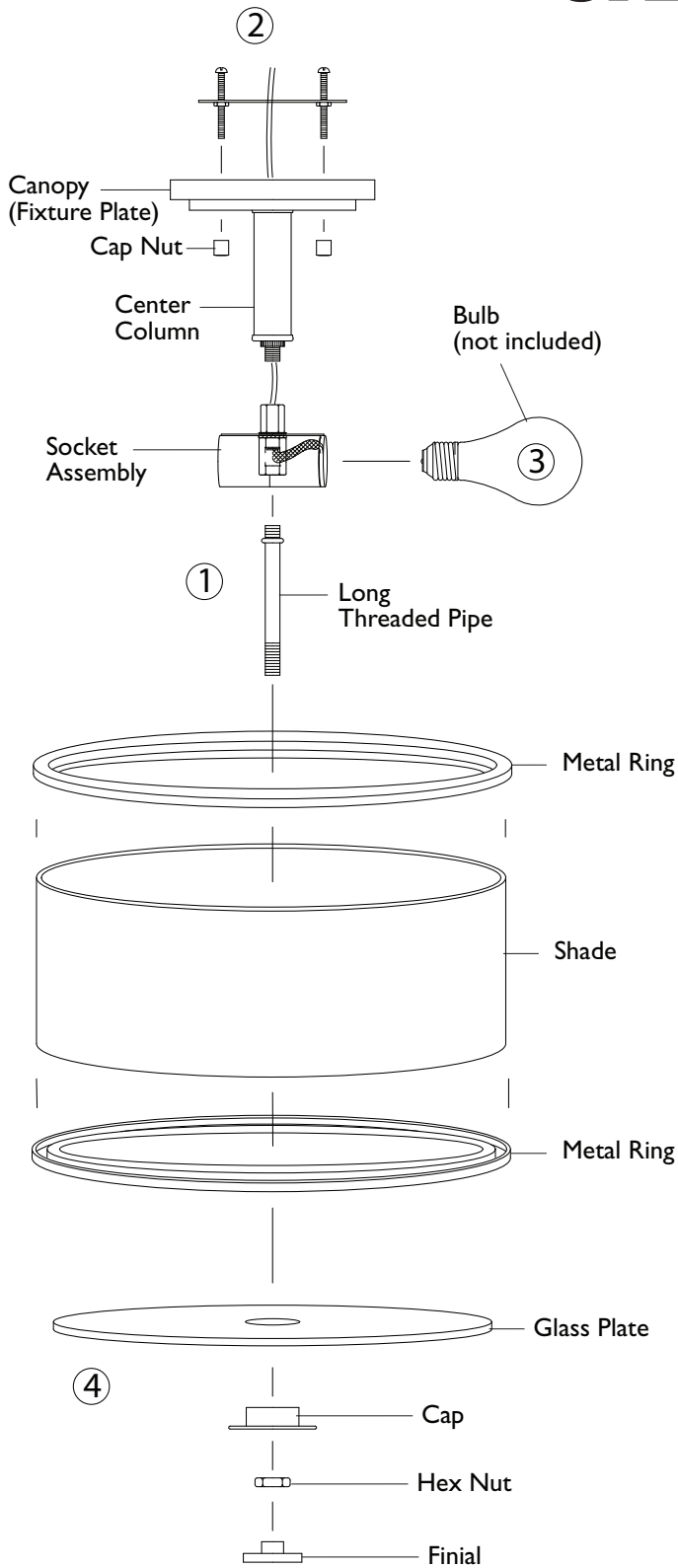


Assembly Instructions For

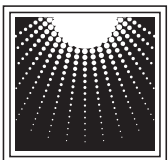
SF251 (E) 4/08



**IMPORTANT
TURN OFF THE POWER AT THE MAIN FUSE OR
CIRCUIT BREAKER BOX
BEFORE STARTING INSTALLATION**

Carefully unpack and identify all parts before assembly.
Bulb not included.

1. Screw long threaded pipe into coupler located at bottom of socket assembly. Note correct position of threaded pipe at illustration.
2. Follow enclosed supplement installation instructions for electrical and fixture installation onto house outlet box. If you do not have an outlet box at desired location to attach the fixture than hire a qualified electrician to create one.
3. Install light bulb (not included). See relamping label located near socket area for type and maximum allowed wattage.
4. A. Place metal ring onto glass plate. Then place shade. And then place another ring on top of shade.
B. While holding firmly onto glass plate, slip the assembled parts through the long threaded pipe. And then slip cap and lock them in position by fastening with a hex nut.
C. Install finial by screwing onto protruding threaded pipe.



**MURRAY
FEISS**

Generation Brands™