

SPEAKMAN® SEF-2001

Eyesaver® Retrofit Faucet with Integrated Eyewash

The Speakman SEF-2001 is a NSF 61 compliant laboratory faucet with an integrated ANSI compliant aerated eyewash. Dedicated water ways allow the faucet and eyewash to work independently of each other.

EYEWASH FEATURES:

- Lift handle activator
- Aerated chrome plated spray outlets with flip-top dust caps
- 2.8 gpm/10.6L/min @ 30 psi flow rate.
- Dedicated water channel for eyewash
- Tepid water ready
- 3/8 in. male compression connection

FAUCET FEATURES:

- Lead-free brass construction
- Swivel or rigid spout up to 100 degrees
- Gooseneck faucet with independently operated eyewash
- 1.5 gpm (5.7 L/min) flow rate
- 3/8 in. male compression connections for hot & cold inlets

COMPLIANCE:

- ASME A112.18.1/CSA B125 certified
- NSF 61 certified (excludes ST option)
- NSF 372 certified (excludes ST option)
- ANSI/ISEA Z358.1 certified

OPTIONS: Add suffix to model

- 8 in. gooseneck spout - 8
- Vandal resistant 0.5 gpm flow control -BO
- Laminar flow outlet 1.5 gpm -LF
- Non-aerated eyewash outlets -NA
- Serrated tip with vacuum breaker (not NSF 372 or NSF 61 compliant) -ST
- SE-370 Thermostatic mixing valve -TW

WARRANTY:

- 3 year limited



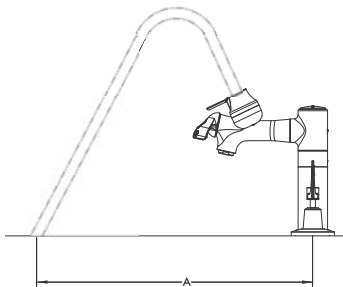
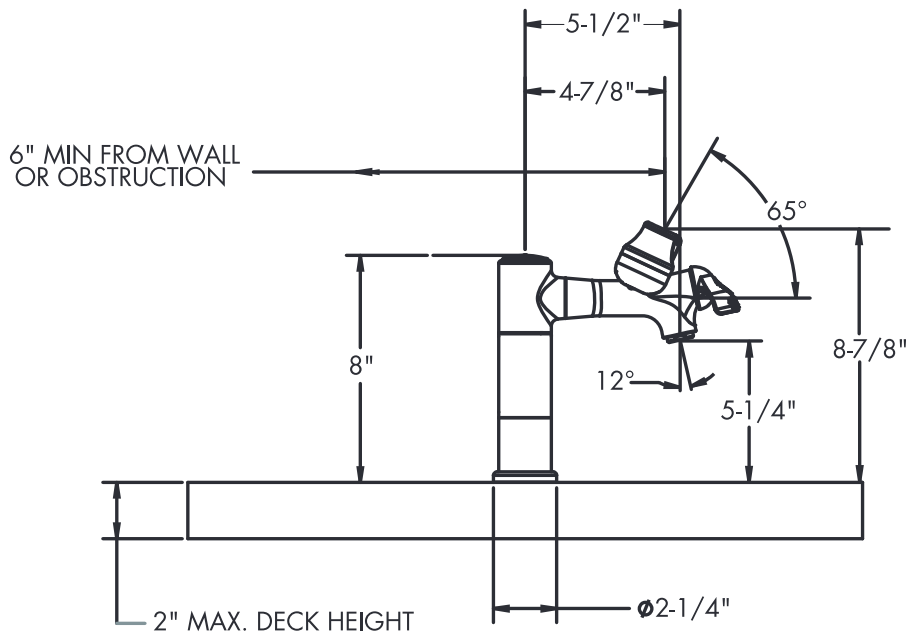
Patented design

Architect/Engineer Approval Space:

SPEAKMAN
400 ANCHOR MILL ROAD
NEW CASTLE, DE 19720

P: 800-537-2107
F: 800-977-2747
W: WWW.SPEAKMAN.COM
R: JULY 2017

SEF-2001 SIDE VIEW (LESS HOSES)



SEF-2001 Spray Plume Length and Flow

| Flowing Pressure | 30 psi 2.07 Bar | 40 psi 2.76 Bar | 50 psi 3.45 Bar | 60 psi 4.14 Bar | 70 psi 4.83 Bar | 80 psi 5.52 Bar |
|-------------------------------|-----------------------|-----------------------|-----------------------|------------------------|------------------------|------------------------|
| Flow Rate | 2.14 gpm 8.1 L/min | 2.25 gpm 8.5 L/min | 2.49 gpm 9.4 L/min | 2.70 gpm 10.2 L/min | 2.95 gpm 11.2 L/min | 3.09 gpm 11.7 L/min |
| Eyewash Distance Plume "A" | 12" 30.5 cm | 13" 33.0 cm | 15" 38.1 cm | 18" 45.7 cm | 21" 53.3 cm | 24" 61.0 cm |

SEF-2001-8 Spray Plume Length and Flow

| Flowing Pressure | 30 psi 2.07 Bar | 40 psi 2.76 Bar | 50 psi 3.45 Bar | 60 psi 4.14 Bar | 70 psi 4.83 Bar | 80 psi 5.52 Bar |
|-------------------------------|-----------------------|-----------------------|-----------------------|------------------------|------------------------|------------------------|
| Flow Rate | 2.15 gpm 8.1 L/min | 2.24 gpm 8.5 L/min | 2.47 gpm 9.3 L/min | 2.71 gpm 10.3 L/min | 2.95 gpm 11.2 L/min | 3.13 gpm 11.8 L/min |
| Eyewash Distance Plume "A" | 17" 43.2 cm | 18" 45.7 cm | 20" 50.8 cm | 23" 58.4 cm | 27" 68.6 cm | 29" 73.7 cm |

Architect/Engineer Approval Space:

SPEAKMAN
400 ANCHOR MILL ROAD
NEW CASTLE, DE 19720

P: 800-537-2107
F: 800-977-2747
W: WWW.SPEAKMAN.COM
R: JULY 2017