

# SPEAKMAN® SE-4930

## Gravityflo® Freeze Protected Jacket

### MODELS:

- SE-4930: Gravityflo® freeze protected jacket

### FEATURES:

- For use with SE-4300 to provide tepid water to flush the eyes
- Water-resistant insulating jacket with zipper for ease of assembly and access
- LCD temperature readout
- Keeps water tepid down to ambient temperatures of -10°F (-23°C)
- Heater: 120VAC/3 amps; 200 W heating pads
- Includes ground fault plug with reset

### COMPLIANCE:

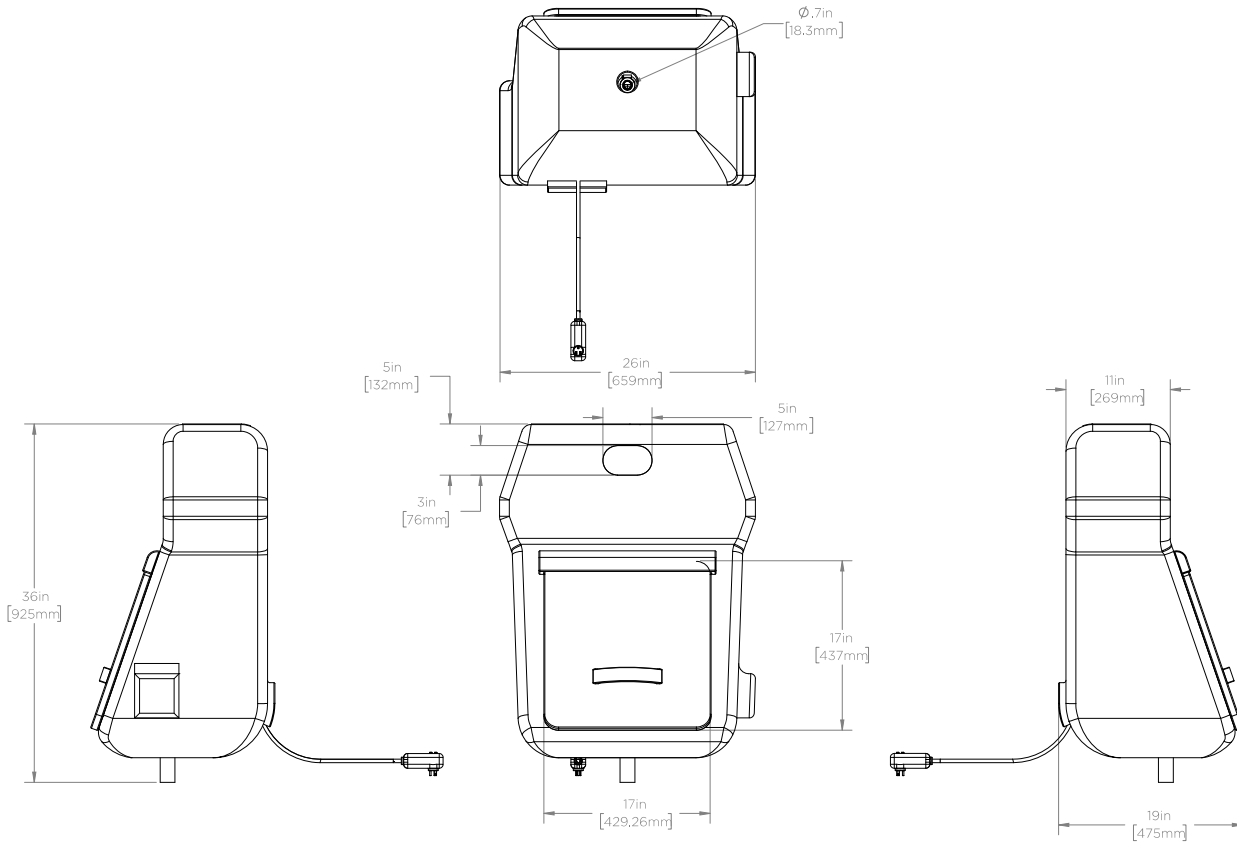
- UL499/CSA B22.2

### WARRANTY:

- 3 year limited



**DIMENSIONS:** NOTE: 1. All dimensions are in inches (millimeters) unless otherwise specified and are subject to change without notice.  
2. Product is shown fully installed onto the SE-4300.



Architect/Engineer Approval Space:

SPEAKMAN  
400 ANCHOR MILL ROAD  
NEW CASTLE, DE 19720

P: 800-537-2107  
F: 800-977-2747  
W: WWW.SPEAKMAN.COM  
R: JULY 2017