

Commander® Service Sink Faucet

MODELS:

- ❑ SC-5811: Polished chrome plated Commander service sink
- ❑ SC-5811-RCP: Rough chrome plated Commander service sink

FEATURES:

- Chrome plated cast brass Commander service sink fitting with 1/4 turn ceramic cartridges.
- Integral stops. Cast brass nozzle with 3/4 in. hose thread and pail hook.
- Brass vacuum breaker.
- Brass top brace assembly with wall flange and mounting screws.
- Distance from finished wall to nozzle outlet is 9 in.
- 8 in. centers with adjustable threaded brass wall flanges provide +/- 1/4 in. adjustments.
- 1/2 in. NPTF inlets.
- Vandal-resistant four-arm handles with color-coded indexes.

COMPLIANCE:

- ASME A112.18.1/CSA B125.1 certified
- ASSE-1001 certified

FINISH:



PC RCP

ADD-ONS: Add suffix to model

- Check valves in swivel assembly
 - 5 ft. vinyl hose with wall hook
 - Safety eyewash attachment
 - 4in. wrist blade handle kit: 2 chrome plated brass handles, 2 screws, 2 lock washers, red & blue index buttons
- ❑ A-CK
 - ❑ A-5H
 - ❑ SEF-9200

 - ❑ A-4WRIST

WARRANTY:

- 5 Year Limited



SC-5811-RCP



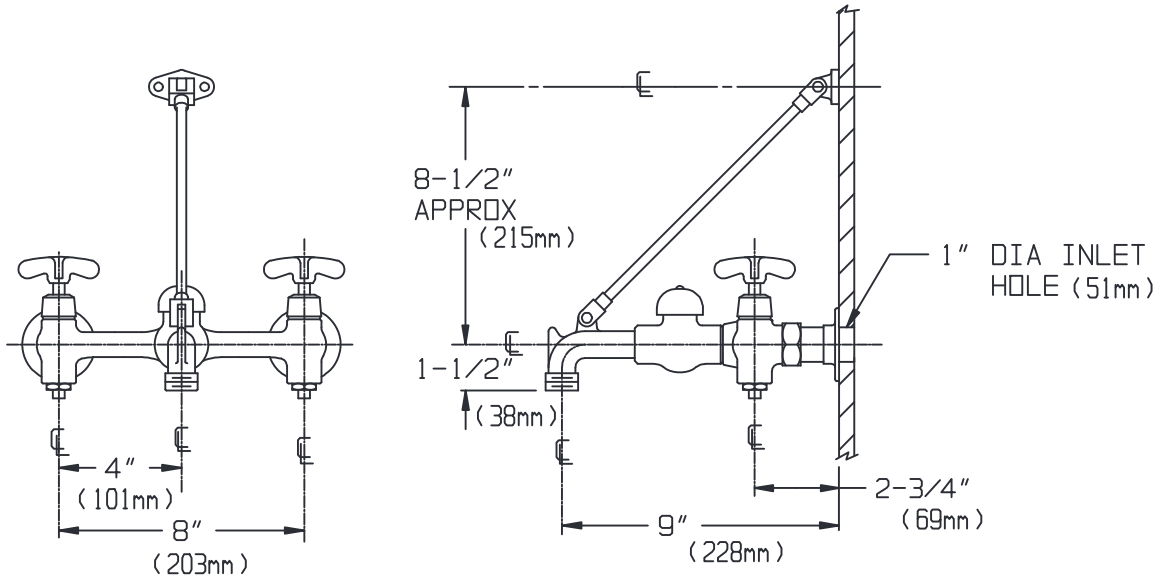
Architect/Engineer Approval Space:

SPEAKMAN
400 ANCHOR MILL ROAD
NEW CASTLE, DE 19720

P: 800-537-2107
F: 800-977-2747
W: WWW.SPEAKMAN.COM
R: OCTOBER 2017

469

DIMENSIONS: NOTE: 1. All dimensions are in inches (millimeters) unless otherwise specified and are subject to change without notice.
2. All inlets are 1/2" NPT female.



Architect/Engineer Approval Space:

SPEAKMAN
400 ANCHOR MILL ROAD
NEW CASTLE, DE 19720

P: 800-537-2107
F: 800-977-2747
W: WWW.SPEAKMAN.COM
R: OCTOBER 2017

Management Systems Registered to ISO 9001