

SPEAKMAN® SC-7122-E

Commander® Double Handle Laboratory Gooseneck Faucet

FEATURES:

- Polished chrome plated brass deck mounted faucet
- ½ in. NPSM inlets with coupling nuts
- Accommodates installations up to 2 1/4 in. thick
- 5-1/4" deep gooseneck spout, rigid or swivel
- Vandal-resistant flow control non-aerated outlet reduces flow to 0.5 gpm (1.89 L/min).

COMPLIANCE:

- ASME A112.18.1/CSA B125.1 certified
- NSF/ANSI 61 certified
- NSF 372 certified

FINISH:



PC

ADD-ON:

- Cross handle kit
- 4 in. wrist blade handle kit
- 1.2 gpm faucet aerator
- 1.2 gpm faucet laminar flow control outlet
- 0.35 gpm flow control non-aerated outlet

WARRANTY:

- 5 Year Limited



- A-CROSS
- A-4WRIST
- A-EA12
- A-ELF
- A-FC35



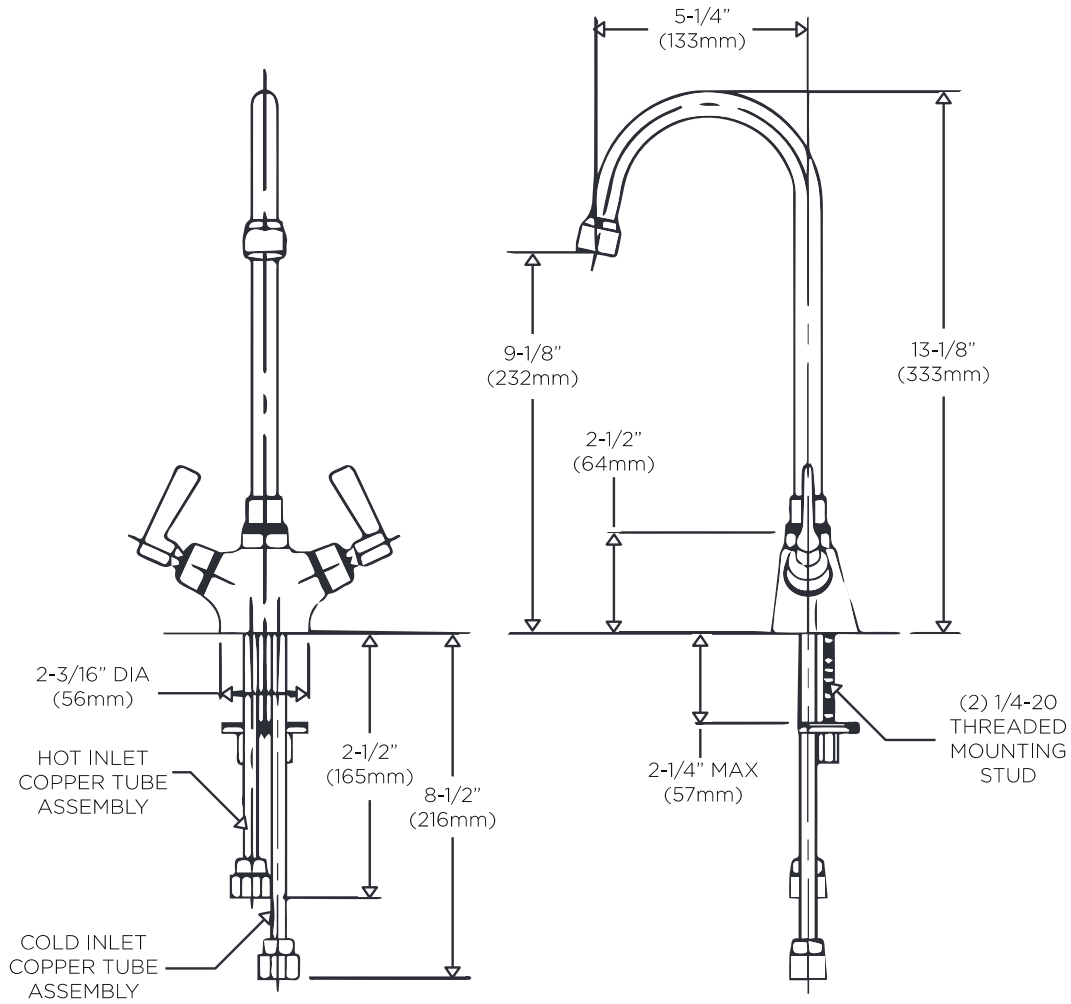
Architect/Engineer Approval Space:

SPEAKMAN
400 ANCHOR MILL ROAD
NEW CASTLE, DE 19720

P: 800-537-2107
F: 800-977-2747
W: WWW.SPEAKMAN.COM
R: OCTOBER 2017

475

DIMENSIONS: NOTE: 1. All dimensions are in inches (millimeters) unless otherwise specified and are subject to change without notice.
2. All inlets are sized for coupling connections.



Architect/Engineer Approval Space:

SPEAKMAN
400 ANCHOR MILL ROAD
NEW CASTLE, DE 19720

P: 800-537-2107
F: 800-977-2747
W: WWW.SPEAKMAN.COM
R: OCTOBER 2017